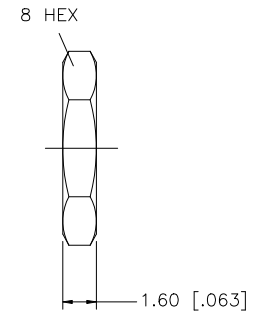
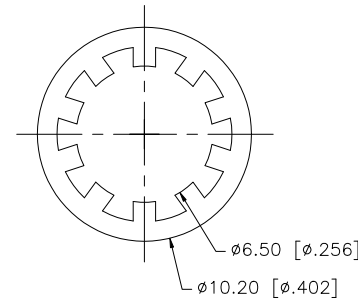
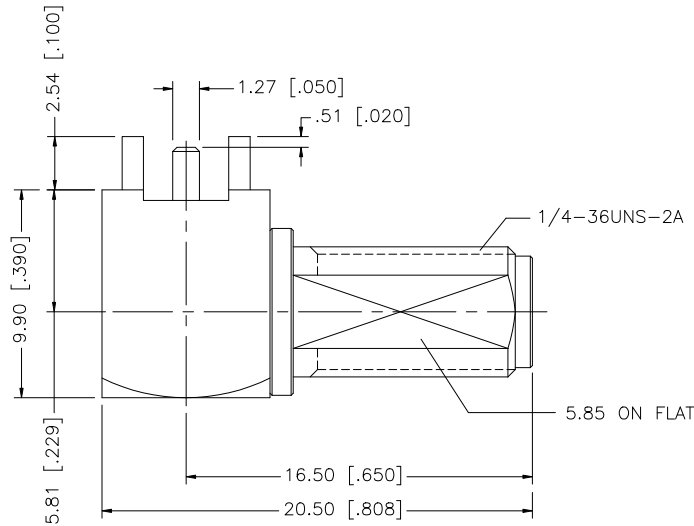
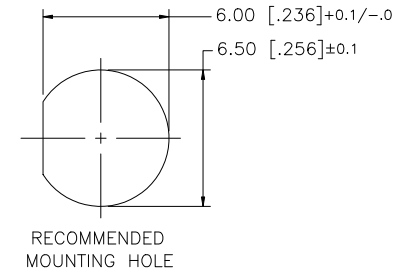
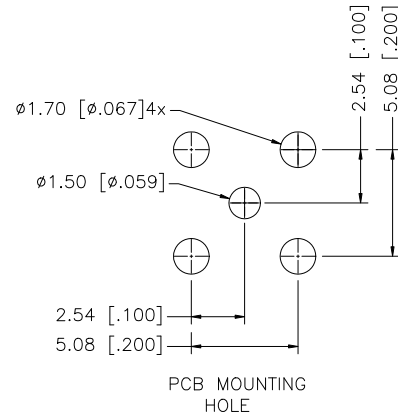
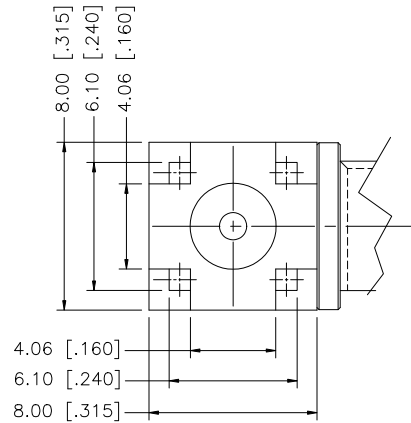


REV.	DATE	ECR NO.	DESCRIPTION
NC	03/31/09	-	INITIAL RELEASE



QTY	DESCRIPTION	MATERIAL	FINISH
1	HOUSING/BODY	BRASS	GOLD
1	INSULATOR	PTFE	NATURAL
1	CONTACT PIN	BER. COPPER	GOLD
1	LOCK WASHER	BRASS	GOLD
1	HEX NUT	BRASS	GOLD

UNLESS OTHERWISE SPECIFIED DIMENSIONS ARE IN MILLIMETERS. DIMENSIONS IN [] ARE IN INCHES AND FOR CUSTOMER REFERENCE ONLY.

UNLESS OTHERWISE SPECIFIED TOLERANCES FOR MILLIMETERS ARE:
0.5 - 8mm ± 0.20mm
8 - 30mm ± 0.40mm
30 - 120mm ± 0.50mm

UNLESS OTHERWISE SPECIFIED TOLERANCES FOR INCHES ARE:
.020 - .315 = ± 0.007"
.315 - 1.180 = ± 0.015"
1.180 - 4.724 = ± 0.020"

DO NOT SCALE DRAWING

APPROVALS	DATE
DRAWN G.R.S.	03/31/09
CHECKED	
ISSUED	
SHEET 1 OF 1	
CAD FILE C:/132/132203-17.DWG	

PART DESCRIPTION			
Amphenol Connex			
SMA R/A BULKHEAD P.C. MOUNT JACK (SHORT BODY CONTACT)			
PART NO. 132203-17			
DWG. NO.	REV.	SIZE	SCALE
132203-17.DWG	NC	A	NA