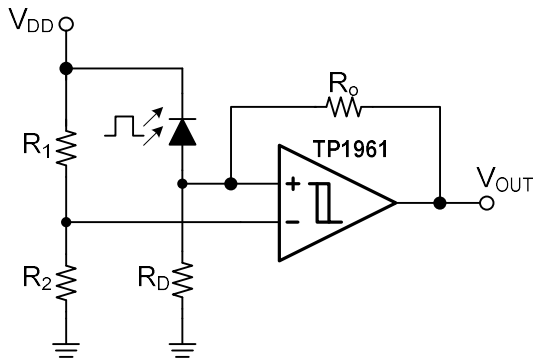


Features

- Ultra-Fast, 7ns Propagation Delay
- Ideal for +3V and +5V Single-Supply Applications
- Offset Voltage: ± 6.0 mV Maximum
- Rail to Rail Input and Output
- 7.5mV Internal Hysteresis for Clean Switching
- Push-Pull, CMOS/TTL Compatible Output
- Input Common-Mode Range Extends 300 mV
- No Phase Reversal for Overdriven Inputs
- Shut-down Function (TP1961N Only)
- Supply Voltage: 2.5V to 5.5V
- Green, Space-Saving SOT23-5 Package Available

Applications

- High-speed Line or Digital Line Receivers
- High Speed Sampling Circuits
- Peak and Zero-crossing Detectors
- Threshold Detectors/Discriminators
- Sensing at Ground or Supply Line
- Logic Level Shifting or Translation
- Window Comparators
- IR Receivers
- Clock and Data Signal Restoration
- Telecom, Portable Communications



The TP1961 Comparator in IR Receivers

Description

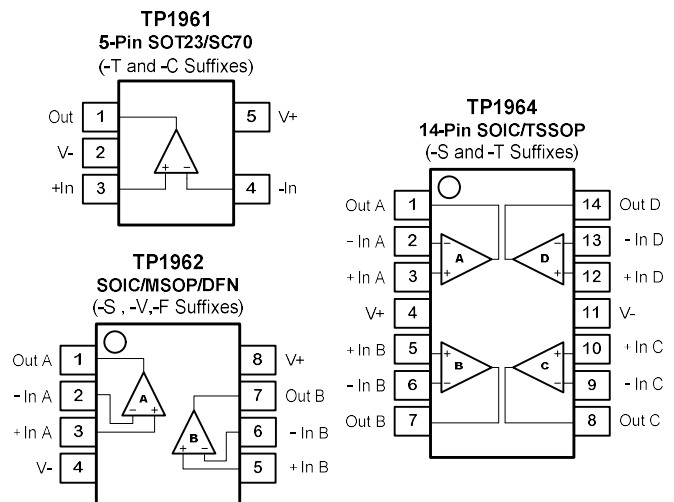
The TP1961/TP1962/TP1964 are low-power, ultra-high-speed comparators with internal hysteresis. These devices are optimized for single +3V or +5V operation. The input common-mode range extends 300mV beyond the rail, and the outputs can sink or source 4mA to within 80mV of GND and VCC. Propagation delay is 7ns (50mV overdrive), while supply current is 1mA per comparator.

The internal input hysteresis eliminates output switching due to internal input noise voltage, reducing current draw. The push-pull output supports rail-to-rail output swing, and interfaces with CMOS/TTL logic. The output toggle frequency can reach a typical of 50 MHz while limiting supply current surges and dynamic power consumption during switching.

The TP1961 single comparators are available in shut-down function, and the tiny SOT23 package for space-conservative designs. All devices are specified for the temperature range of -40°C to $+85^{\circ}\text{C}$.

3PEAK and the 3PEAK logo are registered trademarks of 3PEAK INCORPORATED. All other trademarks are the property of their respective owners.

Pin Configuration (Top View)



TP1961/ TP1962/TP1964

7ns, 1/2/4, Ultra-High-Speed, +3V/+5V, Beyond-the-Rails Comparators

Order Information

Model Name	Order Number	Package	Transport Media, Quantity	Marking Information
TP1961	TP1961-TR	5-Pin SOT23	Tape and Reel, 3000	TP1961
	TP1961-CR	5-Pin SC70	Tape and Reel, 3000	TP1961
TP1962	TP1962-SR	8-Pin SOIC	Tape and Reel, 4000	TP1962
	TP1962-VR	8-Pin MSOP	Tape and Reel, 3000	TP1962
	TP1962-FR	8-Pin DFN	Tape and Reel, 3000	TP1962
TP1964	TP1964-SR	14-Pin SOIC	Tape and Reel, 2500	TP1964
	TP1964-TR	14-Pin TSSOP	Tape and Reel, 3000	TP1964

Absolute Maximum Ratings Note 1

Supply Voltage: $V^+ - V^-$ 7.0V
Input Voltage $V^- - 0.3$ to $V^+ + 0.3$
Input Current: +IN, -IN, Note 2 ± 20 mA
Output Current: OUT ± 160 mA
Output Short-Circuit Duration Note 3 Infinite

Operating Temperature Range -40°C to 125°C
Maximum Junction Temperature 150°C
Storage Temperature Range -65°C to 150°C
Lead Temperature (Soldering, 10 sec) 260°C

Note 1: Stresses beyond those listed under Absolute Maximum Ratings may cause permanent damage to the device. Exposure to any Absolute Maximum Rating condition for extended periods may affect device reliability and lifetime.

Note 2: The inputs are protected by ESD protection diodes to each power supply. If the input extends more than 500mV beyond the power supply, the input current should be limited to less than 10mA.

Note 3: A heat sink may be required to keep the junction temperature below the absolute maximum. This depends on the power supply voltage and how many amplifiers are shorted. Thermal resistance varies with the amount of PC board metal connected to the package. The specified values are for short traces connected to the leads.

ESD, Electrostatic Discharge Protection

Symbol	Parameter	Condition	Minimum Level	Unit
HBM	Human Body Model ESD	MIL-STD-883H Method 3015.8	4	kV
CDM	Charged Device Model ESD	JEDEC-EIA/JESD22-C101E	2	kV

Electrical Characteristics

The ● denotes the specifications which apply over the full operating temperature range, otherwise specifications are at T_A = 27°C. V_{DD} = +2.5V to +5.5V, V_{IN+} = V_{DD}, V_{IN-} = 1.2V, R_{PU}=10kΩ, C_L =15pF.

SYMBOL	PARAMETER	CONDITIONS	MIN	TYP	MAX	UNITS
V _{DD}	Supply Voltage		● 2.5		5.5	V
V _{OS}	Input Offset Voltage ^{Note 1}	V _{CM} = 1.2V	-6	±2	+6	mV
V _{OS TC}	Input Offset Voltage Drift ^{Note 1}	V _{CM} = 1.2V		0.3		μV/°C
V _{HYST}	Input Hysteresis Voltage ^{Note 1}	V _{CM} = 1.2V		7.5		mV
V _{Trip+}	Input Referred Positive Trip Point			3.5	8	mV
V _{Trip-}	Input Referred Negative Trip Point		-8	-4		mV
I _B	Input Bias Current	V _{CM} = 1.2V		6		pA
I _{OS}	Input Offset Current			4		pA
R _{IN}	Input Resistance			> 100		GΩ
C _{IN}	Input Capacitance	Differential Common Mode		2.7 1		pF
CMRR	Common Mode Rejection Ratio	V _{CM} = V _{SS} to V _{DD}		110		dB
V _{CM}	Common-mode Input Voltage Range		V _{SS} -0.1		V _{DD} +0.1	V
PSRR	Power Supply Rejection Ratio			110		dB
V _{OH}	High-Level Output Voltage	I _{OUT} =4mA, V _{ID} = 500 mV	● V _{DD} -0.2	V _{DD} -0.2		V
		I _{OUT} =0.4mA, V _{ID} = 500 mV	V _{DD} -0.02	V _{DD} -0.05		
V _{OL}	Low-Level Output Voltage	I _{OUT} =-4mA, V _{ID} = 500 mV	● 80	180		mV
		I _{OUT} =-0.4mA, V _{ID} = 500 mV	10	50		mV
I _{SC}	Output Short-Circuit Current	Sink or source current		100		mA
I _Q	Quiescent Current per Comparator			2.4		mA
t _R	Rising Time			1	2	ns
t _F	Falling Time			1	2	ns
T _{PD+}	Propagation Delay (Low-to-High) ^{Note2}	Overdrive=5mV, V _{IN-} =1.2V		16		ns
		Overdrive=15mV, V _{IN-} =1.2V		12		ns
		Overdrive=50mV, V _{IN-} =1.2V		7	19	ns
T _{PD-}	Propagation Delay (High-to-Low) ^{Note2}	Overdrive=5mV, V _{IN-} =1.2V		16		ns
		Overdrive=15mV, V _{IN-} =1.2V		12		ns
		Overdrive=50mV, V _{IN-} =1.2V		7	19	ns
T _{PD-SKEW}	Propagation Delay Skew	Overdrive=100mV, V _{IN-} =1.2V		0.4		ns

Note 1: The input offset voltage is the average of the input-referred trip points. The input hysteresis is the difference between the input-referred trip points.

Note 2: Propagation Delay Skew is defined as: t_{PD-SKEW} = t_{PD+} - t_{PD-}.

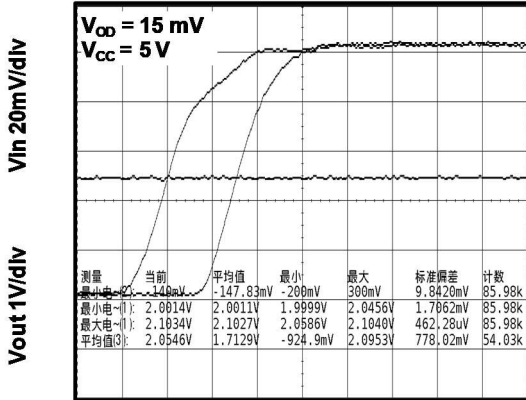
TP1961/ TP1962/TP1964

7ns, 1/2/4, Ultra-High-Speed, +3V/+5V, Beyond-the-Rails Comparators

Typical Performance Characteristics

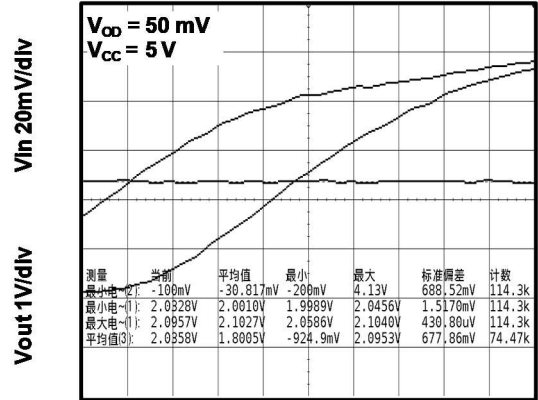
$V_S = 5V$, $C_L = 10pF$, and $V_{CM} = V_S/2$, $T_A = 25^\circ C$, unless otherwise specified.

Propagation Delay (t_{PD+})



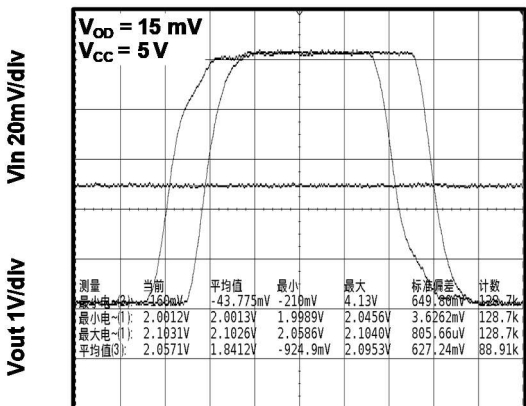
Time (10ns/div)

Propagation Delay (t_{PD+})



Time (2ns/div)

Propagation Delay (t_{PD})



Time (20ns/div)

Pin Functions

-IN: Inverting Input of the Comparator. Voltage range of this pin can go from $V^- - 0.3V$ to $V^+ + 0.3V$.

+IN: Non-Inverting Input of Comparator. This pin has the same voltage range as -IN.

V+ (V_{DD}): Positive Power Supply. Typically the voltage is from 2.5V to 5.5V. Split supplies are possible as long as the voltage between V+ and V- is between 2.5V and 5.5V. A bypass capacitor of 0.1 μ F as close to the part as possible should be used between power supply pins or between supply pins and ground.

N/C: No Connection.

V- (V_{SS}): Negative Power Supply. It is normally tied to ground. It can also be tied to a voltage other than ground as long as the voltage between V+ and V- is from 2.5V to 5.5V. If it is not connected to ground, bypass it with a capacitor of 0.1 μ F as close to the part as possible.

OUT: Comparator Output. The voltage range extends to within millivolts of each supply rail.

Operation

The TP1961/TP1962/TP1964 single-supply comparators feature internal hysteresis, ultra-high speed operation, and low power consumption. Their outputs are guaranteed to pull within 0.52V of either rail without external pull-up or pull-down circuitry. Beyond the Rails

input voltage range and low-voltage, single supply operation make these devices ideal for portable equipment. These comparators all interface directly to CMOS logic.

Applications Information

Inputs

The TP196x comparator family uses CMOS transistors at the input which prevent phase inversion when the input pins exceed the supply voltages. Figure 1 shows an input voltage exceeding both supplies with no resulting phase inversion.

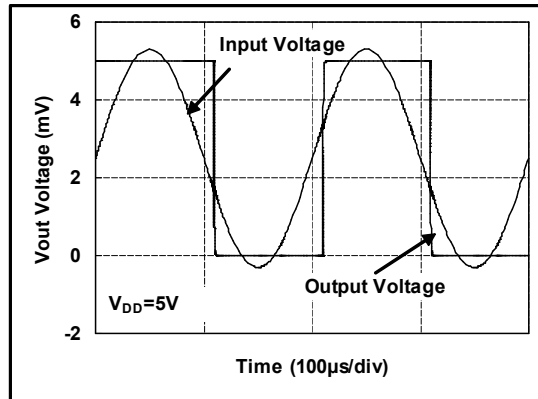


Figure 1. Comparator Response to Input Voltage

The electrostatic discharge (ESD) protection input structure of two back-to-back diodes and 1kΩ series resistors are used to limit the differential input voltage applied to the precision input of the comparator by clamping input voltages that exceed supply voltages, as shown in Figure 2. Large differential voltages exceeding the supply voltage should be avoided to prevent damage to the input stage.

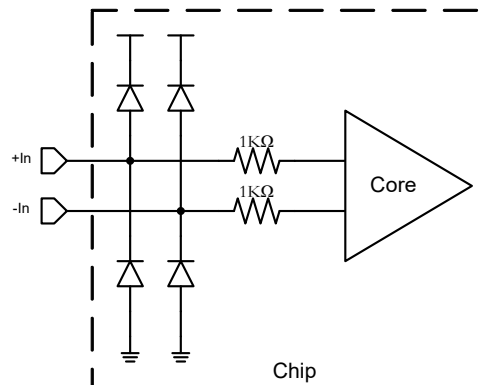


Figure 2. Equivalent Input Structure

Internal Hysteresis

Most high-speed comparators oscillate in the linear region because of noise or undesired parasitic feedback. This tends to occur when the voltage on one input is at or equal to the voltage on the other input. To counter the parasitic effects and noise, the TP196x implements internal hysteresis.

The hysteresis in a comparator creates two trip points: one for the rising input voltage and one for the falling input voltage. The difference between the trip points is the hysteresis. When the comparator's input voltages are equal, the hysteresis effectively causes one comparator input voltage to move quickly past the other, thus taking the input out of the region where oscillation occurs. Figure 3 illustrates the case where IN- is fixed and IN+ is varied. If the inputs were reversed, the figure would look the same, except the output would be inverted.

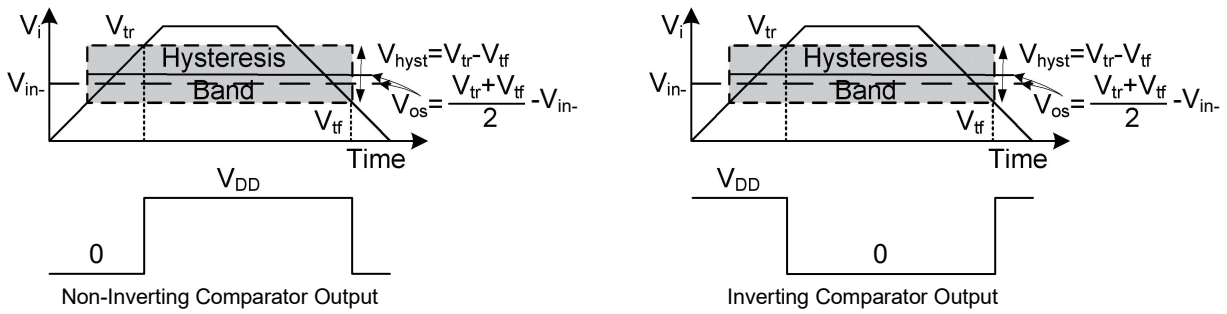


Figure 3. Comparator's hysteresis and offset

External Hysteresis

Greater flexibility in selecting hysteresis is achieved by using external resistors. Hysteresis reduces output chattering when one input is slowly moving past the other. It also helps in systems where it is best not to cycle between high and low states too frequently (e.g., air conditioner thermostatic control). Output chatter also increases the dynamic supply current.

Non-Inverting Comparator with Hysteresis

A non-inverting comparator with hysteresis requires a two-resistor network, as shown in Figure 4 and a voltage reference (V_r) at the inverting input.

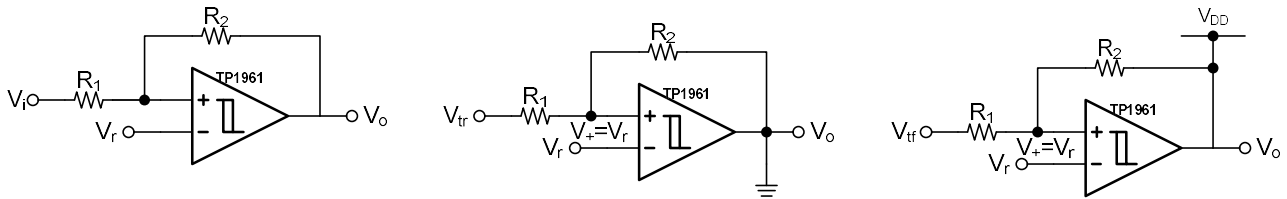


Figure 4. Non-Inverting Configuration with Hysteresis

When V_i is low, the output is also low. For the output to switch from low to high, V_i must rise up to V_{tr} . When V_i is high, the output is also high. In order for the comparator to switch back to a low state, V_i must equal V_{tf} before the non-inverting input V_+ is again equal to V_r .

$$V_r = \frac{R_2}{R_1 + R_2} V_{tr}$$

$$V_r = (V_{DD} - V_{tf}) \frac{R_1}{R_1 + R_2} + V_{tf}$$

$$V_{tr} = \frac{R_1 + R_2}{R_2} V_r$$

$$V_{tf} = \frac{R_1 + R_2}{R_2} V_r - \frac{R_1}{R_2} V_{DD}$$

$$V_{\text{hyst}} = V_{\text{tr}} - V_{\text{tf}} = \frac{R_1}{R_2} V_{\text{DD}}$$

Inverting Comparator with Hysteresis

The inverting comparator with hysteresis requires a three-resistor network that is referenced to the comparator supply voltage (V_{DD}), as shown in Figure 5.

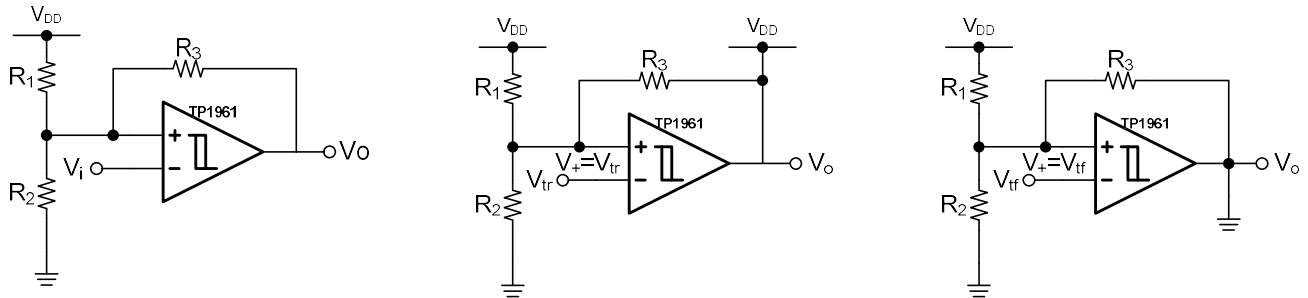


Figure 5. Inverting Configuration with Hysteresis

When V_i is greater than V_+ , the output voltage is low. In this case, the three network resistors can be presented as paralleled resistor $R_2 \parallel R_3$ in series with R_1 . When V_i at the inverting input is less than V_+ , the output voltage is high. The three network resistors can be represented as $R_1 \parallel R_3$ in series with R_2 .

$$V_{\text{tr}} = \frac{R_2}{R_1 \parallel R_3 + R_2} V_{\text{DD}}$$

$$V_{\text{tf}} = \frac{R_2 \parallel R_3}{R_2 \parallel R_3 + R_1} V_{\text{DD}}$$

$$V_{\text{hyst}} = V_{\text{tr}} - V_{\text{tf}} = \frac{R_1 \parallel R_2}{R_1 \parallel R_2 + R_3} V_{\text{DD}}$$

Low Input Bias Current

The TP196x family is a CMOS comparator family and features very low input bias current in pA range. The low input bias current allows the comparators to be used in applications with high resistance sources. Care must be taken to minimize PCB Surface Leakage. See below section on “PCB Surface Leakage” for more details.

PCB Surface Leakage

In applications where low input bias current is critical, Printed Circuit Board (PCB) surface leakage effects need to be considered. Surface leakage is caused by humidity, dust or other contamination on the board. Under low humidity conditions, a typical resistance between nearby traces is $10^{12}\Omega$. A 5V difference would cause 5pA of current to flow, which is greater than the TP196x’s input bias current at +27°C ($\pm 6\text{pA}$, typical). It is recommended to use multi-layer PCB layout and route the comparator’s -IN and +IN signal under the PCB surface.

The effective way to reduce surface leakage is to use a guard ring around sensitive pins (or traces). The guard ring is biased at the same voltage as the sensitive pin. An example of this type of layout is shown in Figure 6 for Inverting configuration application.

1. For Non-Inverting Configuration:

- a) Connect the non-inverting pin (V_{IN+}) to the input with a wire that does not touch the PCB surface.
- b) Connect the guard ring to the inverting input pin (V_{IN-}). This biases the guard ring to the same reference as the comparator.

2. For Inverting Configuration:

- a) Connect the guard ring to the non-inverting input pin (V_{IN+}). This biases the guard ring to the same reference voltage as the comparator (e.g., $V_{DD}/2$ or ground).
- b) Connect the inverting pin (V_{IN-}) to the input with a wire that does not touch the PCB surface.

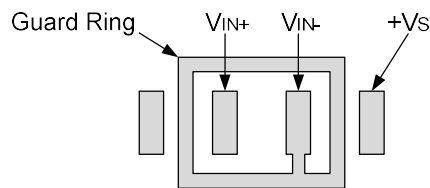


Figure 6. Example Guard Ring Layout for Inverting Comparator

Ground Sensing and Rail to Rail Output

The TP196x family implements a rail-to-rail topology that is capable of swinging to within 10mV of either rail. Since the inputs can go 300mV beyond either rail, the comparator can easily perform ‘true ground’ sensing.

The maximum output current is a function of total supply voltage. As the supply voltage of the comparator increases, the output current capability also increases. Attention must be paid to keep the junction temperature of the IC below 150°C when the output is in continuous short-circuit condition. The output of the amplifier has reverse-biased ESD diodes connected to each supply. The output should not be forced more than 0.5V beyond either supply, otherwise current will flow through these diodes.

ESD

The TP196x family has reverse-biased ESD protection diodes on all inputs and output. Input and output pins can not be biased more than 300mV beyond either supply rail.

Power Supply Layout and Bypass

The TP196x family’s power supply pin should have a local bypass capacitor (i.e., 0.01µF to 0.1µF) within 2mm for good high frequency performance. It can also use a bulk capacitor (i.e., 1µF or larger) within 100mm to provide large, slow currents. This bulk capacitor can be shared with other analog parts.

Good ground layout improves performance by decreasing the amount of stray capacitance and noise at the comparator’s inputs and outputs. To decrease stray capacitance, minimize PCB lengths and resistor leads, and place external components as close to the comparator’ pins as possible.

Proper Board Layout

The TP196x family is a series of fast-switching, high-speed comparator and requires high-speed layout considerations. For best results, the following layout guidelines should be followed:

- 1. Use a printed circuit board (PCB) with a good, unbroken low-inductance ground plane.
- 2. Place a decoupling capacitor (0.1µF ceramic, surface-mount capacitor) as close as possible to supply.

3. On the inputs and the output, keep lead lengths as short as possible to avoid unwanted parasitic feedback around the comparator. Keep inputs away from the output.
4. Solder the device directly to the PCB rather than using a socket.
5. For slow-moving input signals, take care to prevent parasitic feedback. A small capacitor (1000 pF or less) placed between the inputs can help eliminate oscillations in the transition region. This capacitor causes some degradation to propagation delay when the impedance is low. The topside ground plane should be placed between the output and inputs.
6. The ground pin ground trace should run under the device up to the bypass capacitor, thus shielding the inputs from the outputs.

Typical Applications

IR Receiver

The TP1961 is an ideal candidate to be used as an infrared receiver shown in Figure . The infrared photo diode creates a current relative to the amount of infrared light present. The current creates a voltage across R_D . When this voltage level cross the voltage applied by the voltage divider to the inverting input, the output transitions. Optional R_o provides additional hysteresis for noise immunity.

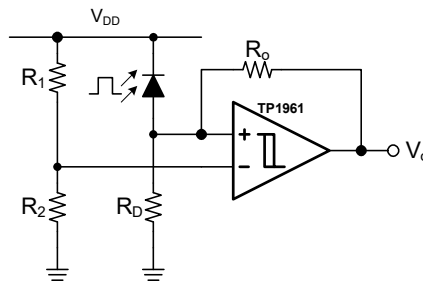


Figure 7. IR Receiver

Relaxation Oscillator

A relaxation oscillator using TP1961 is shown in Figure . Resistors R_1 and R_2 set the bias point at the comparator's inverting input. The period of oscillator is set by the time constant of R_4 and C_1 . The maximum frequency is limited by the large signal propagation delay of the comparator. TP1961's low propagation delay guarantees the high frequency oscillation.

If the inverted input (V_{C1}) is lower than the non-inverting input (V_A), the output is high which charges C_1 through R_4 until V_{C1} is equal to V_A . The value of V_A at this point is

$$V_{A1} = \frac{V_{DD} \cdot R_2}{R_1 \parallel R_3 + R_2}$$

At this point the comparator switches pulling down the output to the negative rail. The value of V_A at this point is

$$V_{A2} = \frac{V_{DD} \cdot R_2 \parallel R_3}{R_1 + R_2 \parallel R_3}$$

If $R_1=R_2=R_3$, then $V_{A1}=2V_{DD}/3$, and $V_{A2}=V_{DD}/3$

The capacitor C_1 now discharges through R_4 , and the voltage V_C decreases till it is equal to V_{A2} , at which point the comparator switches again, bringing it back to the initial stage. The time period is equal to twice the time it takes to discharge C_1 from $2V_{DD}/3$ to $V_{DD}/3$. Hence the frequency is:

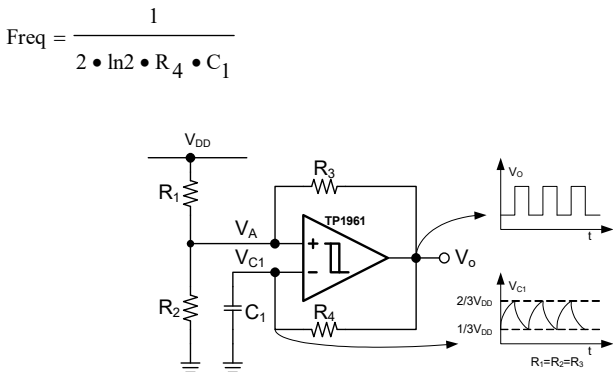


Figure 8. Relaxation Oscillator

Windowed Comparator

Figure shows one approach to designing a windowed comparator using a single TP1962 chip. Choose different thresholds by changing the values of R1, R2, and R3. OutA provides an active-low undervoltage indication, and OutB gives an active-low overvoltage indication. ANDing the two outputs provides an active-high, power-good signal. When input voltage Vi reaches the overvoltage threshold VOH, the OutB gets low. Once Vi falls to the undervoltage threshold VUH, the OutA gets low. When VUH < Vi < VOH, the AND Gate gets high.

$$V_{OH} = V_r \cdot (R_1 + R_2 + R_3) / R_1$$

$$V_{UH} = V_r \cdot (R_1 + R_2 + R_3) / (R_1 + R_2)$$

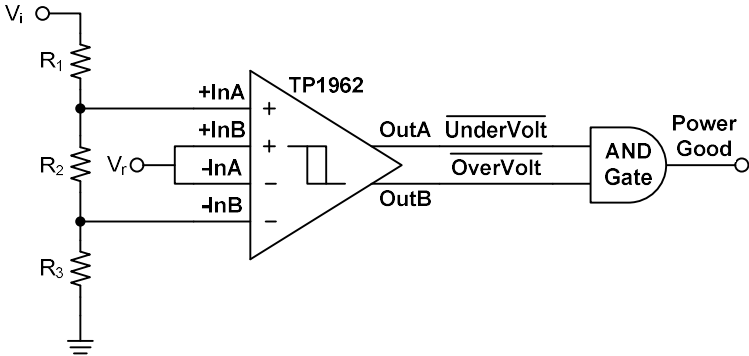


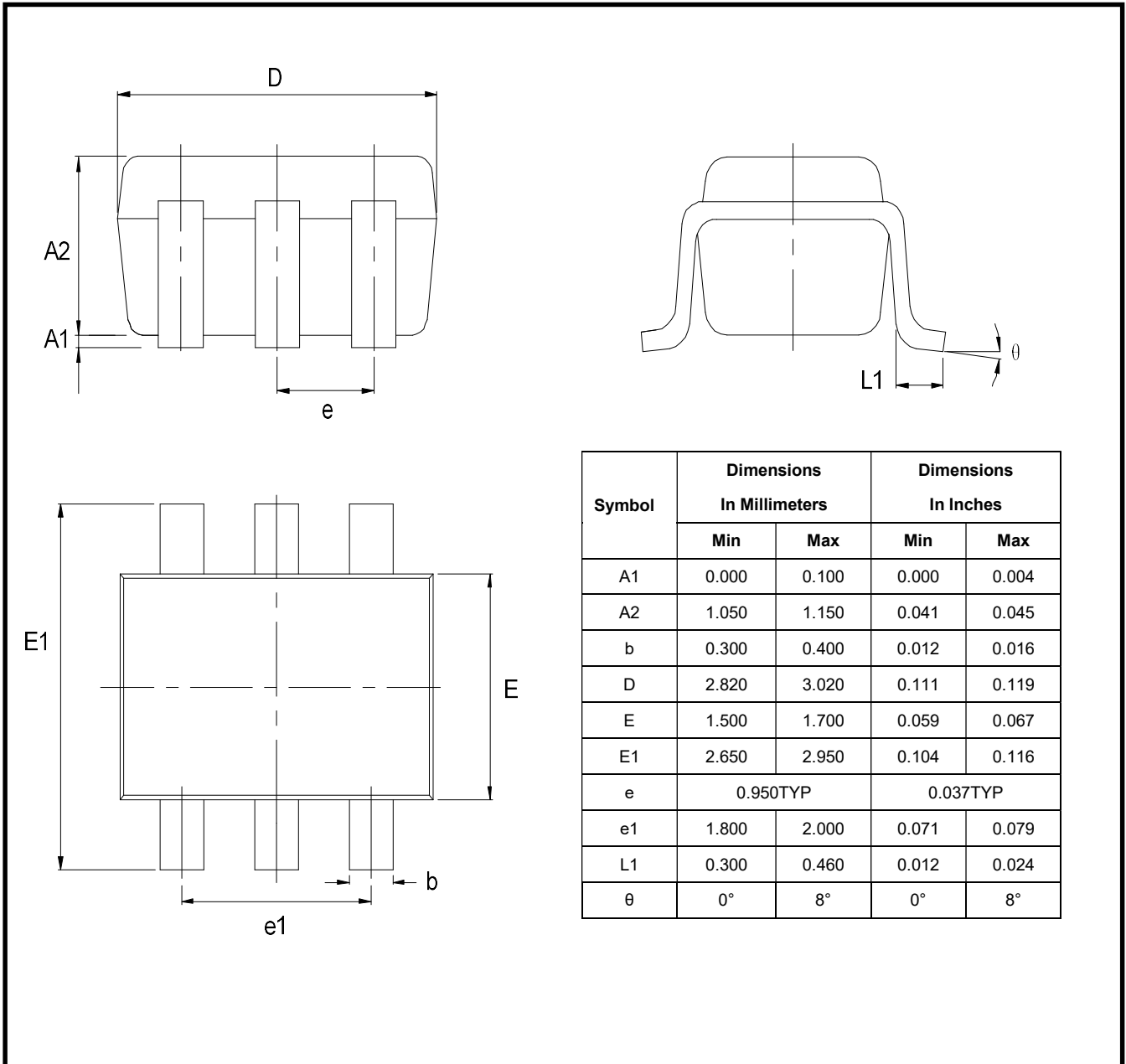
Figure 9. Windowed Comparator

TP1961/ TP1962/TP1964

7ns, 1/2/4, Ultra-High-Speed, +3V/+5V, Beyond-the-Rails Comparators

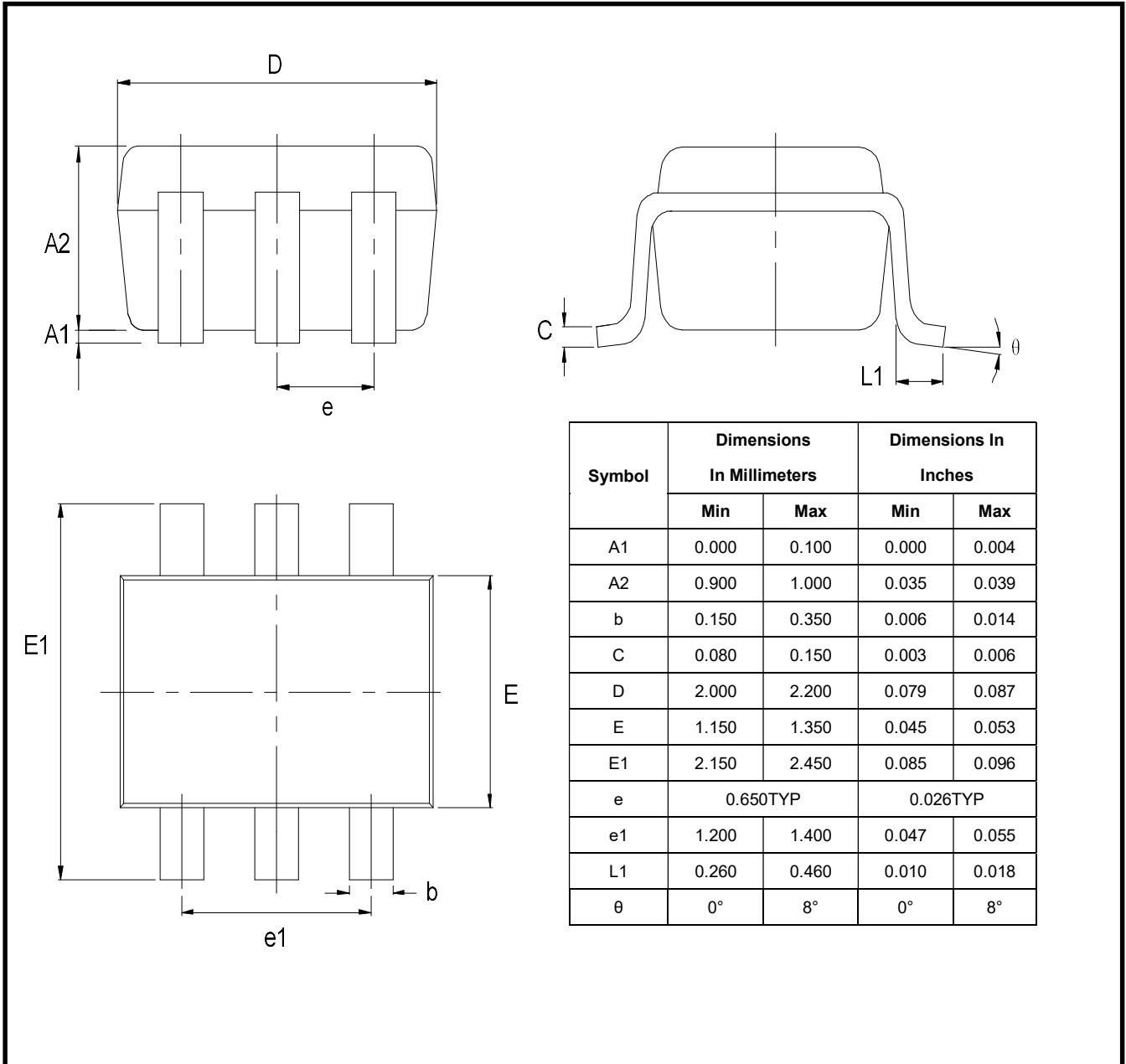
Package Outline Dimensions

SOT23-5 / SOT23-6



Package Outline Dimensions

SC-70-5 / SC-70-6 (SOT353 / SOT363)

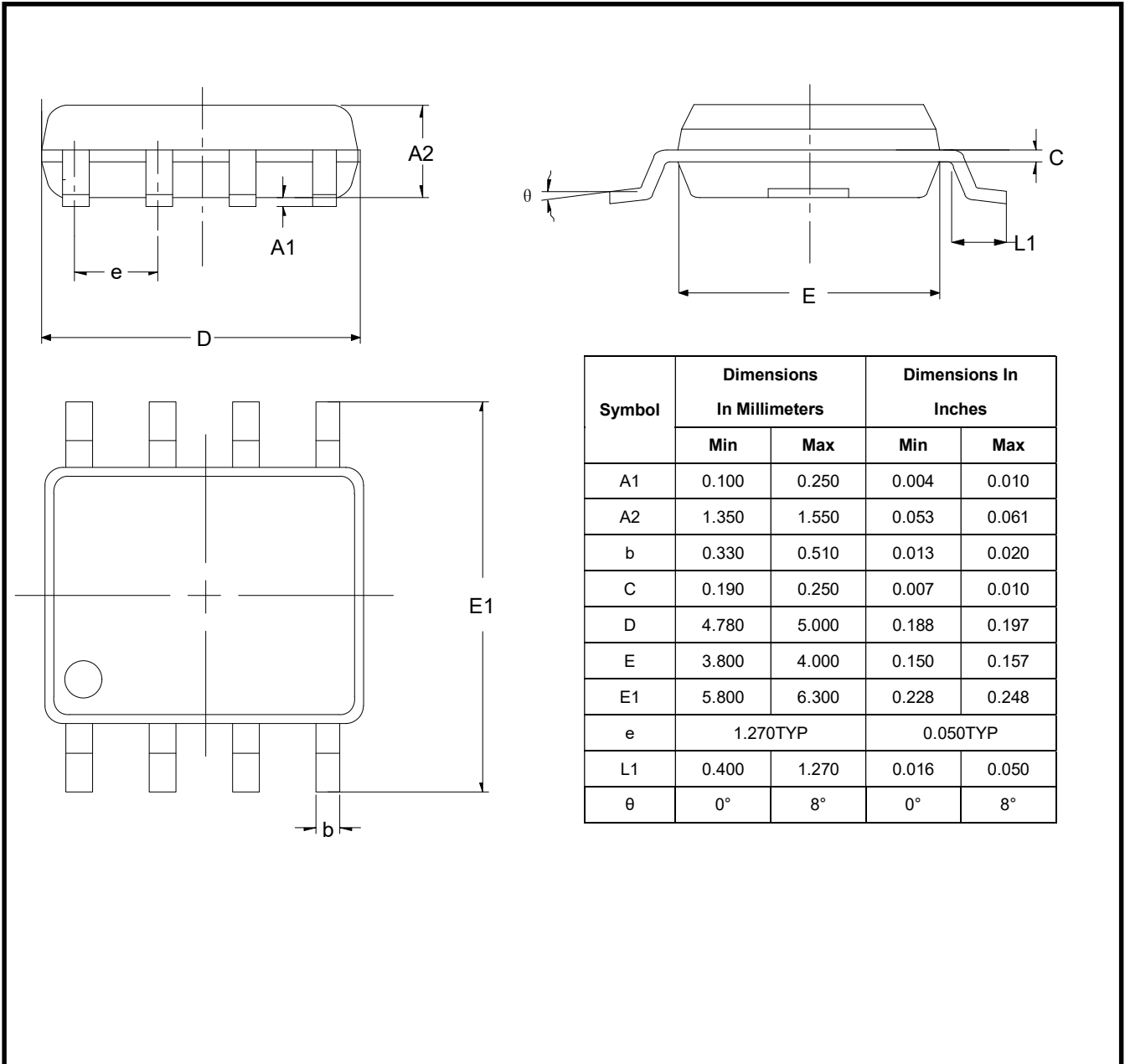


TP1961/ TP1962/TP1964

7ns, 1/2/4, Ultra-High-Speed, +3V/+5V, Beyond-the-Rails Comparators

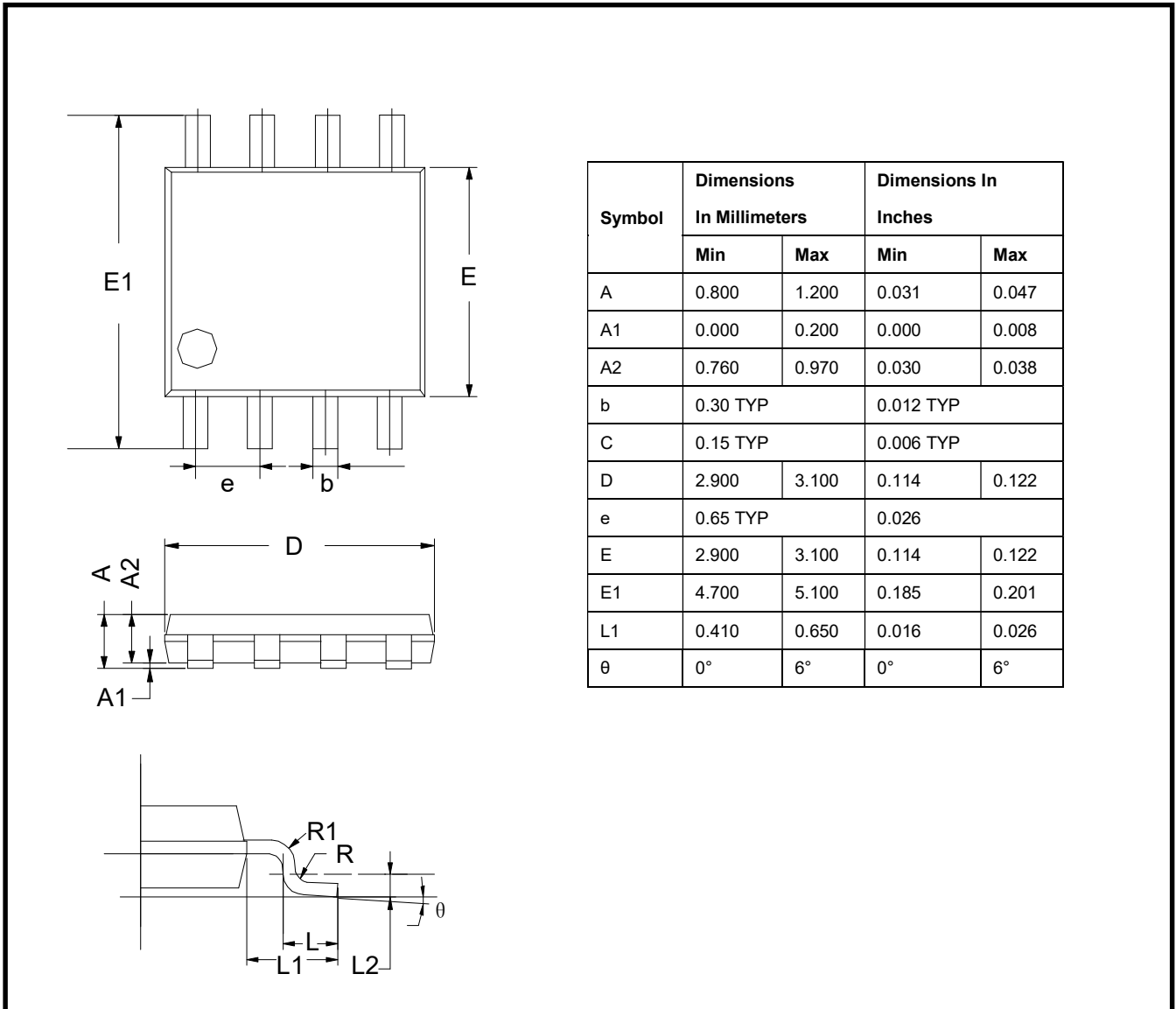
Package Outline Dimensions

SO-8 (SOIC-8)



Package Outline Dimensions

MSOP-8

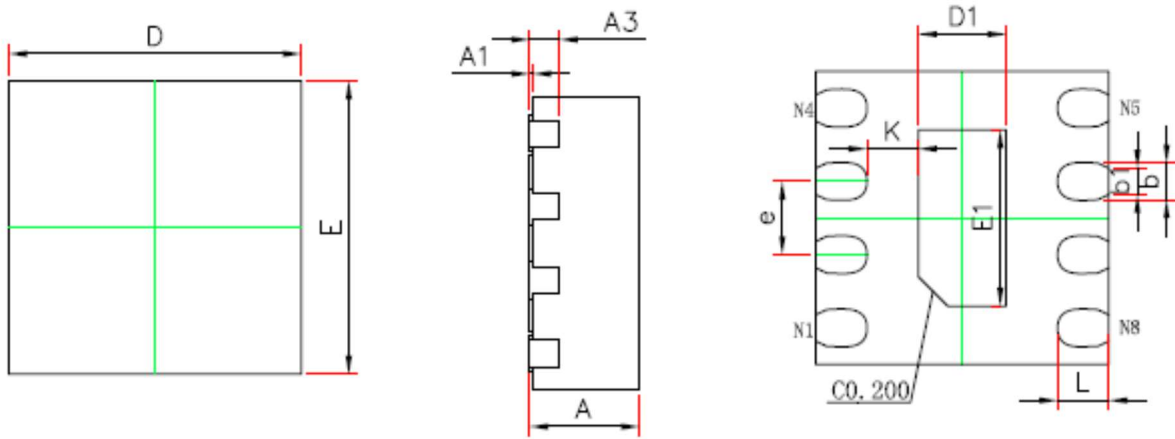


TP1961/ TP1962/TP1964

7ns, 1/2/4, Ultra-High-Speed, +3V/+5V, Beyond-the-Rails Comparators

Package Outline Dimensions

DFN-8



TOP VIEW

SIDE VIEW

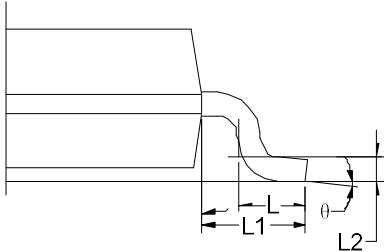
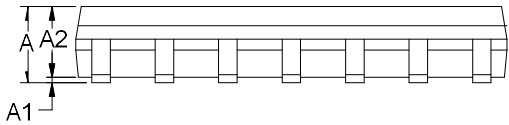
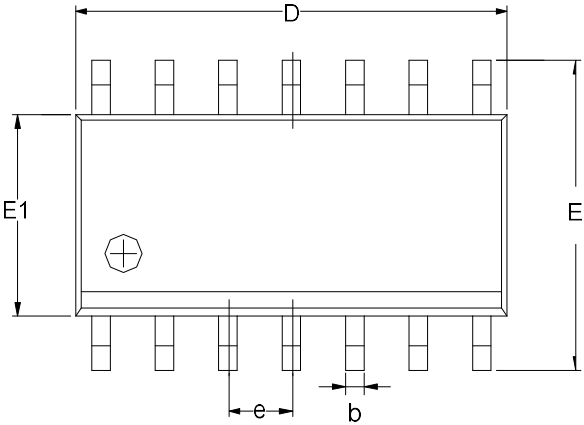
BOTTOM VIEW

Symbol	Dimensions In Millimeters		Dimensions In Inches	
	Min.	Max.	Min.	Max.
A	0.700	0.800	0.028	0.031
A1	0.000	0.050	0.000	0.002
A3	0.203REF.		0.008REF.	
D	1.900	2.100	0.075	0.083
E	1.900	2.100	0.075	0.083
D1	0.500	0.700	0.020	0.028
E1	1.100	1.300	0.043	0.051
k	0.350REF.		0.014REF.	
b	0.200	0.300	0.008	0.012
b1	0.180REF.		0.007REF.	
e	0.500BSC.		0.020BSC.	
L	0.274	0.426	0.011	0.017

Note 3: bottom view is the picture looking at the pins from bottom.

Package Outline Dimensions

SO-14 (SOIC-14)



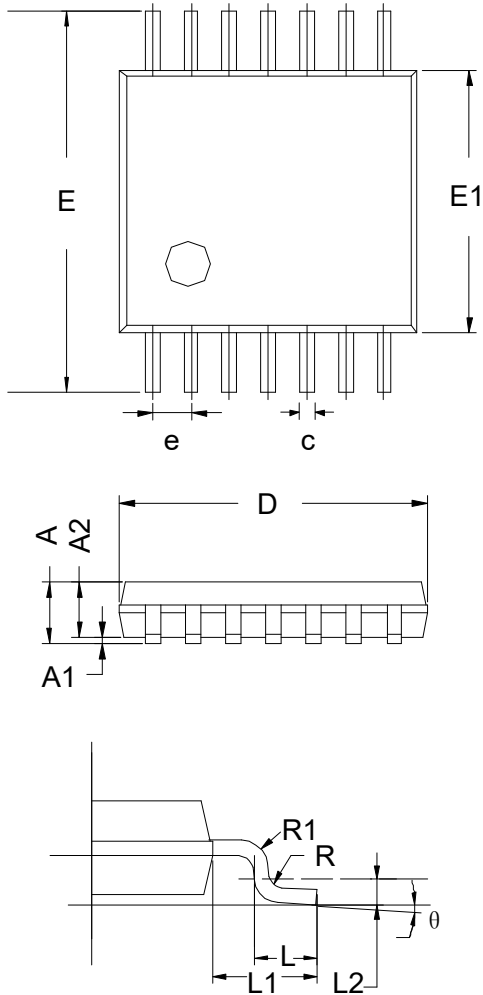
Symbol	Dimensions In Millimeters		
	MIN	TYP	MAX
A	1.35	1.60	1.75
A1	0.10	0.15	0.25
A2	1.25	1.45	1.65
b	0.36		0.49
D	8.53	8.63	8.73
E	5.80	6.00	6.20
E1	3.80	3.90	4.00
e	1.27 BSC		
L	0.45	0.60	0.80
L1	1.04 REF		
L2	0.25 BSC		
θ	0°		8°

TP1961/ TP1962/TP1964

7ns, 1/2/4, Ultra-High-Speed, +3V/+5V, Beyond-the-Rails Comparators

Package Outline Dimensions

TSSOP-14



Symbol	Dimensions In Millimeters		
	MIN	TYP	MAX
A	-	-	1.20
A1	0.05	-	0.15
A2	0.90	1.00	1.05
b	0.20	-	0.28
c	0.10	-	0.19
D	4.86	4.96	5.06
E	6.20	6.40	6.60
E1	4.30	4.40	4.50
e	0.65 BSC		
L	0.45	0.60	0.75
L1	1.00 REF		
L2	0.25 BSC		
R	0.09	-	-
θ	0°	-	8°