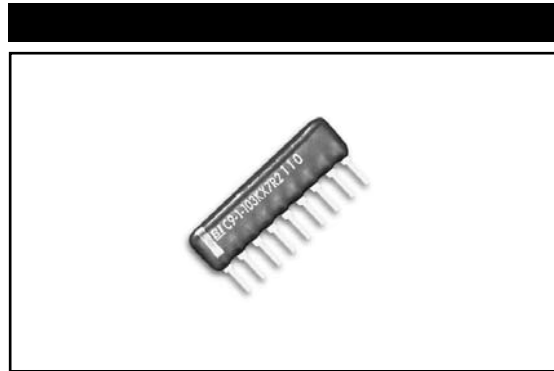


# MODEL C SERIES

## Single-In-Line

## Conformal Coated

## Capacitor Networks



### FEATURES

- Isolated or bussed circuits
- 4 to 14 Leads

### ELECTRICAL

|  |  |                |                |                        |
|--|--|----------------|----------------|------------------------|
| Rated Voltage                            | 25Vdc, 50Vdc, 100Vdc   |                |                |                        |
| Capacitance Range                        | 10pF to 470,000pF (Custom 2.2pF to 10pF max.)                      |                |                |                        |
| Tolerance                                | J Tol.<br>±5%  | K Tol.<br>±10% | M Tol.<br>±20% | Z Tol.<br>+80% to -20% |
| Temperature Coefficient<br>(% of Change) | Refer to Dielectric Table  |                |                |                        |
| Operating Temperature Range              | <b>CG &amp; X7R:</b> -55°C to +125°C<br><b>Y5V:</b> -30°C to +85°C |                |                |                        |

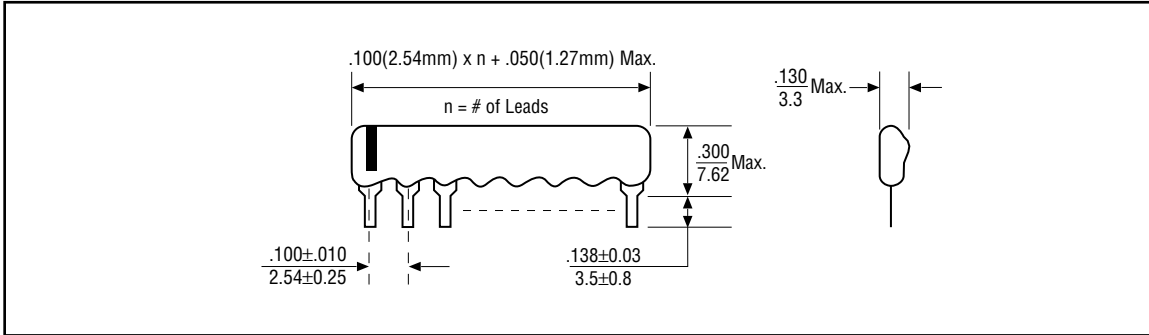
4

### DIELECTRIC TABLE

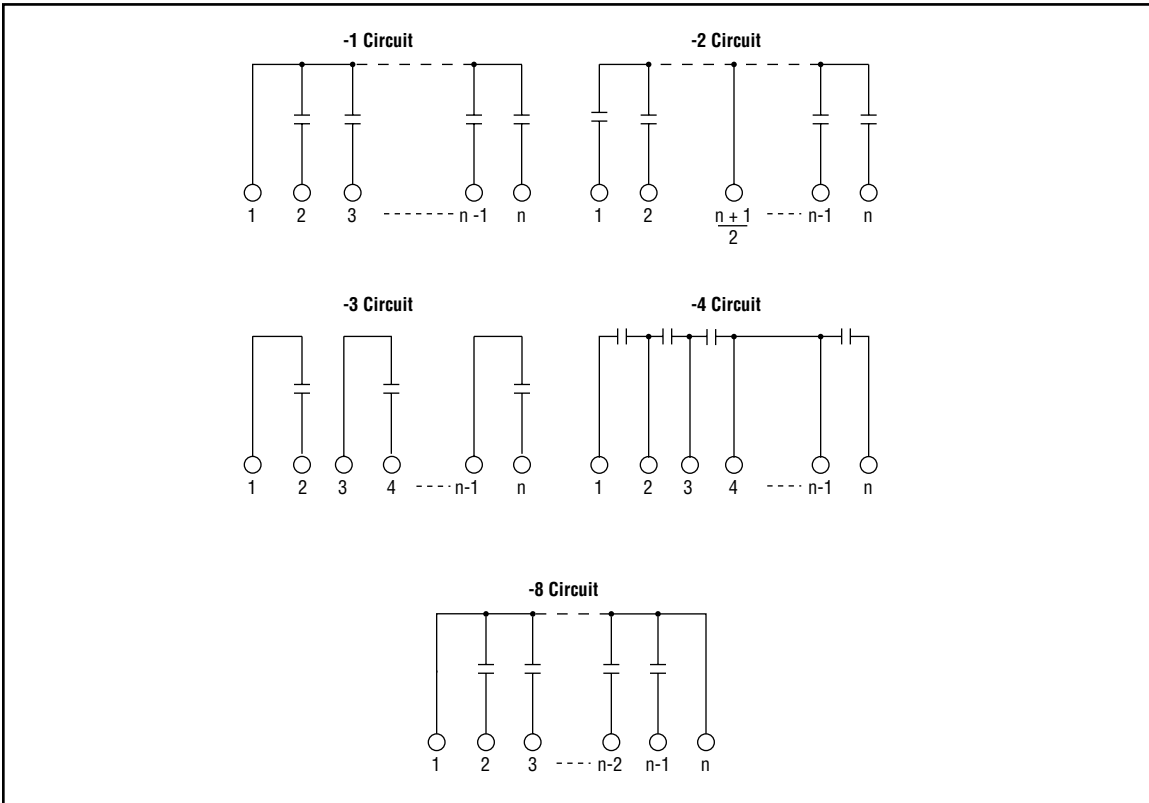
| Dielectric | Characteristics             | Values          |
|------------|-----------------------------|-----------------|
| X7R        | ±15% (-55 to +125°C)        | 680pF to 47nF   |
| Y5V        | +22% to -82% (-30 to +85°C) | 10pF to 1,500pF |
| CG (NPO)   | ±30ppm/°C                   | 10pF to 1,500pF |

Specifications subject to change without notice.

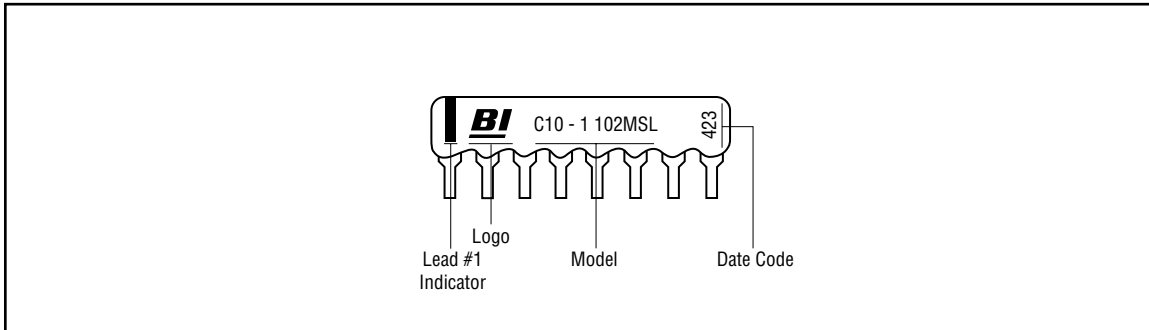
**OUTLINE DIMENSIONS (Inch/mm)**



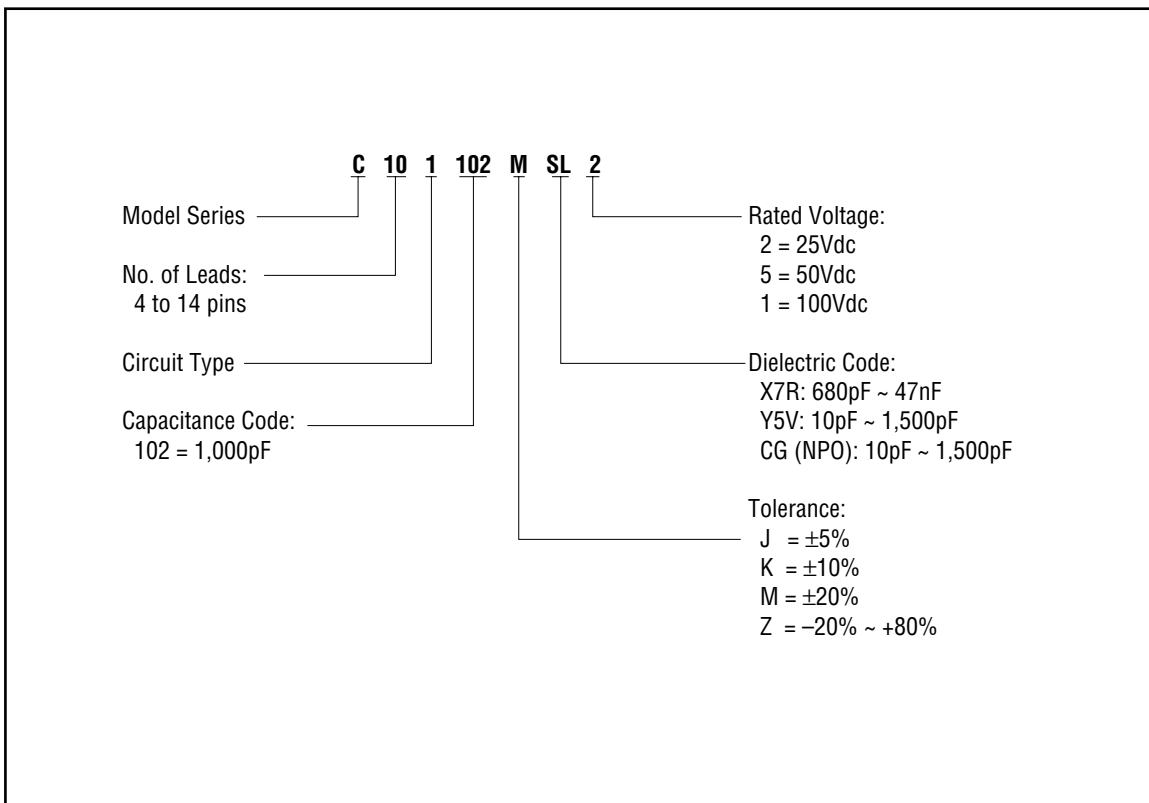
**SCHEMATICS**



## TYPICAL PART MARKING



## ORDERING INFORMATION



**4**