

Click [here](#) to ask an associate for production status of specific part numbers.

MAX14919/MAX14919A

Industrial-Protected, Quad-Channel, Low-Side Switch

General Description

The MAX14919/MAX14919A industrial-protected quad-channel low-side switch features 140m Ω (typ) on-resistance (R_{ON}) per channel with integrated ± 1 kV/42 Ω surge protection for robust operation.

Resistor-settable accurate current limiting provides guaranteed operating currents in the range of 100mA to 800mA. Loads that draw large activation or inrush currents are supported using the 2x inrush load-current option. The outputs can be connected in parallel to achieve higher load currents. The four switches are pin-controlled to allow for simple and fast switching of up to 500kHz.

The MAX14919/MAX14919A feature reverse current detection. The MAX14919 implements reverse-current protection by driving an external FET for non-capacitive loads. The MAX14919A has reverse current indication.

Inductive loads are turned off rapidly using the internal high-voltage clamps. The switches are short-circuit and overload protected.

The MAX14919/MAX14919A quad low-side switch is available in a 6.5mm x 6.4mm footprint 20-TSSOP package and a 4mm x 5mm footprint 20-TQFN package specified over the -40°C to +125°C operating temperature range.

Applications

- Industrial Digital Outputs
- Relay and Solenoid Drivers
- PLC and DCS Systems
- Motor Control

Benefits and Features

- 5V or 7V to 60V Supply Voltage
- 800mA Load Current per OUT
- Integrated 5V/30mA Linear Regulator
- Logic Supply Input from 1.62V(min) to 5.5V(max)
- 5V to 48V Load Voltage Range
- Up to 500kHz Switching Rates
- 2x Inrush Load Current Option for 10ms
- Reduces Power and Heat Dissipation
 - 140m Ω (typ) On-Resistance per channel
 - 1.7mA (typ) Supply Current
 - Settable Load Current Limit
- Robust Design Features
 - Internal inductive Energy Clamp at 55V(typ)
 - Short-Circuit Protection
 - Reverse Current Detection against Load-Supply Miswiring
 - ± 1 kV/42 Ω , 8 μ s/20 μ s Surge Protection
 - ± 8 kV Contact and ± 25 kV Airgap ESD Protection
 - -40°C to +125°C Operating Ambient Temperature
- $\overline{\text{FAULT}}$ Indication for:
 - Thermal Overload
 - Reverse Load Current Detection
 - Undervoltage Lockout on V_5 Supply
- Compact 20-pin, 6.5mm x 6.4mm TSSOP Package
- Compact 20-pin, 4mm x 5mm TQFN Package

[Ordering Information](#) appears at end of data sheet.

19-100963; Rev 4; 6/22

© 2022 Analog Devices, Inc. All rights reserved. Trademarks and registered trademarks are the property of their respective owners.

One Analog Way, Wilmington, MA 01887 U.S.A. | Tel: 781.329.4700 | © 2022 Analog Devices, Inc. All rights reserved.

Simplified Low-Side Switch Application

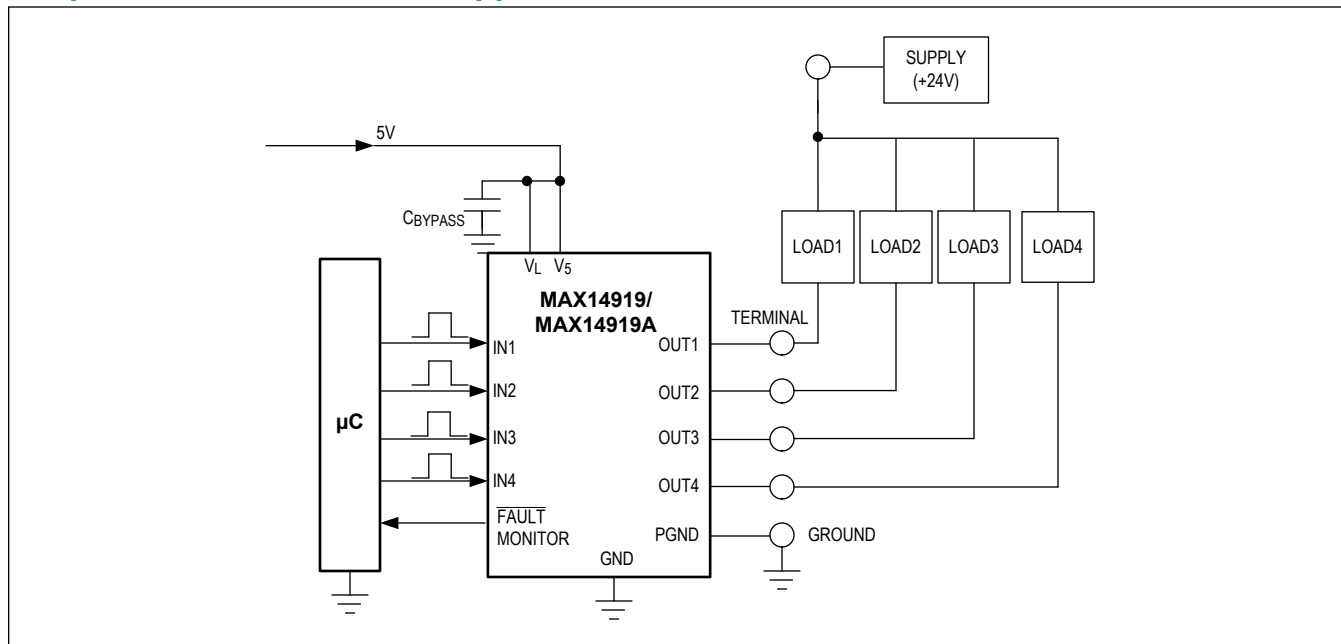


TABLE OF CONTENTS

General Description	1
Applications	1
Benefits and Features	1
Simplified Low-Side Switch Application	2
Absolute Maximum Ratings	6
Package Information	6
20 TSSOP	6
20 TQFN	6
Electrical Characteristics	7
Typical Operating Characteristics	10
Pin Configurations	13
20 TSSOP	13
20 TQFN	13
Pin Description	14
Functional Diagrams	15
MAX14919/ MAX14919A	15
Detailed Description	16
Supply Inputs	16
Supply Powering Options with V_{DD} and V_5	16
5V Linear Regulator	16
Logic Supply Input V_L	16
Undervoltage Lockout	16
Logic Interface	16
FAULT Signaling	17
Chip Thermal Protection	17
Current Limiting	17
Inrush Current Mode	18
System Protection	18
Reverse-Current Detection	18
Transient Energy Protection	18
Short-Circuit and Overcurrent Protection	18
Applications Information	19
Paralleling the Outputs	19
Board Layout	19
Surge Protection	19
Inductive Demagnetization	19
Typical Application Circuits	20
Isolated Quad-Channel Digital-Output Application with Reverse-Load Polarity Protection	20
Field Isolated Quad-Channel Digital-Output Application with MAX14919A	21

TABLE OF CONTENTS (CONTINUED)

Ordering Information	21
Revision History	22

LIST OF FIGURES

Figure 1. IN_ to OUT_ Propagation Times 9
Figure 2. Output Channel Rise and Fall Times 9

Absolute Maximum Ratings

V _{DD}	-0.3V to 65V	Continuous Power Dissipation (Single-Layer Board) (20-TSSOP) (T _A = +70°C, derate 65mW/°C above +70°C)	1739mW
V ₅	-0.3V to +6V	Continuous Power Dissipation (Multilayer Board) (20-TSSOP) (T _A = +70°C, derate 55mW/°C above +70°C)	2122mW
V _L , $\overline{\text{FAULT}}$	-0.3V to +6V	Continuous Power Dissipation (Multilayer Board) (20-TQFN) (T _A = +70°C, derate 32.96mW/°C above +70°C)	2636.78mW
REV, RCLIM	-0.3V to (V ₅ + 0.3V)	Operating Temperature Range	-40°C to 125°C
IN	-0.3V to +6V	Junction Temperature	Internally Limited
OUT1, OUT2, OUT3, OUT4	-0.3V to V _{CLAMPV}	Storage Temperature Range	-65°C to +150°C
OUT_ Load Current (Current limit defined by R _{LIM} resistor).....	Internally Limited	Soldering Temperature (reflow)	260°C
Continuous Current (any other terminal)	±100mA		

Stresses beyond those listed under "Absolute Maximum Ratings" may cause permanent damage to the device. These are stress ratings only, and functional operation of the device at these or any other conditions beyond those indicated in the operational sections of the specifications is not implied. Exposure to absolute maximum rating conditions for extended periods may affect device reliability.

Package Information

20 TSSOP

Package Code	U20E+3C
Outline Number	21-100132
Land Pattern Number	90-100049
THERMAL RESISTANCE, SINGLE-LAYER BOARD	
Junction-to-Ambient (θ_{JA})	46°C/W
Junction-to-Case Thermal Resistance (θ_{JC})	2°C/W
THERMAL RESISTANCE, FOUR-LAYER BOARD	
Junction-to-Ambient (θ_{JA})	37°C/W
Junction-to-Case Thermal Resistance (θ_{JC})	2°C/W

20 TQFN

Package Code	T2045+1C
Outline Number	21-0726
Land Pattern Number	90-100091
THERMAL RESISTANCE, FOUR-LAYER BOARD	
Junction-to-Ambient (θ_{JA})	30.34°C/W
Junction-to-Case Thermal Resistance (θ_{JC})	1.98°C/W

For the latest package outline information and land patterns (footprints), go to www.maximintegrated.com/packages. Note that a "+", "#", or "-" in the package code indicates RoHS status only. Package drawings may show a different suffix character, but the drawing pertains to the package regardless of RoHS status.

Package thermal resistances were obtained using the method described in JEDEC specification JESD51-7, using a four-layer board. For detailed information on package thermal considerations, refer to www.maximintegrated.com/thermal-tutorial.

Electrical Characteristics

($V_{DD} = 7V$ to $60V$, $V_5 = 4.5$ to $5.5V$, $V_L = 1.62V$ to $5.5V$, $T_A = -40^\circ C$ to $+125^\circ C$, unless otherwise noted. Typical values are at $T_A = +25^\circ C$ and $V_{DD} = +24.0V$, $V_L = V_5$) ([Note 1](#))

PARAMETER	SYMBOL	CONDITIONS		MIN	TYP	MAX	UNITS
SUPPLY (V_5, V_L)							
V_5 Supply Voltage	V_5	$V_{DD} = GND$ or unconnected		4.5	5.0	5.5	V
V_5 Supply Current	I_{V5_ON}	$V_{DD} = GND$ or unconnected	All $OUT_$ turned on or off		1.6	3	mA
V_5 Undervoltage-Lockout Threshold	V_5_UVLO	$V_{DD} = GND$ or unconnected	$OUT_$ are three-state in UVLO, V_5 falling	3.6		4.2	V
V_5 Undervoltage-Lockout Hysteresis	$V_5_UVLO_HYS$	$V_{DD} = GND$ or unconnected			0.2		V
V_L Supply Voltage	V_L			1.62		5.5	V
V_L Supply Current	I_{V_L}	Logic inputs at GND or V_L				20	μA
V_L Undervoltage-Lockout Threshold	V_L_UVLO	V_L falling		0.7		1.4	V
V_L Undervoltage-Lockout Hysteresis	$V_L_UVLO_HYS$				50		mV
LINEAR REGULATOR (V_{DD}, V_5)							
V_{DD} Supply-Voltage Range	V_{DD}			7		60	V
V_{DD} Supply Current	I_{DD}	$V_5 = \text{No Load}$			1.7	3	mA
V_5 Regulator Output Voltage	V_5	0mA to 30mA external load current		4.75	5.00	5.25	V
V_5 Regulator Current Limit	I_{CL_V5}			35			mA
V_5 Line Regulation		$7V \leq V_{DD} \leq 60V$, $I_{V5} = 5mA$			0.002		mV/V
V_5 Load Regulation		$0 \leq I_{V5} \leq 20mA$			0.175		%
SWITCH OUTPUTS ($OUT_$)							
On-Resistance	R_{ON}	$I_{OUT_} = 600mA$			140	300	$m\Omega$
Current Limit	I_{LIM}	INRUSH = 0, or INRUSH = 1 and $t_{LIM} > 15ms$	$R_{LIM} = 100k\Omega$	140		270	mA
			$R_{LIM} = 27k\Omega$	700	800	900	
			$R_{LIM} = \text{open}$	650		950	
Inrush Current Limit	I_{LIM}	INRUSH = 1 or high, for 10ms after switch turn-on		$2 \times I_{LIM}$			mA
Inductive Clamp Voltage	V_{CLAMP}	$OUT_$ is OFF, $I_{OUT_} = 500mA$		49	55		V
Off-State Leakage Current at $OUT_$	I_{LEAK}	$IN_ = \text{low}$, $V_{OUT_} = 0V$ to $45V$. (Note 2)		-15		+15	μA
CLIM Voltage	V_{CLIM}				1.2		V
CLIM Short Resistance-Threshold Value	R_{LIM_SHORT}			4.5	6.5	9	$k\Omega$
CLIM Open Resistance-Threshold Value	R_{LIM_OPEN}			400	650	1000	$k\Omega$
Switch Turn-Off Propagation Delay (Low-to-High)	t_{OFF}	Delay from $IN_$ switching low to $OUT_$ rising by 0.5V, $R_L = 48\Omega$, $C_L = 0.1nF$, $V_{LOAD} = 24V$ (see Figure 1)			105	300	ns

Electrical Characteristics (continued)

($V_{DD} = 7V$ to $60V$, $V_5 = 4.5$ to $5.5V$, $V_L = 1.62V$ to $5.5V$, $T_A = -40^\circ C$ to $+125^\circ C$, unless otherwise noted. Typical values are at $T_A = +25^\circ C$ and $V_{DD} = +24.0V$, $V_L = V_5$) ([Note 1](#))

PARAMETER	SYMBOL	CONDITIONS	MIN	TYP	MAX	UNITS
Switch Turn-On Propagation Delay (High-to-Low)	t_{ON}	Delay between IN_+ switching high to OUT_+ falling by $0.5V$, $R_L = 48\Omega$, $V_{LOAD} = 24V$ (see Figure 1)		70	300	ns
Output Fall-Time	t_F	Output falling 80% to 20% of final value, $V_{LOAD} = 24V$, $R_L = 48\Omega$, $C_L = 0.1nF$ (see Figure 2)		160	250	ns
LOAD SUPPLY REVERSE POLARITY DETECT (REV)						
Reverse Current-Detect Threshold	$I_{TH_OUT_REV_ON}$	$V_5 > V_{5_UVLO}$, $IN_+ =$ high, current flow out of any OUT_+	-190	-150	-115	mA
	$I_{TH_OUT_REV_OFF}$	$V_5 > V_{5_UVLO}$, $IN_+ =$ low, current flow out of any OUT_+	-200	-150	-95	
REV Output-Pullup Current	I_{REV_ON}	(MAX14919 only) $V_5 > V_{5_UVLO}$, $I_{OUT_+} > I_{TH_OUT_REV}$, $V_{REV} = V_5 - 1V$	25	45		μA
REV Output-Pulldown Resistance	R_{REV_OFF}	$V_5 > V_{5_UVLO}$, $I_{OUT_+} < I_{TH_OUT_REV}$		10		Ω
Auto-Retry Delay	t_{REV_AR}	Delay until REV output is turned back on after reverse-detection turn-off. MAX14919 only		2		s
Three-State Leakage	I_{REV_LKG}	MAX14919A only		10		nA
LOGIC INPUTS (IN_+, INRUSH)						
Input-Voltage High	V_{IH}		0.8 x V_L			V
Input-Voltage Low	V_{IL}				0.2 x V_L	V
Input-Threshold Hysteresis	V_{I_TH}		0.1			V
Input-Pulldown Resistor	$R_{PULLDOWN}$	All logic input pins	200			k Ω
LOGIC OUTPUT (\overline{FAULT})						
Output Logic Low	V_{OL}	$I_{LOAD} = 5mA$			0.33	V
Three-State Leakage	I_{LKG}	Open-drain output off, $V_{PULLUP} = 5V$ (Note 2)	-1	+1		μA
THERMAL PROTECTION						
Channel Thermal-Shutdown Temperature	T_{JSHDN}	Junction temperature rising, per channel	160			$^\circ C$
Channel Thermal-Shutdown Hysteresis	T_{JSHDN_HYST}		15			$^\circ C$
Chip Thermal Shutdown	T_{CSHDN}	Temperature rising	150			$^\circ C$
Chip Thermal-Shutdown Hysteresis	$T_{CSHDN_HYS_T}$		10			$^\circ C$
LDO Shutdown Temperature	T_{DSDN}	Temperature rising	160			$^\circ C$
EMC						
Surge Tolerance	V_{SURGE}	OUT_+ to GND, IEC 61000-4-5 with 42Ω	± 1			kV
ESD IEC Contact Discharge	V_{ESD_C}	OUT_+ to GND, IEC 61000-4-2	± 8			kV

Electrical Characteristics (continued)

($V_{DD} = 7V$ to $60V$, $V_5 = 4.5$ to $5.5V$, $V_L = 1.62V$ to $5.5V$, $T_A = -40^{\circ}C$ to $+125^{\circ}C$, unless otherwise noted. Typical values are at $T_A = +25^{\circ}C$ and $V_{DD} = +24.0V$, $V_L = V_5$) (*Note 1*)

PARAMETER	SYMBOL	CONDITIONS	MIN	TYP	MAX	UNITS
ESD IEC Air Discharge	V_{ESD_A}	OUT_ to GND, IEC 61000-4-2		± 25		kV
ESD	V_{ESD}	All other pins. Human Body Model		± 2		kV

Note 1: All units are production tested at $T_A = +25^{\circ}C$. Specifications over temperature are guaranteed by design.

Note 2: Current into the device is positive and current out of the device is negative.

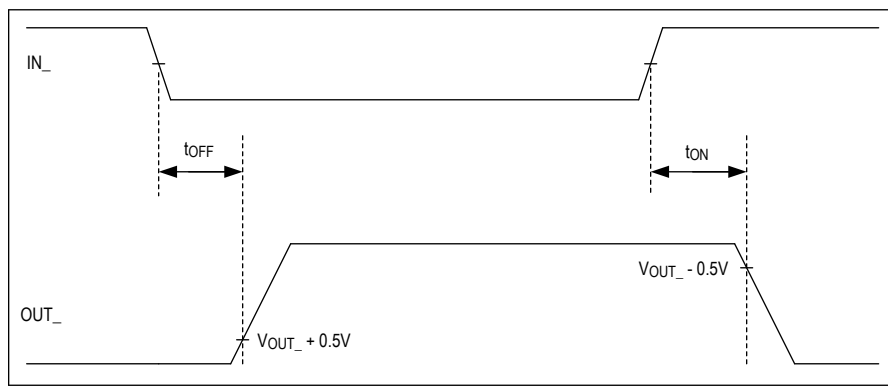


Figure 1. IN_ to OUT_ Propagation Times

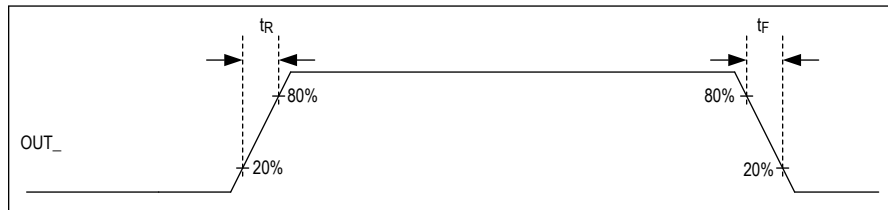
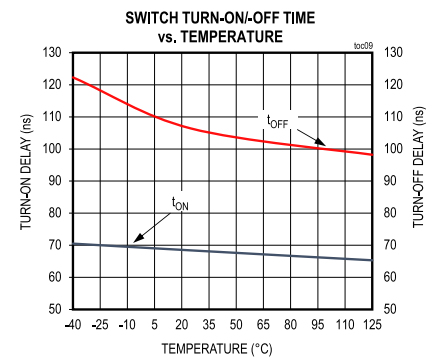
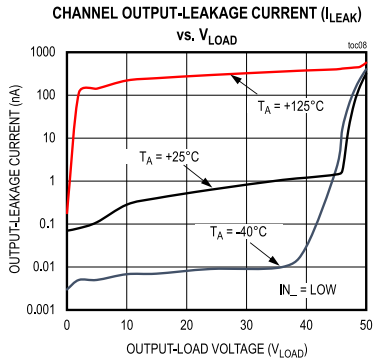
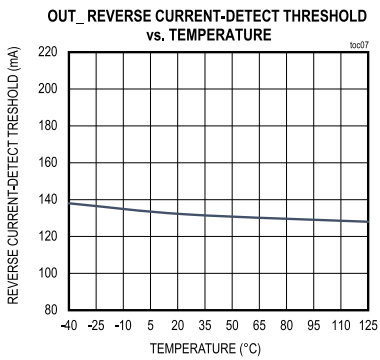
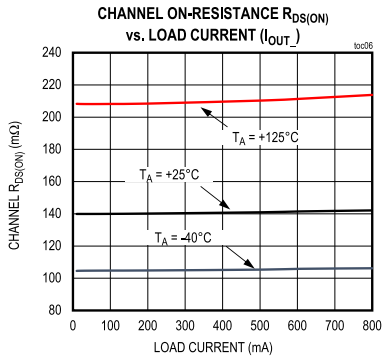
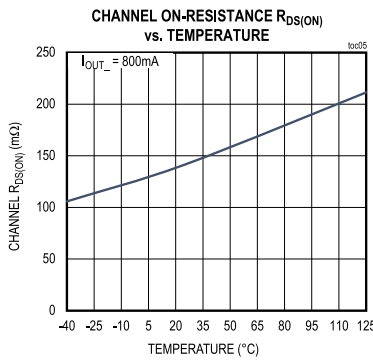
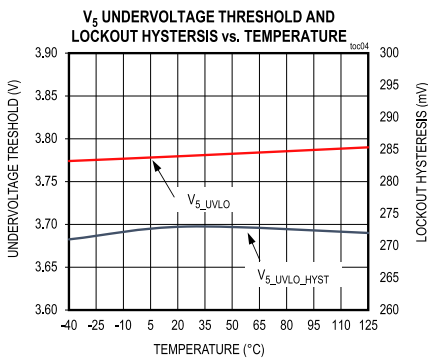
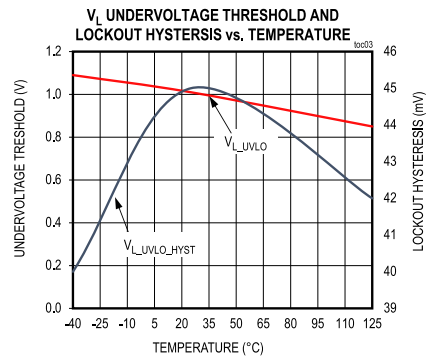
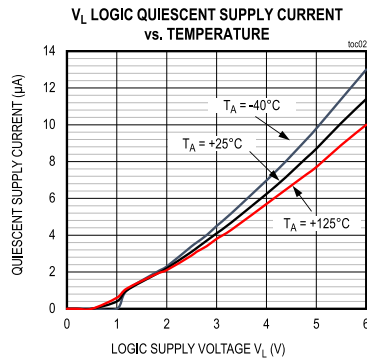
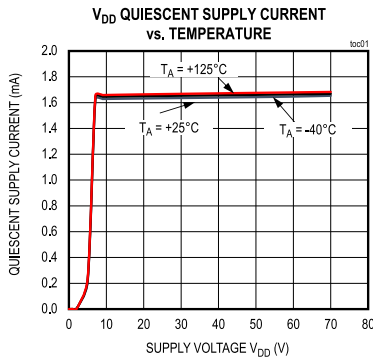


Figure 2. Output Channel Rise and Fall Times

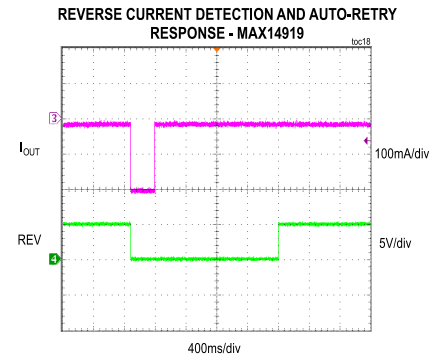
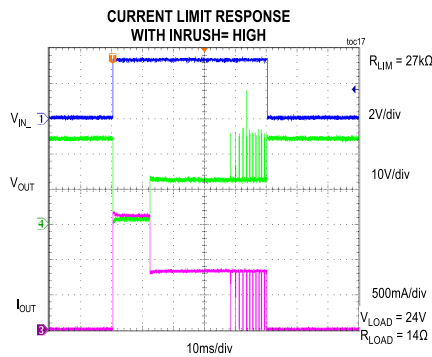
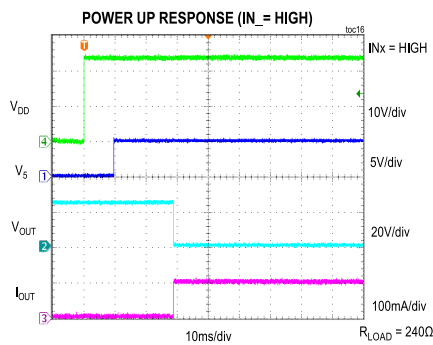
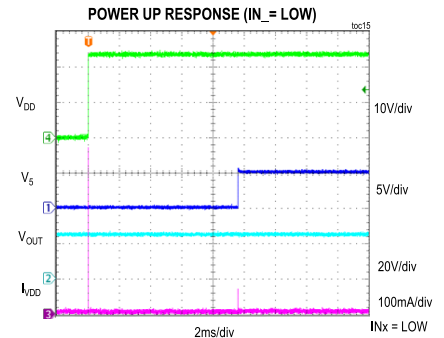
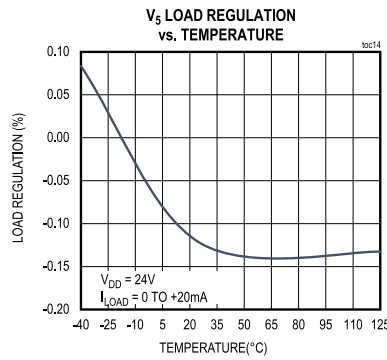
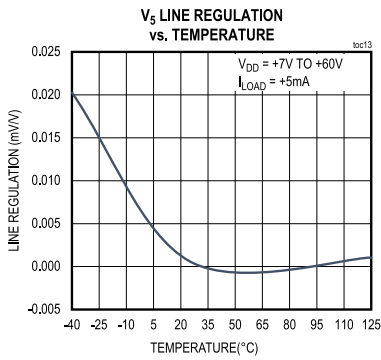
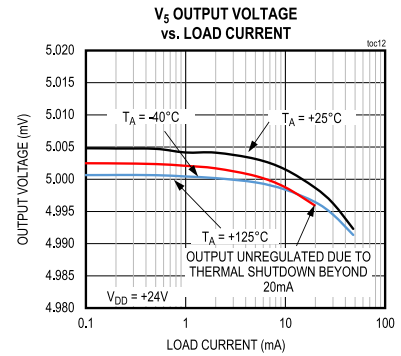
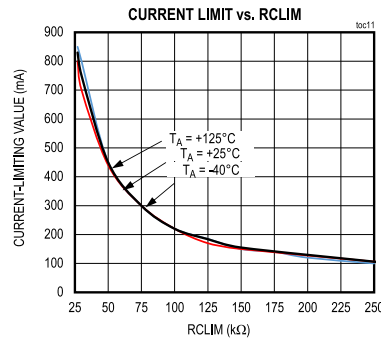
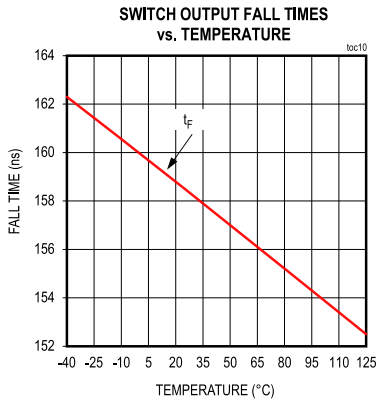
Typical Operating Characteristics

($V_{DD} = +24V$, $V_L = +3.3V$, INRUSH = LOW, $T_A = 25^\circ C$ unless otherwise noted.)



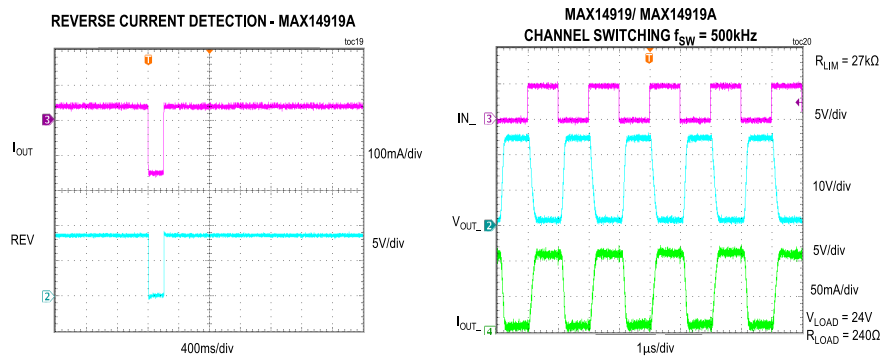
Typical Operating Characteristics (continued)

($V_{DD} = +24V$, $V_L = +3.3V$, INRUSH = LOW, $T_A = 25^\circ C$ unless otherwise noted.)



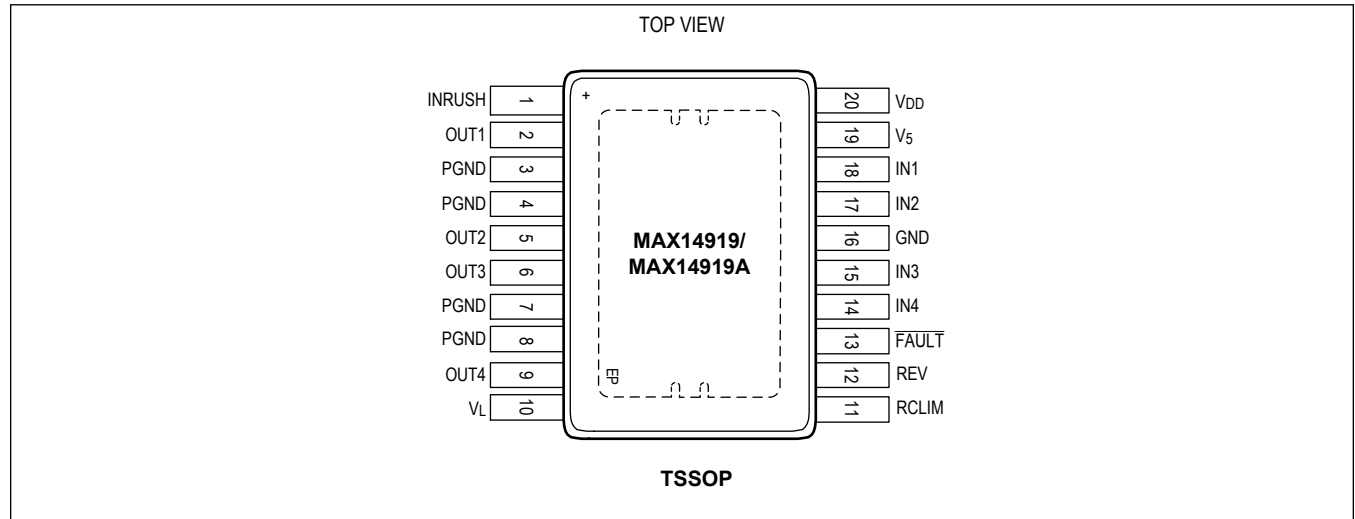
Typical Operating Characteristics (continued)

($V_{DD} = +24V$, $V_L = +3.3V$, INRUSH = LOW, $T_A = 25^\circ C$ unless otherwise noted.)

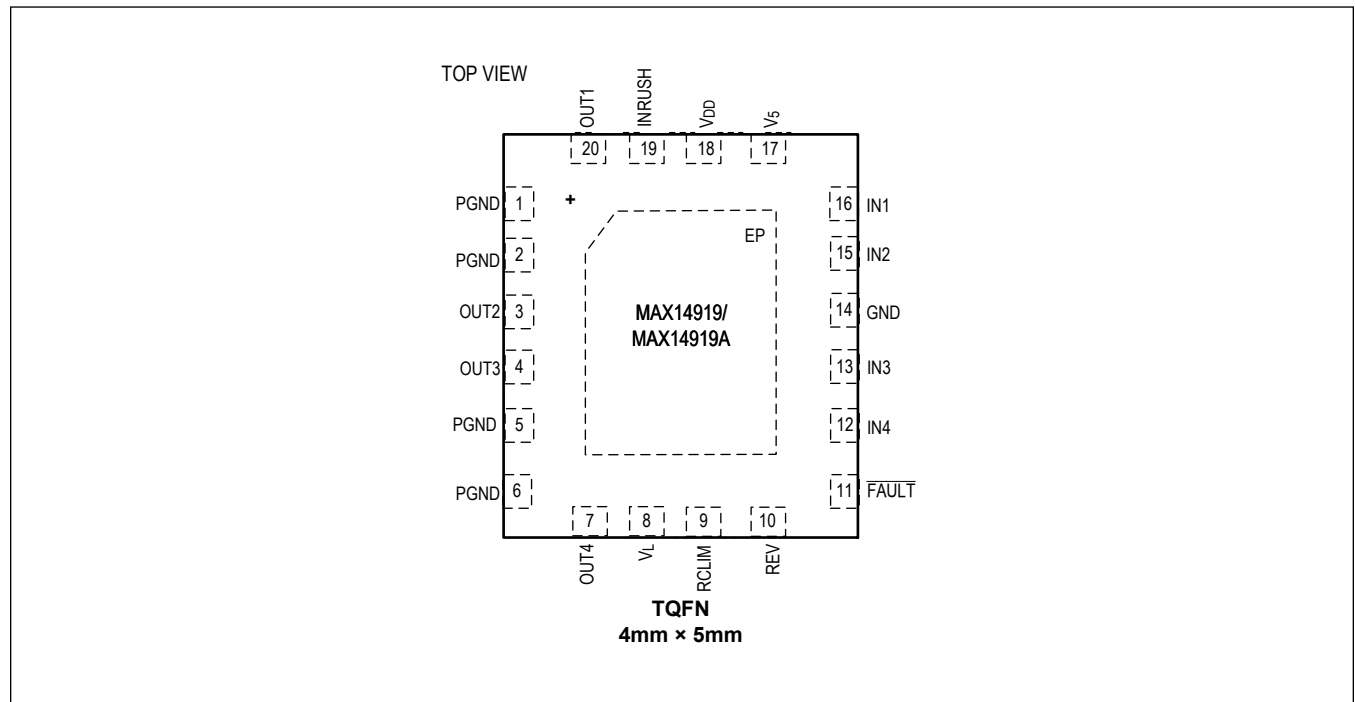


Pin Configurations

20 TSSOP



20 TQFN

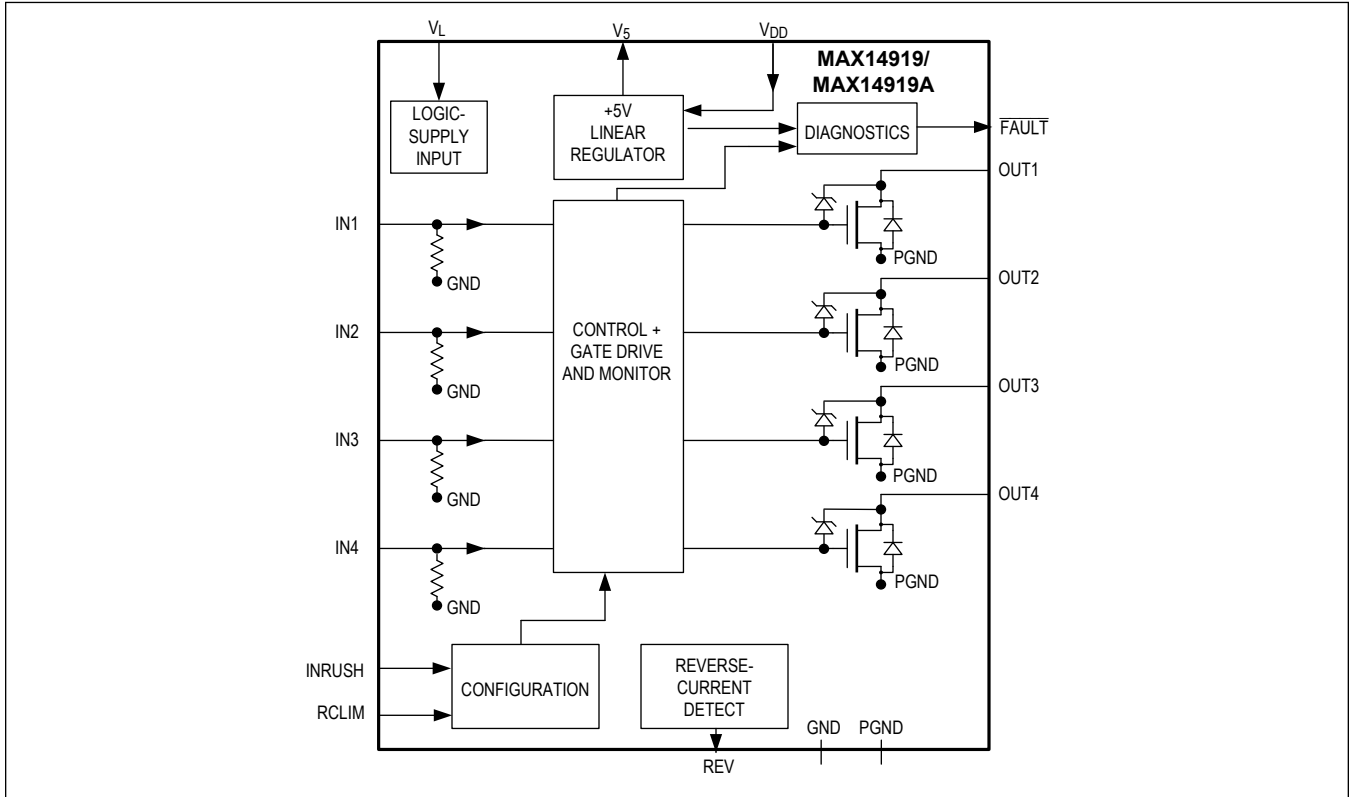


Pin Description

PIN		NAME	FUNCTION
20 TSSOP	20 TQFN		
POWER SUPPLY			
20	18	V _{DD}	24V Supply Input to Linear Regulator. Bypass V _{DD} to GND using a 1μF ceramic capacitor. If the MAX14919/ MAX14919A is powered by an external V ₅ supply and not V _{DD} , the V _{DD} input must either be connected to GND or left unconnected.
3, 4, 7, 8	1,2,5,6	PGND	Power Ground. Connect to Exposed Pad (EP).
16	14	GND	Analog Ground. Connect to Exposed Pad (EP).
19	17	V ₅	5V Supply Input or 5V Linear Regulator Output. Bypass V ₅ to GND using a 1μF ceramic capacitor. V ₅ is the primary chip supply and is required for normal operation
10	8	V _L	Logic Supply. Connect a supply voltage between 1.6V and 5.5V to V _L . Connect a 100nF bypass cap to V _L
SWITCH CONTROL			
18	16	IN1	Switch 1 Control Logic Input. IN1 has a weak pulldown to GND. Drive IN1 high to close the OUT1 switch.
17	15	IN2	Switch 2 Control Logic Input. IN2 has a weak pulldown to GND. Drive IN2 high to close the OUT2 switch.
15	13	IN3	Switch 3 Control Logic Input. IN3 has a weak pulldown to GND. Drive IN3 high to close the OUT3 switch.
14	12	IN4	Switch 4 Control Logic Input. IN4 has a weak pulldown to GND. Drive IN4 high to close the OUT4 switch.
SWITCH OUTPUTS			
2	20	OUT1	Low-Side Switch 1 Output
5	3	OUT2	Low-Side Switch 2 Output
6	4	OUT3	Low-Side Switch 3 Output
9	7	OUT4	Low-Side Switch 4 Output
Configuration			
1	19	INRUSH	Inrush-Enable Logic Input. Drive INRUSH high to enable 2x current limiting for 100mA (min) after any switch is turned on (using IN __). Drive INRUSH low to disable inrush current.
11	9	RCLIM	Load Current-Limit Control Resistor. Connect a resistor between RCLIM and GND to define the maximum load current through each switch. See the Current Limiting section for details.
DIAGNOSTICS SIGNALLING			
12	10	REV	REV Logic Output. Open-drain output with a 45μA internal pullup to V ₅ (MAX14919), open-drain output (MAX14919A). On the MAX14919, connect REV to the gate of an external nMOS transistor for supply-load reverse-polarity protection.
13	11	$\overline{\text{FAULT}}$	Global Overload Open-Drain Output. The $\overline{\text{FAULT}}$ transistor turns on low when any of the OUT __ switches are in thermal overload or the chip is in thermal shutdown. Connect a pullup resistor to V _L .
EXPOSED PAD			
—	—	EP	Exposed Pad. Connect EP to GND, PGND1, or PGND2.

Functional Diagrams

MAX14919/ MAX14919A



Detailed Description

The MAX14919/MAX14919A is a quad industrial low-side switch. Each low-side switch has 140mΩ (typ) on-resistance at up to 800mA load current. The four switches are pin-controlled, allowing parallel interface and high switching rates of over 500kHz on each channel. The maximum load current allowed through the switches can be set to fit different system needs. The switch outputs are protected against short circuits to voltages in the range of 0V to 49V and are protected against thermal overload. Integrated line-to-GND surge protection of up to ±1kV/42Ω makes external TVS protection unnecessary.

The device offers additional control for protection and diagnostics indicating thermal overload, reverse-load detect, V₅ supply undervoltage, and faults on the RCLIM current-limit setting pin.

The internal active clamps limit the OUT_ voltage to +55V (typ) enabling fast turn-off of inductive loads.

Supply Inputs

Supply Powering Options with V_{DD} and V₅

The MAX14919/MAX14919A offers flexible powering options. It can either be powered by V_{DD} or by V₅. The V_{DD} power-supply input is able to support a wide supply-voltage range from +7V to +60V with a typical case of +24V industrial power. The internal low-dropout regulator (LDO) handles the wide input to provide a stable +5V output. Applications with limited available system power or unregulated supplies are able to power MAX14919/MAX14919A without the need of external power converters.

In the presence of a stable +5V external supply, the internal LDO can be bypassed and the MAX14919/MAX14919A only powered by 5V. The V₅ power pin acts as a supply input when V_{DD} is grounded/unconnected and handles input with +4.5V to +5.5V supplies. V₅ is the primary power supply for the MAX14919/MAX14919A powering the internal control and analog blocks. The internal LDO can be bypassed by either connecting V_{DD} to GND or by leaving V_{DD} unconnected.

5V Linear Regulator

The integrated 5V linear regulator (V₅) can supply up to 30mA load current. Note that linear regulators have high power dissipation when high load currents are drawn while powered from high supply voltage. Calculate the power dissipation in the regulator as $P_{DIS} (W) = (V_{DD} - V_5) \times I_{V_5}$. The power dissipation might be excessive for high V₅ load currents in combination with high V_{DD} supply voltage resulting in self-heating of the device. Verify that the MAX14919/MAX14919A maximum thermal ratings are not exceeded at the highest operating temperatures.

When the device enters thermal shutdown, the V₅ linear regulator is automatically turned off at 160°C. The regulator turns on automatically when the chip temperature drops by 15°C (typ).

Logic Supply Input V_L

The V_L logic-supply input supports a wide logic-voltage range of +1.62V to +5.5V. V_L can either be powered by V₅ or externally supplied by +1.8V (typ) or +3.3V (typ) to enable interface with microcontrollers, FPGAs, or digital isolators. This supply input powers internal interface and logic blocks of MAX14919/MAX14919A.

Undervoltage Lockout

When the V_{DD}, V₅, or V_L supply voltages are under their respective UVLO thresholds, all OUT_ switches are off.

Logic Interface

The logic interface requires a V_L supply in the range of +1.62V to +5.5V. This ensures that the logic levels on logic I/O pins are CMOS-compliant. If used, connect pullup resistors to the open-drain logic outputs. If not used, connect the open-drain logic outputs to GND.

FAULT Signaling

$\overline{\text{FAULT}}$ is a global fault indication that is an open drain logic output that transitions active low when the MAX14919/MAX14919A detects a fault condition. When the device exits fault status and all switches are in normal operation, the $\overline{\text{FAULT}}$ pin transitions passive high. $\overline{\text{FAULT}}$ is asserted for any of these conditions:

- Chip thermal shutdown
- Any of the OUT switches are in thermal overloads; thus, are turned off.
- Reverse current detected at OUT_
- V_5 UVLO
- Short-circuit detected on the RCLIM pin.

During power-up of the device, $\overline{\text{FAULT}}$ is asserted until V_5 goes above its undervoltage-lockout condition (V_5_{UVLO}). $\overline{\text{FAULT}}$ is indicated if any one of the switch output has thermal overload or reverse-load connection, while the other channels are operating normally. The $\overline{\text{FAULT}}$ output is independent of the IN_ pin logic.

Chip Thermal Protection

All switches are constantly monitored while the MAX14919/MAX14919A is powered with $V_5 > V_5_{\text{UVLO}}$. When the device chip temperature rises above the thermal shutdown threshold of 150°C (T_{CSHDN}), the chip enters thermal shutdown protection and all OUT switches are turned off until the chip temperature drops below 140°C ($T_{\text{CSHDN}} - T_{\text{CSHDN_HYS}}$). In this condition, the $\overline{\text{FAULT}}$ output is set.

If an output switch temperature rises above 160°C (channel thermal-shutdown temperature T_{JSHDN}), that switch output (OUTx) is shut off. When the chip temperature falls by the hysteresis amount ($T_{\text{JSHDN_HYS}}$), the OUT_ switch is restored to normal operation.

The integrated low dropout regulator features a separate temperature sensor that monitors the internal temperature due to the LDO power dissipation. If the internal LDO temperature rises above 160°C (T_{DSHDN}) the LDO is turned off. The LDO wakes up after cooling down by ($T_{\text{DSHDN_HYST}}$).

Current Limiting

The MAX14919/MAX14919A has a settable current limiting common to all four output switches (OUT1 to OUT4). The load current limiting can be set to between 100mA and 800mA depending on the value of the resistor applied at the RCLIM pin.

Connect a resistor (R_{LIM}) from RCLIM to GND to set the required current limit. The equation to determine R_{LIM} for a known current to be limited (I_{LIM}) is given by:

$$R_{\text{LIM}}(\text{k}\Omega) = \frac{V_{\text{CLIM}} \times K1}{(I_{\text{LIM}} - K2)(\text{mA})}$$

where,

$$V_{\text{CLIM}} = 1.2\text{V}$$

$$K1 = 17260 \text{ (min), } 18000 \text{ (typ), } 19418 \text{ (max)}$$

$$K2 \text{ (mA)} = -67.1 \text{ (min), } 0 \text{ (typ), } 36.98 \text{ (max)}$$

For example, the R_{LIM} resistor to ensure the current limit is always higher than 600mA, which is the maximum operating load current of system is:

$$R_{\text{LIM}}(\text{k}\Omega) = \frac{V_{\text{CLIM}} \times K1(\text{min})}{(I_{\text{LIM}} - K2(\text{min}))(\text{mA})} = \frac{1.2 \times 17260}{(600 - (-67.1))(\text{mA})} = 31.05\text{k}\Omega$$

If no resistor is connected to the RCLIM input (i.e., RCLIM is unconnected) or R_{LIM} is more than 650k Ω , the I_{LIM} is internally set to 800mA. If the R_{LIM} resistor is less than 6.5k Ω (typ), all OUT_ switches are turned off. RCLIM is short-circuit protected.

When the load current is higher than the set I_{LIM} current in any of the outputs, the device forces the associated switch to limit the current to the I_{LIM} (mA) value. In current-limit operation, the OUT_ voltage rises and the OUT_ switch consequentially heats up proportionally to the $V_{\text{OUT}} \times I_{\text{LIM}}$ power dissipation. The limiting is done indefinitely until the

channel is turned-off or the fault condition is removed.

Inrush Current Mode

The MAX14919/ MAX14919A offers inrush mode that supports loads that draw higher currents during turn-on. In INRUSH mode, each switch provides at least double of the current set by the R_{LIM} resistor for the INRUSH duration of 10ms (min). Setting the INRUSH logic-input high enables the inrush mode allowing $2 \times I_{LIM}$ for up to 10ms. After the INRUSH period, the switch current limiting reverts to the value set by I_{LIM} .

System Protection

Reverse-Current Detection

The MAX14919 and MAX14919A feature reverse current detection which is signaled by the REV logic output. A reverse current on any OUT_{-} can arise when the field PSU that powers the load is miswired via a reverse polarity. Reverse currents are drawn out of outputs (OUT_{-}) when a negative voltage is applied across any OUT_{-} and GND/PGND with the OUT_{-} switch either in an on or off state. If the reverse current flowing out of any of the OUT_{-} exceeds 150mA(typ) ($I_{TH_OUT_REV_ON}$), the REV output immediately transitions low to signal a reverse current condition. The MAX14919 and MAX14919A react differently to a reverse current condition as explained in the following.

The MAX14919 drives REV low and automatically turns off all four OUT_{-} switches when it detects a reverse current condition ($I_{OUT_{-}} < I_{TH_OUT_REV_ON}$). The REV output is held low and all four OUT_{-} switches remain off for the autoretry duration (t_{REV_AR}) of 2 seconds (typ). After this delay, the OUT_{-} are turned back to the state defined by the IN_{-} inputs and REV is pulled high by the 45uA pull-up current. If the cause for reverse current is still present and a reverse current is again detected, the autoretry scheme again turns REV low and forces all OUT_{-} off for 2s (t_{REV_AR}). The REV output can drive the gate of an nFET which will open the GND/PGND connection to the field GND/COM connection, thereby stopping the reverse current flow. The on-resistance of the external nFET should be chosen such that it does not contribute significantly to a channel R_{ON} since all four OUT_{-} currents flow through the reverse-protecting nFET. Its R_{ON} should be significantly less than (1/4)th of the R_{ON} of the OUT_{-} (less than 35m Ω typ).

The MAX14919A version does not have internal reverse protection and the REV is a real-time open-drain output that signals when a reverse condition is detected. When a reverse current is detected, the open-drain REV output is pulled low but the OUT_{-} switches are not turned off – they remain in the state defined by the IN_{-} . The 2s auto-retry delay (t_{REV_AR}) is not present in MAX14919A, so as soon as the reverse condition disappears, the REV output reverts back to logic high, indicating a return to normal operation. The REV output can be used as an indication for a reverse condition, for example to an LED or to MCU, but is not suitable for driving an nFET in GND/PGND path for protection purposes.

Note the following when using the MAX14919. When the load driven by an OUT_{-} is capacitive and if the load is connected via a length of wire that has inductance, turning on the OUT_{-} will result in brief current and voltage oscillations on the wire due to LC oscillation. If the currents during oscillation exceeds the reverse trigger level of 150mA(typ) ($I_{TH_OUT_REV_ON}$), then this is detected as a reverse current. The MAX14919 will force all the channels off for autoretry time (t_{REV_AR}) for protection. In the same scenario, the MAX14919A will indicate a reverse detection fault (REV will be forced low) for the time until reverse current is present and will not change the state of output channels OUT_{-} .

Transient Energy Protection

The MAX14919/ MAX14919A features an integrated clamp at each of its four channel outputs. In typical applications, the integrated clamp avoids an external clamp on each of its outputs reducing component cost and board space. In case of an overvoltage event caused by surge, ESD, or inductive load turn-off, the clamp turns on at +55V (typ) to dissipate the energy.

Short-Circuit and Overcurrent Protection

The device outputs are designed to handle hard short-circuits as well as overcurrents. In case of a short-circuit at OUT_{-} to field supply with the switch turned on, the device actively regulates the current to I_{LIM} . The shorted switch channel temperature increases at a rate determined by the power dissipation: OUT_{-} voltage $\times I_{LIM}$. The switch enters thermal shutdown when its temperature is greater than 160°C. After the device cools down by T_{JSHDN_HYS} (°C), the switch is automatically turned on if its associated IN_{-} input is high. The MAX14919/ MAX14919A switch outputs indefinitely cycle into and out of thermal shutdown until the switch is turned off or the short-circuit is removed.

Applications Information

Paralleling the Outputs

The MAX14919/MAX14919A device supports paralleling of channels in applications with a higher load-current requirement. The channels that are paralleled should be connected together at the output and input, respectively. When multiple outputs are connected in parallel, the resulting current limit is the sum of the each output's current limit. For example, paralleling of two channels doubles the available load current.

When multiple outputs OUT_ are paralleled, an external zener-diode (ZD) clamp might be required per output for quenching the energy during inductive load turnoff. The external ZD-clamp voltage must be lower than the minimum internal-clamp voltage (49V min).

Board Layout

High-current, low R_{ON} switches require proper layout and design procedures for optimum performance. Ensure that power-supply bypass capacitors are placed as close as possible to the device. Ensure that the PGND and GND pins are interconnected to have the least on-board resistance. In this case, a 1 μ F capacitor should be placed to the ground plane as close to the V_{DD} pin as possible.

Connect the exposed pad to a large GND plane to dissipate heat in case of large load currents. Either the top layer or an inner or the bottom PCB layer is used for heat conduction. Use many vias under the exposed pad ("via farm") to efficiently contact the inner and bottom layers.

Surge Protection

Each OUT_ (OUT1 to OUT4) of the MAX14919/MAX14919A is protected against IEC 61000-4-5 (1.2 μ s/ 50 μ s) surges of up to $\pm 1\text{kV}/(42\Omega + 0.5\mu\text{F})$ without the need for external protection diodes from OUT_ to PGND.

Inductive Demagnetization

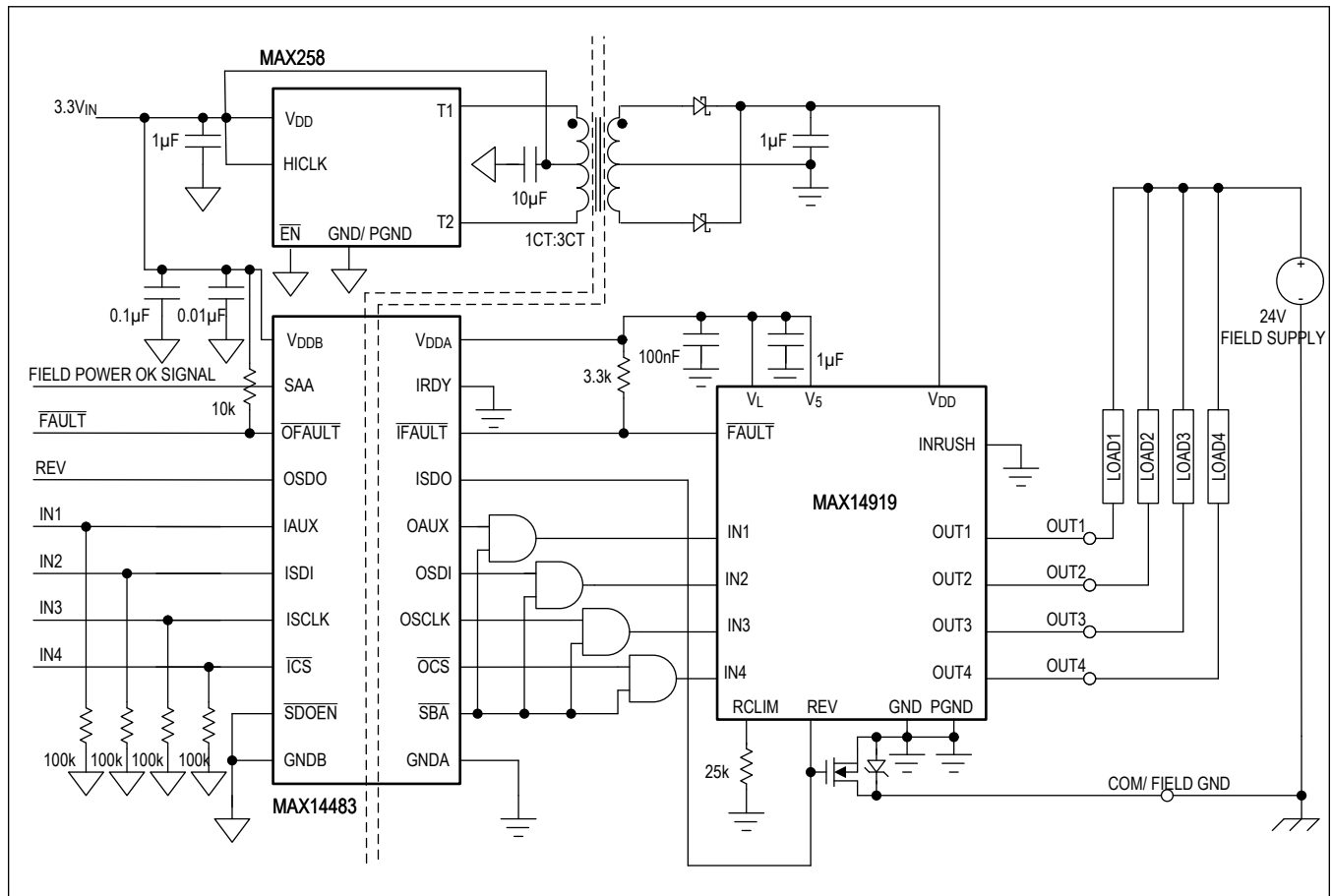
During turn-off of inductive loads by an OUT_ low-side switch, the kickback voltage generated by the inductance is clamped by the internal clamp to a voltage of +55V (typ) relative to PGND allowing fast demagnetization. Large load inductance and higher load currents in the inductive load increase the time until the inductance is demagnetized. This increases the energy in the clamp; hence, the internal temperature of MAX14919/MAX14919A and can result in a thermal overload with $\overline{\text{FAULT}}$ set low. Since large energy is dissipated in the device through the voltage clamp, the user must design the system keeping in mind the inductance of the load and its operating current. Failure to do so results in damage to the device.

Each switch is able to dissipate up to 200mJ of clamp energy during inductive load clamping at +125°C junction temperature (T_J).

Typical Application Circuits

Isolated Quad-Channel Digital-Output Application with Reverse-Load Polarity Protection

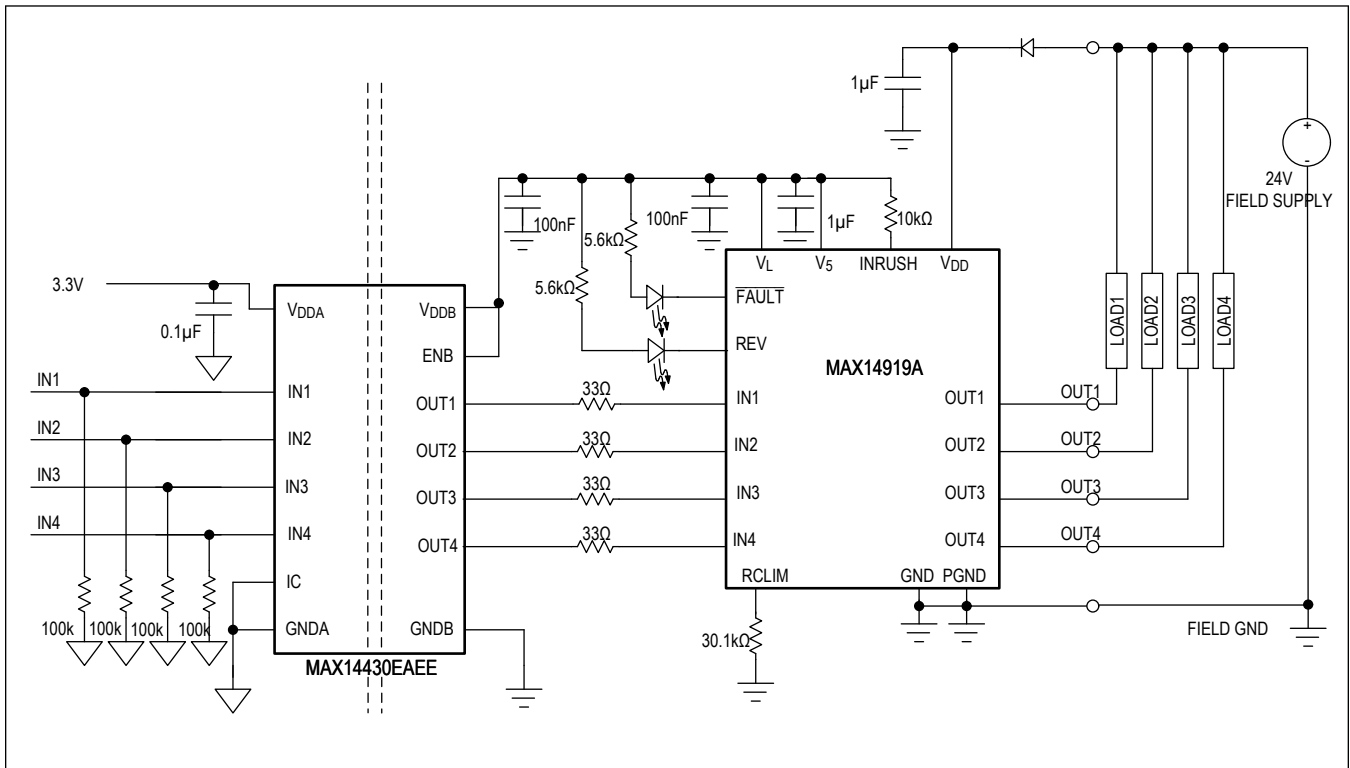
This [Typical Application Circuit](#) illustrates an isolated quad-channel low-side digital output with reverse-load polarity protection with a 800mA current limit. An unregulated supply from the transformer driver (MAX258) is supplied to the V_{DD} input of the MAX14919. The internal +5V LDO output is connected to the V_L logic-supply input. The MAX14919 V₅ output powers the MAX14483 isolator. MAX14483 enables a +3.3V to +5V interface while providing 3.75kV_{RMS} isolation. The field power-ok signal is a diagnostic provided by the MAX14483 to ensure field-side power is present while transmitting signals to the MAX14919 device. An external nFET (NTTFS5820NLTAG) along with the REV output provides reverse-load polarity protection. When OUT₋ and COM terminals are miswired, the currents flows into COM and out of OUT₋ channel. When the magnitude of current is greater than 150mA, the REV output is forced low, which switches off the nFET; thereby, cutting the path between COM and OUT₋. The unipolar TVS (SMCJ36A) protects the external nFET for surge when the nFET is off.



Typical Application Circuits (continued)

Field Isolated Quad-Channel Digital-Output Application with MAX14919A

This [Typical Application Circuit](#) illustrates an isolated quad-channel low-side digital output with 600mA current limit. The MAX14919A is powered from +24V field supply. The internal +5V V₅ output is connected to the VL logic supply input of the MAX14919A and the MAX14430 isolator. The MAX14430 enables a +3.3V to +5V interface while providing 3kV_{RMS} isolation.



Ordering Information

PART NUMBER	TEMP RANGE	PIN-PACKAGE
MAX14919AUP+	-40°C to +125°C	20 TSSOP-EP*
MAX14919AUP+T	-40°C to +125°C	20 TSSOP-EP*
MAX14919ATP+	-40°C to +125°C	20 TQFN-EP*
MAX14919ATP+T	-40°C to +125°C	20 TQFN-EP*
MAX14919AAUP+	-40°C to +125°C	20 TSSOP-EP*
MAX14919AAUP+T	-40°C to +125°C	20 TSSOP-EP*
MAX14919AATP+	-40°C to +125°C	20 TQFN-EP*
MAX14919AATP+T	-40°C to +125°C	20 TQFN-EP*

+Denotes lead(Pb)-free/RoHS-compliance.

T = Tape and reel.

*EP = Exposed pad.

Revision History

REVISION NUMBER	REVISION DATE	DESCRIPTION	PAGES CHANGED
0	10/20	Release for Market Intro	—
1	2/21	Updated the <i>General Description, Benefits and Features, Absolute Maximum Ratings, Package Description, Pin Configurations, and Reverse-Current Detection</i> sections; removed future product designation from MAX14919ATP+ and added MAX14919AAUP+ and MAX14919AAUP+T as future parts in the <i>Ordering Information</i>	1–2, 8, 13, 16
2	5/21	Added MAX14919A, updated <i>General Description, Benefits and Features, Simplified Low-Side Switch Application, Electrical Characteristics</i> table, TOCs 15, 16, 17, 18 and added TOC19, <i>Pin Configurations, Pin Description, Functional Diagrams, Detailed Description, Supply Powering Options with V_{DD} and V_5, FAULT Signaling, Chip Thermal Protection, Current Limiting, Inrush Current Mode, Reverse-Current Detection, Transient Energy Protection, Paralleling the Outputs, Surge Protection, Inductive Demagnetization, Isolated Quad-Channel Digital-Output Application with Reverse-Load Polarity Protection, Field Isolated Quad-Channel Digital Output Application with MAX14919A, and Ordering Information</i>	1–19
3	10/21	Updated <i>Electrical Characteristics</i> table, <i>Functional Block Diagram</i> , and <i>Ordering Information</i>	5, 12, 18
4	6/22	Updated <i>General Description, Benefits and Features, Typical Operating Characteristics</i> , and <i>Detailed Description</i> sections	1, 9, 13