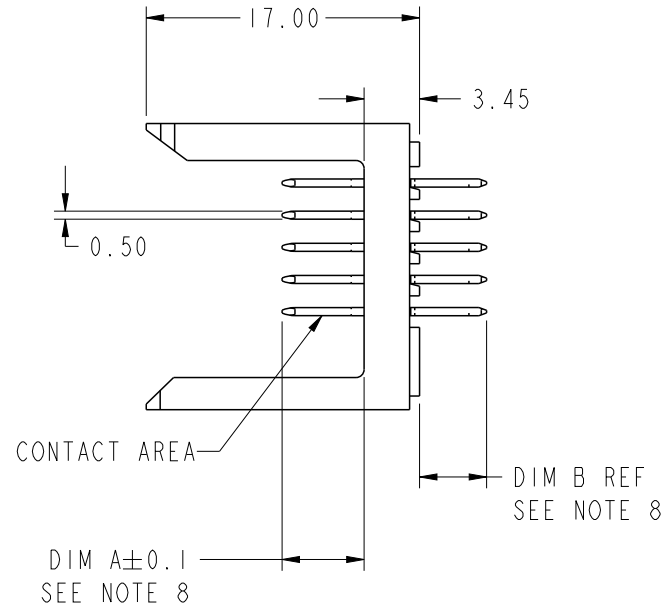
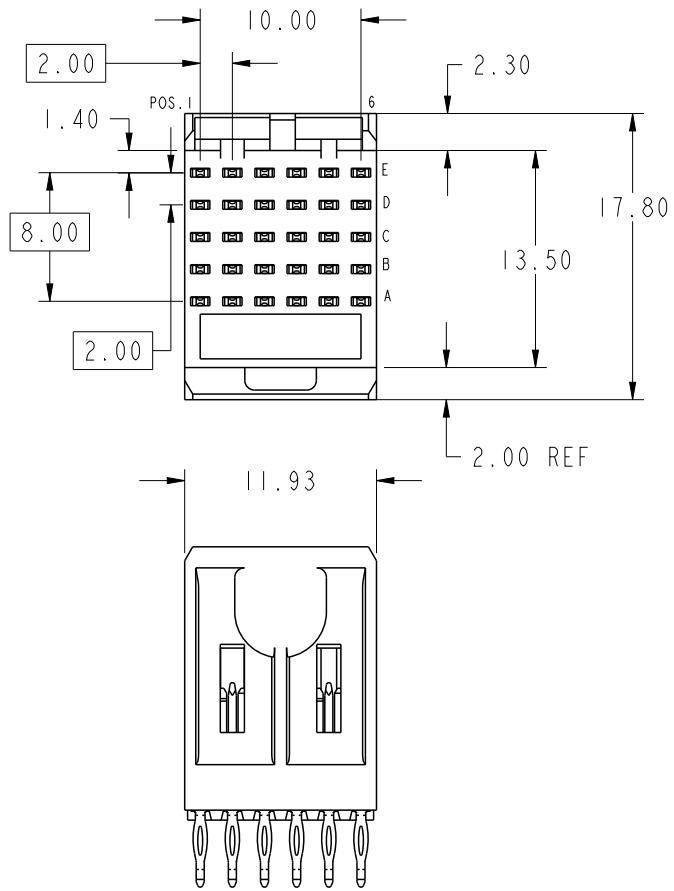
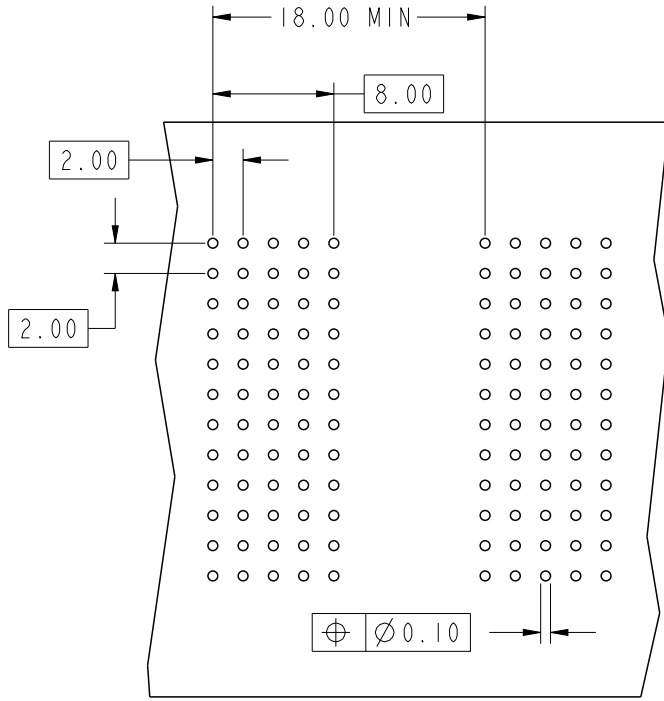


PRODUCT NUMBER

89006-XYLFF



spec ref *		dr Terran Huang		2010/07/09		projection		size A4		scale 2:1			
tolerance std		eng Narayanan, Aru		2018/07/12				mm		ecn no ELX-I-30699-1			
ISO 406 ISO 1101		chr -		-				← →		rel level Released			
TOLERANCES UNLESS OTHERWISE SPECIFIED		appr K-Paul Biju		2018/07/13		product family METRAL		rev		-			
surface 3.200		linear		0.X ±0.3		Amphenol FCI title METRAL SIGNAL HEADER 1 MOD, 5 ROW PRESS-FIT cat. no. -		dwg no 89006		rev BM			
ISO 1302		angular		0° ±2°				www.fci.com		Product - Customer Drw		sheet 1 of 9	



REQUIRED PC BOARD LAYOUT
COMPONENT SIDE
SEE PRINT 58351 FOR
ADDITIONAL PCB INFORMATION

KEY		
CODE	DIMENSIONS	
	DIM "A" MATE	DIM "B" TAIL
1	5.00	4.30
2	5.75	4.30
3	6.50	4.30
4	7.25	4.30
5	5.00	13.60
6	5.75	13.60
7	6.50	13.60
8	7.25	13.60
9	5.00	17.00
10	5.75	17.00
11	6.50	17.00
12	7.25	17.00
13	8.25	4.30
14	8.25	13.60
15	8.25	17.00
16	7.00	4.30
17	7.00	13.60
18	7.00	17.00
19	8.00	4.30
20	8.00	13.60
21	8.00	17.00
59	5.00	11.80

spec ref	*	dr	Terran Huang	2010/07/09	projection	mm	size	A4	scale	2:1	
tolerance std	TOLERANCES UNLESS OTHERWISE SPECIFIED	eng	Narayanan, Aru	2018/07/12				ecn no		ELX-I-30699-1	
ISO 406 ISO 1101		chr	-	-				rel level		Released	
surface	3.200 linear	appr	K-Paul Biju	2018/07/13	product family		METRAL		rev		
	0.X ±0.3				title METRAL SIGNAL HEADER I MOD, 5 ROW PRESS-FIT		dwg no 89006		rev BM		
	0.XX ±0.13										
	0.XXX ±0.050										
ISO 1302	angular 0° ±2°	www.fci.com			cat. no.		-		Product - Customer Drw		
							sheet 2 of 9				

A

B

C

D

METRAL P/N	ROW	CONTACT CODE MOD. I					
		1	2	3	4	5	6
89006-X10LF	E	1	1	1	1	1	1
	D	1	1	1	1	1	1
	C	1	1	1	1	1	1
	B	1	1	1	1	1	1
	A	1	1	1	1	1	1
89006-X14LF	E	4	4	4	4	4	4
	D	3	3	3	3	3	3
	C	4	4	4	4	4	4
	B	4	4	4	4	4	4
	A	4	4	4	4	4	4
89006-X19LF	E	4	4	4	4	4	4
	D	4	4	4	4	4	4
	C	4	4	4	4	4	4
	B	4	4	4	4	4	4
	A	4	4	4	4	4	4
89006-X23LF	E	8	8	8	8	8	8
	D	20	20	20	20	20	20
	C	8	8	8	8	8	8
	B	8	8	8	8	8	8
	A	8	8	8	8	8	8
89006-X27LF	E	6	6	6	6	6	6
	D	6	6	6	6	6	6
	C	6	6	6	6	6	6
	B	6	6	6	6	6	6
	A	20	20	20	20	20	20
89006-X32LF	E	12	12	12	12	12	12
	D	11	11	11	11	11	11
	C	11	11	11	11	11	11
	B	9	9	9	9	9	9
	A	9	9	9	9	9	9
89006-X11LF	E	3	3	3	3	3	3
	D	3	3	3	3	3	3
	C	3	3	3	3	3	3
	B	3	3	3	3	3	3
	A	3	3	3	3	3	3
89006-X15LF	E	1	1	1	1	1	1
	D	1	1	1	1	1	1
	C	1	1	1	1	1	1
	B	1	1	1	1	1	1
	A	3	3	3	3	3	3
89006-X20LF	E	5	5	5	5	5	5
	D	5	5	5	5	5	5
	C	5	5	5	5	5	5
	B	5	5	5	5	5	5
	A	5	5	5	5	5	5
89006-X24LF	E	8	8	8	8	8	8
	D	7	7	7	7	7	7
	C	8	8	8	8	8	8
	B	8	8	8	8	8	8
	A	8	8	8	8	8	8
89006-X29LF	E	8	8	8	8	8	8
	D	8	8	8	8	8	8
	C	8	8	8	8	8	8
	B	8	8	8	8	8	8
	A	8	8	8	8	8	8
89006-X33LF	E	12	12	12	12	12	12
	D	21	21	21	21	21	21
	C	12	12	12	12	12	12
	B	12	12	12	12	12	12
	A	12	12	12	12	12	12
89006-X12LF	E	4	4	4	4	4	4
	D	3	3	3	3	3	3
	C	3	3	3	3	3	3
	B	1	1	1	1	1	1
	A	1	1	1	1	1	1
89006-X16LF	E	2	2	2	2	2	2
	D	2	2	2	2	2	2
	C	2	2	2	2	2	2
	B	2	2	2	2	2	2
	A	2	2	2	2	2	2
89006-X21LF	E	7	7	7	7	7	7
	D	7	7	7	7	7	7
	C	7	7	7	7	7	7
	B	7	7	7	7	7	7
	A	7	7	7	7	7	7
89006-X25LF	E	5	5	5	5	5	5
	D	5	5	5	5	5	5
	C	5	5	5	5	5	5
	B	5	5	5	5	5	5
	A	7	7	7	7	7	7
89006-X30LF	E	9	9	9	9	9	9
	D	9	9	9	9	9	9
	C	9	9	9	9	9	9
	B	9	9	9	9	9	9
	A	9	9	9	9	9	9
89006-X34LF	E	12	12	12	12	12	12
	D	11	11	11	11	11	11
	C	12	12	12	12	12	12
	B	12	12	12	12	12	12
	A	12	12	12	12	12	12
89006-X13LF	E	4	4	4	4	4	4
	D	19	19	19	19	19	19
	C	4	4	4	4	4	4
	B	4	4	4	4	4	4
	A	4	4	4	4	4	4
89006-X17LF	E	2	2	2	2	2	2
	D	2	2	2	2	2	2
	C	2	2	2	2	2	2
	B	2	2	2	2	2	2
	A	19	19	19	19	19	19
89006-X22LF	E	8	8	8	8	8	8
	D	7	7	7	7	7	7
	C	7	7	7	7	7	7
	B	5	5	5	5	5	5
	A	5	5	5	5	5	5
89006-X26LF	E	6	6	6	6	6	6
	D	6	6	6	6	6	6
	C	6	6	6	6	6	6
	B	6	6	6	6	6	6
	A	6	6	6	6	6	6
89006-X31LF	E	11	11	11	11	11	11
	D	11	11	11	11	11	11
	C	11	11	11	11	11	11
	B	11	11	11	11	11	11
	A	11	11	11	11	11	11
89006-X35LF	E	9	9	9	9	9	9
	D	9	9	9	9	9	9
	C	9	9	9	9	9	9
	B	9	9	9	9	9	9
	A	11	11	11	11	11	11

spec ref	*	dr	Terran Huang	2010/07/09	projection	mm	size	A4	scale	1:1							
tolerance std	TOLERANCES UNLESS OTHERWISE SPECIFIED	eng	Narayanan, Aru	2018/07/12			ecn no	ELX-I-30699-1									
ISO 406		chr	-	-				rel level	Released								
ISO 1101		appr	K-Paul Biju	2018/07/13	product family	METRAL											
surface	3.200	Amphenol FCI	METRAL SIGNAL HEADER			dwg no	89006			rev							
	linear										0.X	±0.3	www.fci.com	cat. no.	-	Product - Customer Drw	sheet 3 of 9
	angular										0°	±2°					

A

B

C

D

METRAL P/N	ROW	CONTACT CODE MOD. I						METRAL P/N	ROW	CONTACT CODE MOD. I						METRAL P/N	ROW	CONTACT CODE MOD. I						METRAL P/N	ROW	CONTACT CODE MOD. I						METRAL P/N	ROW	CONTACT CODE MOD. I													
		1	2	3	4	5	6			1	2	3	4	5	6			1	2	3	4	5	6			1	2	3	4	5	6			1	2	3	4	5	6	1	2	3	4	5	6		
89006-X61LF	E	10	10	10	10	10	10	89006-X65LF	E	9	9	9	9	9	9	89006-X69LF	E	12	12	12	12	12	12	89006-X73LF	E	4	4	4	4	4	4	89006-X77LF	E	3	3	3	3	3	3	89006-X81LF	E	7	7	7	7	7	7
	D	9	9	9	9	9	9		D	21	21	21	21	21	D		11	11	11	11	11	11	D		4	4	4	4	4	4	D		19	19	19	19	19	19	D		20	20	20	20	20	20	
	C	10	10	10	10	10	10		C	9	9	9	9	9	9		C	11	11	11	11	11	11		C	4	4	4	4	4	4		C	4	4	4	4	4	4		C	7	7	7	7	7	7
	B	10	10	10	10	10	10		B	21	21	21	21	21	21		B	11	11	11	11	11	11		B	4	4	4	4	4	4		B	3	3	3	3	3	3		B	20	20	20	20	20	20
	A	11	11	11	11	11	11		A	9	9	9	9	9	9		A	21	21	21	21	21	21		A	13	13	13	13	13	13		A	3	3	3	3	3	3		A	7	7	7	7	7	7

spec ref	*	dr	Terran Huang	2010/07/09	projection	mm	size	A4	scale	1:1
tolerance std	ISO 406 ISO 1101	eng	Narayanan, Aru	2018/07/12			ecn no	ELX-I-30699-1		
TOLERANCES UNLESS OTHERWISE SPECIFIED		chr	-	-				rel level	Released	
surface	3.200 linear	appr	K-Paul Biju	2018/07/13	product family		METRAL		rev	BM
	ISO 1302				METRAL SIGNAL HEADER		89006		sheet 5 of 9	
	angular	0°	±0.3	±0.13	±0.050	1 MOD, 5 ROW PRESS-FIT		www.fci.com		cat. no.

A

B

C

D

METRAL P/N	ROW	CONTACT CODE MOD. I					
		1	2	3	4	5	6
89006-X85LF	E	7	7	7	7	7	7
	D	7	7	7	7	7	7
	C	6	6	6	6	6	6
	B	7	7	7	7	7	7
	A	7	7	7	7	7	7

spec ref	*	dr	Terran Huang	2010/07/09	projection	mm	size	A4	scale	1:1
tolerance std	ISO 406 ISO 1101	eng	Narayanan, Aru	2018/07/12			ecn no	ELX-I-30699-1		
surface	3.200 ✓ ISO 1302	chr	-	-			rel level	Released		
	0.X ±0.3 0.XX ±0.13 0.XXX ±.050	appr	K-Paul Biju	2018/07/13	product family	METRAL			rev	BM
angular	0° ±2°	www.fci.com		cat. no.	-	Product - Customer Drw	sheet 6 of 9			

A

B

C

D

METRAL P/N	ROW	CONTACT CODE MOD. I					
		1	2	3	4	5	6
89006-X109LF	E	59	59	59	59	59	59
	D	59	59	59	59	59	59
	C	59	59	59	59	59	59
	B	59	59	59	59	59	59
	A	77	77	77	77	77	77
89006-X113LF	E	66	66	66	66	66	65
	D	66	66	66	66	66	66
	C	66	66	66	66	66	66
	B	66	66	66	66	66	66
	A	66	66	66	66	66	66
89006-X117LF	E	66	66	66	66	66	66
	D	86	66	66	66	66	66
	C	66	66	66	66	66	66
	B	66	86	66	66	66	66
	A	66	86	66	66	66	66
89006-X121LF	E	86	66	66	66	66	66
	D	86	66	66	66	66	66
	C	56	66	66	66	66	66
	B	86	66	66	66	66	66
	A	86	66	66	66	66	66
89006-X125LF	E	66	66	66	66	66	66
	D	66	66	66	66	66	66
	C	20	20	20	20	20	20
	B	66	66	66	66	66	66
	A	66	66	66	66	66	66
89006-X129LF	E	22	22	22	22	44	44
	D	22	22	22	22	44	44
	C	22	22	22	22	44	42
	B	22	22	22	22	44	44
	A	22	22	22	22	22	21
89006-X110LF	E	32	22	22	22	22	22
	D	32	22	22	22	22	22
	C	32	22	22	22	22	22
	B	32	22	22	22	22	22
	A	32	22	22	22	22	22
89006-X114LF	E	42	23	32	42	42	42
	D	42	23	32	42	42	42
	C	42	23	32	42	42	42
	B	42	23	32	42	42	42
	A	42	23	32	42	42	42
89006-X118LF	E	86	66	66	66	66	66
	D	86	66	66	66	66	66
	C	86	66	66	66	66	66
	B	86	66	66	66	66	66
	A	86	66	66	66	66	66
89006-X122LF	E	33	32	22	22	22	22
	D	22	22	22	22	22	22
	C	22	22	22	22	22	22
	B	22	22	22	22	22	22
	A	22	22	22	22	22	22
89006-X126LF	E	22	22	42	22	22	22
	D	22	22	42	22	22	22
	C	22	22	42	22	22	22
	B	22	22	42	22	22	22
	A	22	22	22	22	22	22
89006-X130LF	E	22	22	22	22	22	22
	D	44	44	44	44	44	44
	C	44	44	44	44	44	44
	B	44	44	44	44	44	44
	A	22	22	22	22	22	22
89006-X111LF	E	22	22	22	22	23	23
	D	22	22	22	22	23	23
	C	22	22	22	22	23	23
	B	22	22	22	22	23	23
	A	22	22	22	22	23	23
89006-X115LF	E	22	22	12	22	22	22
	D	22	22	12	22	22	22
	C	22	22	12	22	22	22
	B	22	22	12	22	22	22
	A	12	22	12	22	22	22
89006-X119LF	E	22	22	22	22	22	22
	D	22	22	22	22	22	22
	C	12	22	22	22	22	22
	B	12	22	22	22	22	22
	A	12	22	22	22	22	22
89006-X123LF	E	22	22	22	22	22	22
	D	22	22	22	22	22	22
	C	19	19	19	19	19	19
	B	22	22	22	22	22	22
	A	22	22	22	22	22	22
89006-X127LF	E	22	42	22	22	22	22
	D	24	42	22	22	22	22
	C	24	42	22	22	22	22
	B	24	42	22	22	22	22
	A	22	42	22	22	22	22
89006-X131LF	E	86	66	86	66	66	66
	D	86	66	86	66	66	66
	C	88	88	88	56	66	66
	B	86	66	86	66	66	66
	A	86	66	86	66	66	66
89006-X112LF	E	76	66	66	66	66	66
	D	76	66	66	66	66	66
	C	76	66	66	66	66	66
	B	76	66	66	66	66	66
	A	76	66	66	66	66	66
89006-X116LF	E	56	66	66	66	66	66
	D	56	66	66	66	66	66
	C	56	66	66	66	66	66
	B	56	66	66	66	66	66
	A	56	66	66	66	66	66
89006-X120LF	E	22	22	22	22	42	42
	D	22	22	22	22	42	42
	C	22	22	22	22	42	42
	B	22	22	22	22	42	42
	A	22	22	22	22	42	42
89006-X124LF	E	22	22	12	22	22	22
	D	22	22	22	22	22	22
	C	22	22	22	22	22	22
	B	22	22	22	22	22	22
	A	22	22	22	22	22	22
89006-X128LF	E	22	22	42	22	22	22
	D	22	22	42	42	22	22
	C	22	22	42	42	22	22
	B	22	22	42	42	22	22
	A	22	22	42	22	22	22
89006-X132LF	E	86	76	66	66	66	66
	D	86	76	66	66	66	66
	C	56	66	86	66	66	66
	B	88	78	86	66	66	66
	A	88	78	86	66	66	66

spec ref	*	dr	Terran Huang	2010/07/09	projection	mm	size	A4	scale	1:1
tolerance std	ISO 406 ISO 1101	eng	Narayanan, Aru	2018/07/12			ecn no	ELX-I-30699-1		
TOLERANCES UNLESS OTHERWISE SPECIFIED		chr	-	-				rel level	Released	
surface	3.200 ✓ ISO 1302	appr	K-Paul Biju	2018/07/13	product family		METRAL		rev	BM
	linear				METRAL SIGNAL HEADER		dwg no	89006		
	0.X	±0.3								
	0.XX	±0.13								
	0.XXX	±.050								
	angular	0°		±2°						
		www.fci.com		cat. no.		-		Product - Customer Drw		sheet 7 of 9

METRAL P/N	ROW	CONTACT CODE MOD. I						METRAL P/N	ROW	CONTACT CODE MOD. I						METRAL P/N	ROW	CONTACT CODE MOD. I						METRAL P/N	ROW	CONTACT CODE MOD. I						METRAL P/N	ROW	CONTACT CODE MOD. I																										
		1	2	3	4	5	6			1	2	3	4	5	6			1	2	3	4	5	6			1	2	3	4	5	6			1	2	3	4	5	6	1	2	3	4	5	6															
89006-X133LF	E	2	2	2	2	2	89006-X137LF	E	2	2	2	3	3	2	89006-X141LF	E	1	1	1	1	3	3	89006-X145LF	E	5	5	1	1	7	5	89006-X149LF	E	2	2	2	2	2	1	89006-X153LF	E	2	2	2	2	2	2														
	D	2	2	2	2	2		D	2	2	2	3	3	2		D	1	1	1	1	3	3		D	5	5	1	1	7	5		D	2	2	2	2	2	2		D	2	2	2	2	2	2														
	C	2	2	2	2	2		C	2	2	2	3	3	2		C	3	3	3	3	3	3		C	5	5	1	1	7	7		C	2	2	2	2	2	2		C	2	2	2	2	2	2	C	2	2	2	2	2	2							
	B	2	2	2	2	2		B	2	2	2	3	3	2		B	1	1	1	1	3	1		B	5	5	1	1	7	5		B	2	2	2	2	2	2		B	2	2	2	2	2	2	B	2	2	2	2	2	2	B	2	2	2	2	2	2
	A	2	2	1	2	2		2	A	2	2	2	3	3		2	A	1	1	1	1	3		1	A	5	5	1	1	7		5	A	2	2	2	2	2		2	A	2	2	2	2	2	2	A	2	2	2	2	2	2	A	4	2	2	2	2

spec ref	*	dr	Terran Huang	2010/07/09	projection	mm	size	A4	scale	1:1	
tolerance std	ISO 406 ISO 1101	eng	Narayanan, Aru	2018/07/12			ecn no	ELX-I-30699-1			
surface	3.200 ✓ ISO 1302	chr	-	-			product family	METRAL			rel level
	angular	0°	±2°	www.fci.com	METRAL SIGNAL HEADER 1 MOD, 5 ROW PRESS-FIT			cat. no.	-	Product - Customer Drw	sheet 8 of 9
	near	0.X	±0.3	Amphenol FCI	dwg no	89006			rev	BM	
		0.XX	±0.13								
		0.XXX	±.050								

PRODUCT NUMBER

89006-XYLFL


NOTES:

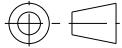
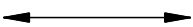
1. FOR DIM A AND B SEE SHEET 2 AND UP.
2. BODY MATERIAL: LIQUID CRYSTAL
POLYMER 30 % GLASS.
FLAME RETARDANT ACC. UL 94-V0.
3. PIN MATERIAL:
PHOSPHOR BRONZE.
4. PLATING ON PRESS-FIT TAIL:
73931-XYLFL IS SN (LEAD FREE)
PLATING ON CONTACT AREA CONFORMS TO PERFORMANCE
LEVEL SHOWN IN TABLE BELOW.

PLATING IN CONTACT AREA		
DASH NUMBER	PERFORMANCE LEVEL	NOTES
-NIYY	TELCORDIA CO (NXT) IEC CLASS I	SEE NOTE 9
-N5YFLF	TELCORDIA UE (NXT)	SEE NOTE 9
-1YYLF	TELCORDIA CO IEC CLASS I	SEE NOTE 9
-2YYLF	TELECOM CLASS	SEE NOTE 9
-5YYLF	TELCORDIA UE	SEE NOTE 9

5. PRODUCT MARKING:
PART NUMBER DESIGNATION & BATCH I.D.
6. ALL PRODUCTS WITH PART NUMBERS SHOWN IN
SUBSEQUENT TABLES WILL BE PACKAGED IN TUBES.
IF TRAY PACKAGING IS REQUIRED, A SUFFIX "P"
WILL BE ADDED TO THE END OF THE PART NUMBER.
EXAMPLE: XXXXX-XXXP
7. PRODUCT SPECIFICATION GS-12-180
APPLICATION SPECIFICATION BUS-20-073
8. AFTER INSERTION INTO CIRCUIT BOARD WITH
QUALIFIED TOOL.
9. THE PRODUCTS WHERE THE PART NUMBER ENDS IN LF MEET THE
EUROPEAN UNION DIRECTIVES AND OTHER COUNTRY REGULATIONS
AS DESCRIBED IN GS-47-0004.

ALL PRODUCTS EXCEPT THOSE WITH PART NUMBERS CONTAINING
(DRAWING NO.)-N1--- OR (DRAWING NO.)-N5---WILL WITHSTAND EXPOSURE
TO 260°C FOR 60 SECONDS IN A CONVECTION, INFRA-RED OR
VAPOR PHASE REFLOW OVEN. PART NUMBERS (DRAWING NO.)-N1---
AND (DRAWINGS NO.)-N5---WILL NOT WITHSTAND REFLOW AND Au CONTACT
SURFACE OF THE CONTACTS SHALL BE EXPOSED TO A MAXIMUM 140°C FOR
NO LONGER THAN 15 SECONDS IN A WAVE SOLDER APPLICATION.

10. -A PLATING HAS Au FLASH IN PRESS FIT AREA (LEAD FREE)
11. A  SYMBOL WILL BE NEXT TO ANY DIMENSION, VIEW, OR NOTE
WHICH HAS BEEN MODIFIED WITH THE CURRENT DRAWING REVISION.

spec ref *		dr	Terran Huang	2010/07/09	projection 	mm 	size	A4	scale	1:1	
tolerance std		eng	Narayanan, Aru	2018/07/12			ecn no	ELX-I-30699-1			
ISO 406 ISO 1101		chr	-	-			rel level	Released			
TOLERANCES UNLESS OTHERWISE SPECIFIED		appr	K-Paul Biju	2018/07/13	product family		METRAL				
surface 3.200	linear	0.X	±0.3		Amphenol FCI	title	METRAL SIGNAL HEADER				
		0.XX	±0.13								
		0.XXX	±.050								
ISO 1302	angular	0°	±2°		www.fci.com	cat. no.	-	Product - Customer Drw	sheet 9 of 9		
						dwg no	89006		rev	BM	