

# LED-25-8V/12V/24V DC P

SPECIFICATIONS

### Standards

Converter meets CE standard  
 UL class 2 recognized component  
 File # E164062

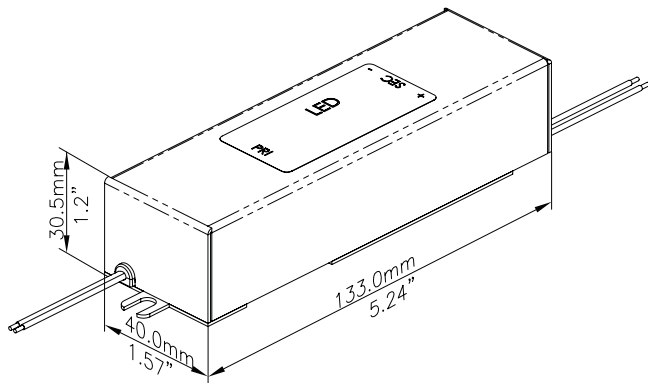
### Available Versions

901025008P-LED 25 8V DC P  
 901025012P-LED 25 12V DC P  
 901025024P-LED 25 24V DC P

### Mechanical and Thermal

Dimensions (mm)    30.5 x 40 x 133  
 Dimensions (in.)    1.2 x 1.57 x 5.24  
 Weight            300 grams, 10.58 ounces  
 Tc Max             90°C  
 Ta Max             50°C

Aluminium casing  
 Output wire 0.75mm<sup>2</sup>/18 AWG Teflon  
 Input wire 0.75mm<sup>2</sup>/18 AWG 300V  
 180°C/200°C  
 Waterproof potting



### Electrical

Load	1-25VA
Input	100-277V 0/50/60Hz
Output Voltage (Max. load)	8V/12V/24VDC
Efficiency	80%
EMC (RFI)	FCC Class B/EN 55015
Harmonics	EN 61000-3-2
Electrostatic Discharge	IEC61000-4-2
EMC Immunity	IEC61000-4-3
Burst	IEC61000-4-4
Surge	IEC61000-4-5
Injected RF	IEC61000-4-6
Mains interruption	IEC61000-4-11
Immunity	EN 61547/61047
Safety	EN 61347-2-2
SELV	

### Protection and Regulation

Electronic internal resettable short circuit protection.  
 Overload and thermal regulation.  
 Voltage Regulation.

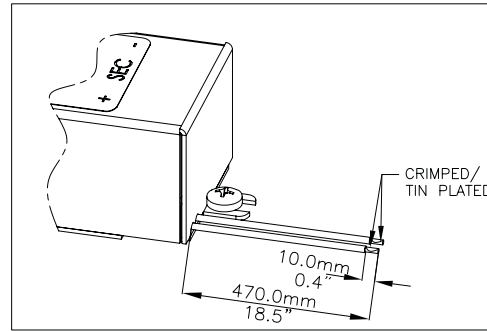
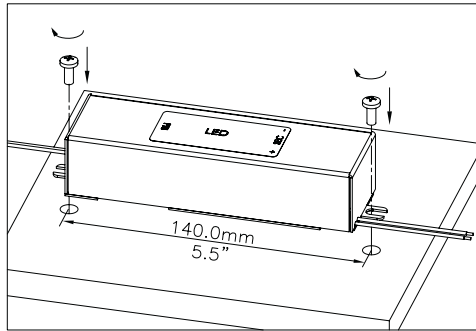
See reverse side for more information →



[www.lighttechinc.com](http://www.lighttechinc.com)

# LED-25-8V/12V/24V DC P

## Mounting Instructions



## Safety Instructions:

1. Always disconnect power before installation and/or removal of the unit.
2. Install in accordance with national and local electrical codes.
3. Wires: Input and output wires 0.75mm<sup>2</sup> or 18AWG.