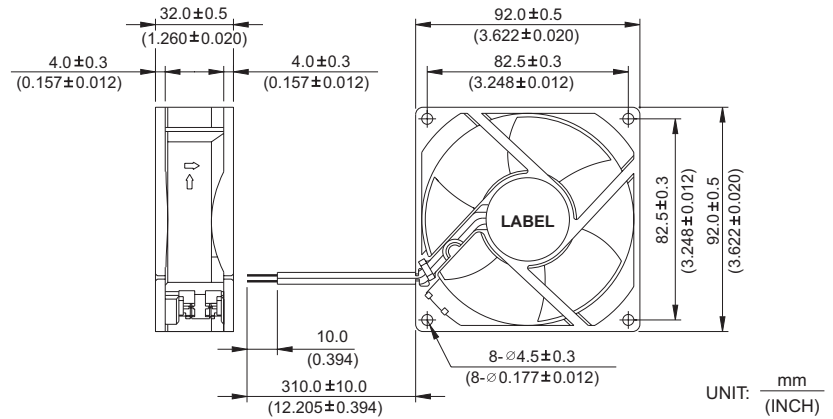


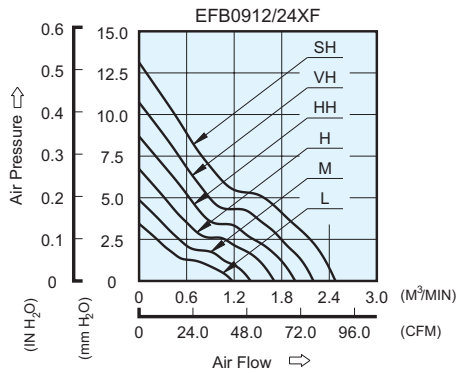
# EFB 92 x 92 x 32 MM SERIES

## DIMENSIONS DRAWING

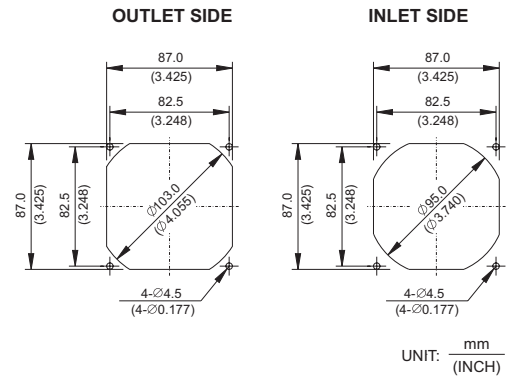


- \* Bearing Type: Ball Bearings
- \* Material: Impeller & Frame : Plastic (UL 94V-0)
- \* Lead Wires : UL 1007 AWG #24 Or Equivalent
- Red Wire Positive (+)
- Black Wire Negative (-)
- \* Weight : 140g (4.94 oz)

## P & Q CURVE (AT RATED VOLTAGE)



## MOUNTING PANEL CUTOUT



MODEL		Rated Voltage	Operating Voltage Range	Rated Current	Rated Input Power	Speed	Maximum Air Flow		Maximum Air Pressure		Noise
PART NO.	FUNCTION	VDC	VDC	Amp	Watt	R.P.M.	m <sup>3</sup> /min	CFM	mmH <sub>2</sub> O	IN H <sub>2</sub> O	dB-A
EFB0912LF	-R00 / -F00	12	7.0 to 13.8	0.10	1.20	2300	1.176	41.52	3.43	0.135	28.0
EFB0924LF	-R00 / -F00	24	14.0 to 27.6	0.05	1.20						
EFB0912MF	-R00 / -F00	12	7.0 to 13.8	0.15	1.80	2800	1.407	49.68	4.87	0.191	32.0
EFB0924MF	-R00 / -F00	24	14.0 to 27.6	0.07	1.68						
EFB0912HF	-R00 / -F00	12	7.0 to 13.8	0.21	2.52	3300	1.705	60.20	6.73	0.265	36.0
EFB0924HF	-R00 / -F00	24	14.0 to 27.6	0.09	2.16						
EFB0912HHF	-R00 / -F00	12	7.0 to 13.8	0.29	3.48	3800	1.970	69.56	8.68	0.342	39.5
EFB0924HHF	-R00 / -F00	24	14.0 to 27.6	0.13	3.12						
EFB0912VHF	-R00 / -F00	12	7.0 to 13.8	0.38	4.56	4300	2.200	77.68	10.72	0.422	43.0
EFB0924VHF	-R00 / -F00	24	14.0 to 27.6	0.18	4.32						
EFB0912SHF	-R00 / -F00	12	7.0 to 13.8	0.50	6.00	4800	2.478	87.50	13.13	0.517	47.0
EFB0924SHF	-R00 / -F00	24	14.0 to 27.6	0.25	6.00						

\* Function type is optional.  
 \* The max. air flow and the speed are measured in free air ; max. air pressure is measured at zero air flow.  
 \* Noise is measured in anechoic chamber in free air, one meter from intake side.  
 \* All readings are typical values at rated voltage.  
 \* Specifications are subject to change without notice.