

1.85 mm TO 65 GHz

1.85 mm Cable Assemblies

RF047-A, RF086



VSWR

RF047-A: 1.40 max.
RF086: 1.40 max.

| SERIES | END 1 CONNECTOR | END 2 CONNECTOR | OVERALL LENGTH |
|--------|-----------------|-----------------|----------------|
|--------|-----------------|-----------------|----------------|

RF047-A
= (1.2 mm) .047" overshield DIA 29 AWG millimeter wave cable

RF086
= (2.18 mm) .086" overshield DIA 23 AWG millimeter wave cable

-18SJ
= 1.85 mm Straight Jack

-18SP
= 1.85 mm Straight Plug

-“XXXX”
= Overall Length in millimeters

-0100 (100 mm) 3.94" minimum

ALSO AVAILABLE

1.00 mm, 1.35 mm, 2.40 mm,
2.92 mm, SMPM, SMP, SMA = RF047-A

2.40 mm, 2.92 mm, SMPM, SMP, SMA = RF086

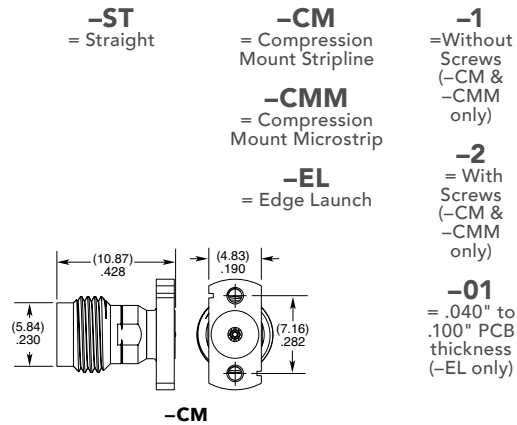
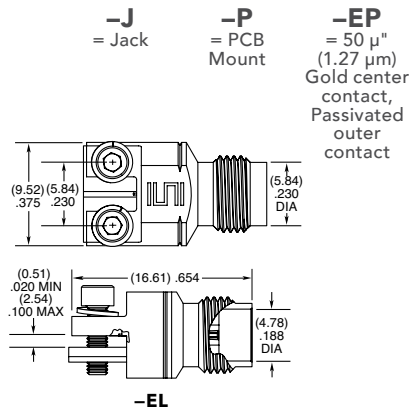
1.85 mm Board Connectors

185

Cable Mates:
RF047-A, RF086



| 185 | GENDER | TYPE | PLATING | ORIENTATION | TERMINATION | OPTION | PACKAGING |
|-----|--------|------|---------|-------------|-------------|--------|-----------|
|-----|--------|------|---------|-------------|-------------|--------|-----------|



1.85 mm Cable Connectors

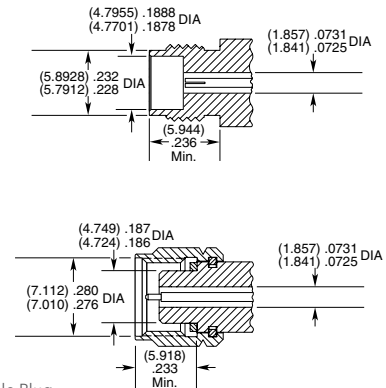
PRF18



| CONNECTORS FOR INDUSTRY STANDARD CABLES | |
|---|----------------------|
| PRF18-J-C-EP-085-BS | Harbour SS405 |
| PRF18-P-C-EP-085-SS | Harbour SS405 |
| PRF18-P-C-EE-085-SD | Harbour SS405 |
| PRF18-J-C-EP-086-SS | Temp-Flex 1001935086 |
| PRF18-J-C-EP-047A-SS | Temp-Flex 1000671047 |
| PRF18-P-C-EP-047A-SS | Temp-Flex 1000671047 |
| PRF18-J-C-EP-047D-SS | .047 Semi-Rigid |
| PRF18-P-C-EP-047D-SS | .047 Semi-Rigid |
| PRF18-P-C-EE-047D-SD | .047 Semi-Rigid |
| PRF18-P-C-EE-047H-SD | EZ-47-LA Semi-Rigid |
| PRF18-P-C-EP-070-SD | EZ-70-LA Semi-Rigid |
| PRF18-J-C-EE-405-SD | RG 405 Semi-Rigid |
| PRF18-P-C-EE-405-SD | RG 405 Semi-Rigid |
| PRF18-P-C-EP-086E-SS | Dynawave DF165 |

For a complete list of 1.85 mm cable connectors, visit www.samtec.com?PRF18

INTERFACE STANDARD



P-C = Cable Plug
J-C = Cable Jack
EE = Plating (50 μ" gold center contact, & outer contact)
EP = Plating (50 μ" gold center contact, passivated outer contact)
SS = Straight, Solder Clamp
SD = Straight, Direct Solder
BS = Bulkhead, Solder Clamp