
Fast and easy migration from DC barrel to Type-C

Introduction

The EVAL-SCS001V1 reference design let you create a USB Type-C connector quickly and easily in order to power any application up to 100 W (20 V, 5 A).

The status LED indicates the operating status of the STUSB4500 and USB PD port.

The USB PD port is pre-configured with the following default voltage values:

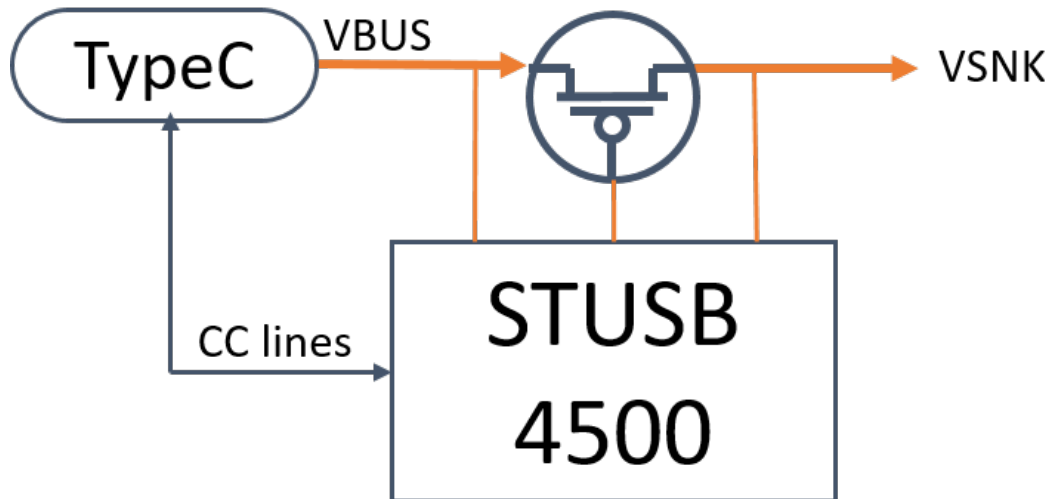
- PDO1: 5 V / 1.5 A
- PDO2: 15 V / 1.5 A
- PDO3: 20 V / 1.0 A

Figure 1. EVAL-SCS001V1 board photo



1 Functional diagram

Figure 2. EVAL-SCS001V1 functional diagram



2 Getting started

The Type-C port is managed by the STUSB4500 in fully autonomous mode. When a connection is detected, the load device (VSNK) is connected to VBUS power by the PMOS controlled by the STUSB4500 device.

When attached to a Type-C / Power Delivery source, the STUSB4500 negotiates voltage according to the following priority list:

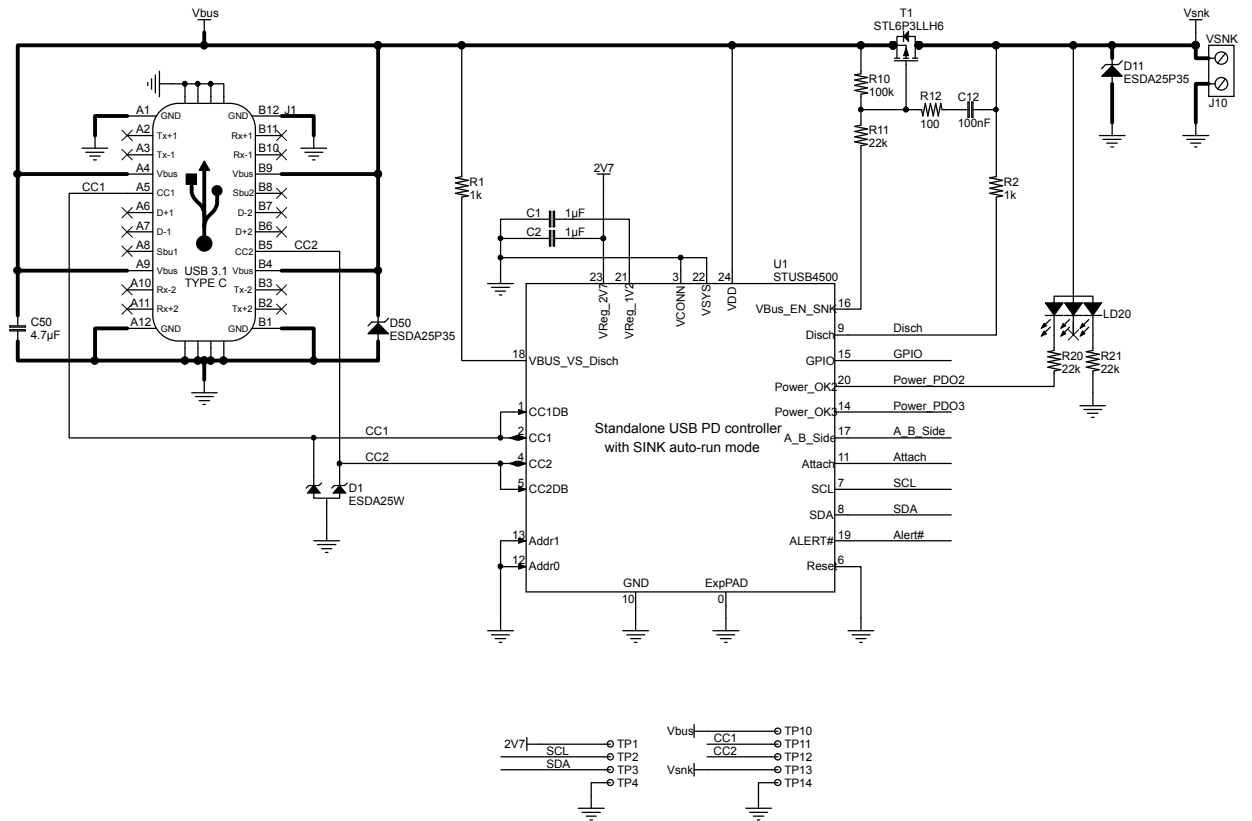
- 20 V / 1.0 A (PDO3 : preferred)
- 15 V / 1.5 A (PDO2)
- 5 V / 1.5 A (PDO1 : default)

A status LED indicates the voltage present on the VSNK:

- Light blue = 5 V
- Pink = PDO2 / 15 V
- Bright blue = 20 V

3 Schematic diagram

Figure 3. EVAL-SCS001V1 schematic diagram



4 Bill of material

Item	Q.ty	Ref.	Value	Package	Manufacturer	Order code
1	2	C1, C2	1 μ F	Capacitor 1 μ F X5R 6V3 20% 0402	Würth Elektronik	885012105006
2	1	C12	100 nF	Capacitor 100nF X5R 25V 20% 0402	Würth Elektronik	885012105018
3	1	C50	4.7 μ F	Capacitor 4.7 μ F X7R 25 V 20% 0805	Würth Elektronik	885012107018
4	1	D1	25 V TRANSIL SOT323	Dual Transil array for ESD protection in SOT323 Vbr = 25 V	ST	ESDA25W
5	2	D11, D50	22 V	High power transient voltage suppressor Vbr = 24.6	ST	ESDA25P35-1U1M
6	1	J1		USB 3.1 Type C Receptacle Horizontal THR WR-COM 1.6mm PCB thickness	Würth Elektronik	632723300011
7	1	J10		2 way PCB vertical mount SCREW terminal, 2.54mm	Würth Elektronik	691210910002
8	1	LD20		RGB led 1.6 x 1.6 mm Diffused	Würth Elektronik	150066M153000
9	2	R1, R2	1 k \pm 5%	0603 SMD resistor		
10	1	R10	100 k \pm 5%	0402 SMD resistor		
11	3	R11, R20, R21	22 k \pm 5%	0402 SMD resistor		
12	1	R12	100 \pm 5%	0402 SMD resistor		
13	1	T1	STL6P3LLH6	P-channel 30 V, 0.024 Ω typ., 6 A STripFET H6 Power MOSFET in a PowerFLAT 3.3 x 3.3 package	ST	STL6P3LLH6
14	1	U1	STUSB4500	Standalone USB PD controller with SINK auto-run mode in QFN24 4x4mm	ST	STUSB4500QTR

5 Board layout

Figure 4. EVAL-SCS001V1 dimensions

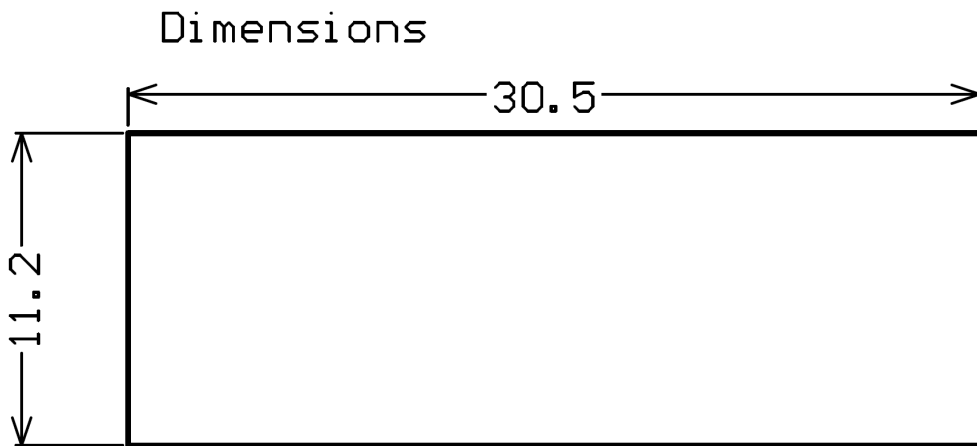


Figure 5. EVAL-SCS001V1 drill guide

Drill Guide

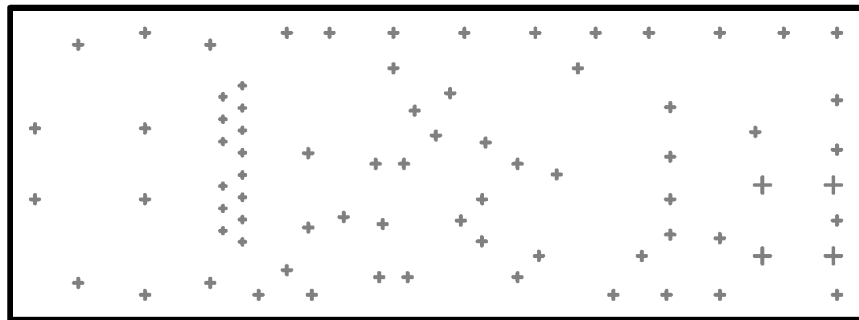


Figure 6. EVAL-SCS001V1 top layer

Top Layer

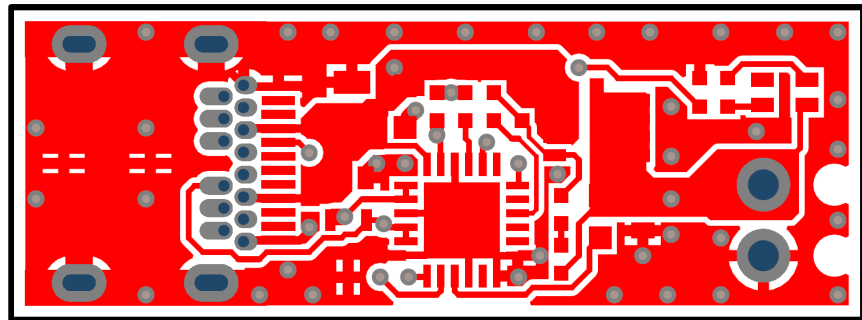


Figure 7. EVAL-SCS001V1 bottom layer

Bottom Layer

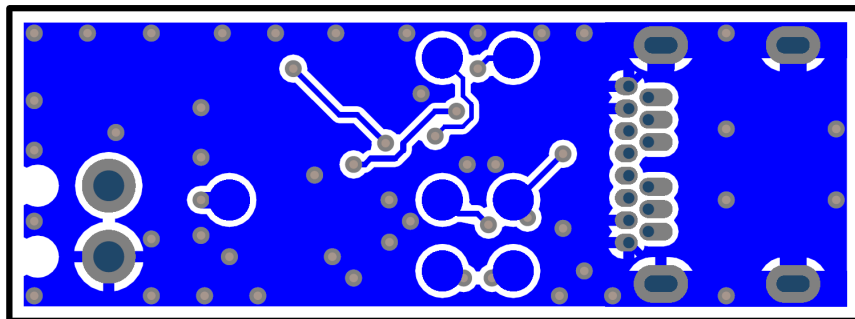


Figure 8. EVAL-SCS001V1 top silkscreen

Top Overlay

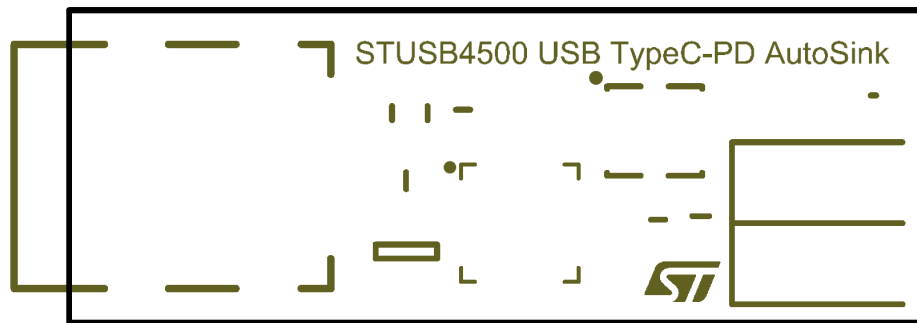


Figure 9. EVAL-SCS001V1 bottom silkscreen

Bottom Overlay



Figure 10. EVAL-SCS001V1 top solder resist

Top Solder

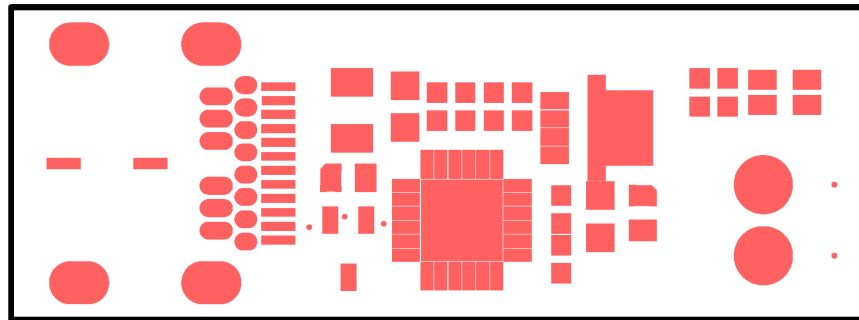


Figure 11. EVAL-SCS001V1 bottom solder resist

Bottom Solder

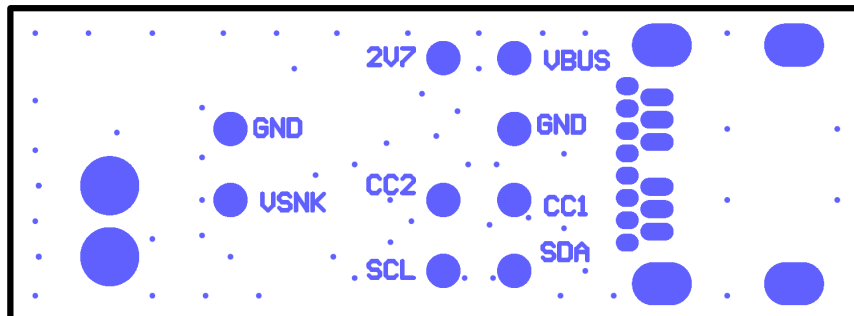


Figure 12. EVAL-SCS001V1 top solder paste

Top Paste

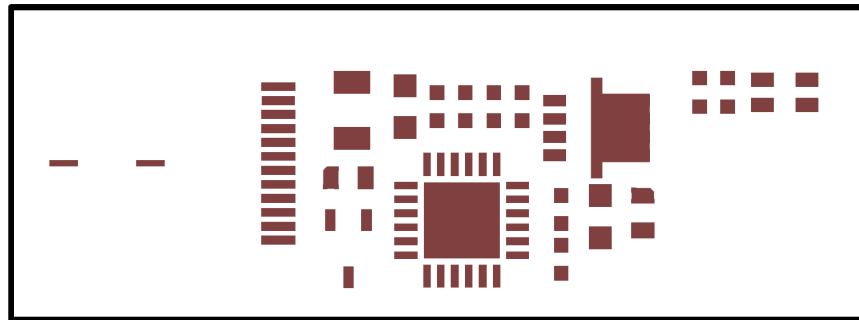


Figure 13. EVAL-SCS001V1 bottom solder paste

Bottom Paste



Figure 14. EVAL-SCS001V1 top assembly

Top Assembly

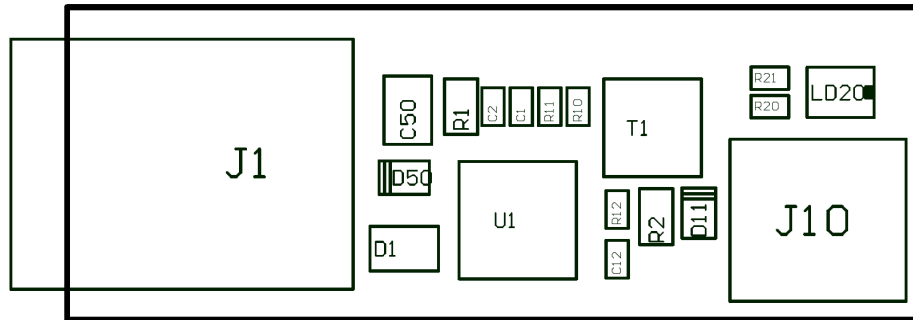


Figure 15. EVAL-SCS001V1 bottom assembly

Bottom Assembly



Figure 16. EVAL-SCS001V1 top assembly (composite)

Top Assembly

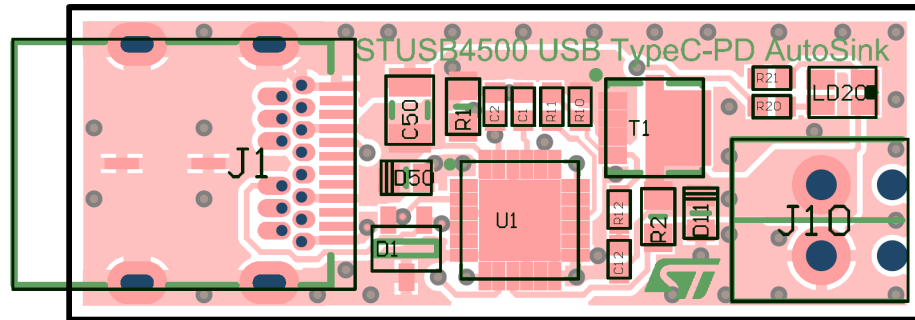
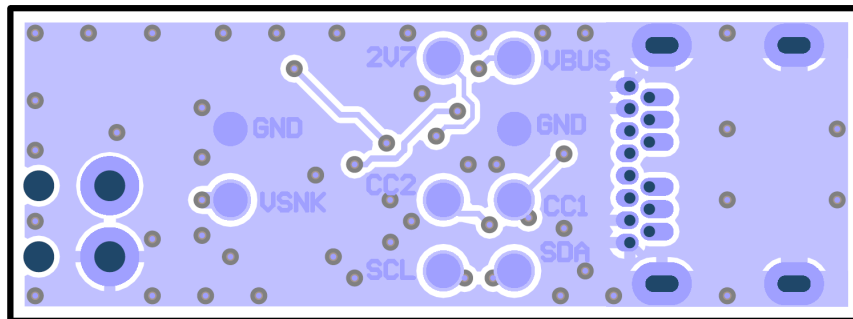


Figure 17. EVAL-SCS001V1 bottom assembly (composite)

Bottom Assembly



5.1 Layout constraints

The VBUS connection to the PMOS Source must be as direct as possible. Use a wide track or routing plane and place the clamping diode (TVS) and input capacitor on this track (no stub or distant connection).

Similarly, the VSNK connection from the PMOS Drain must be as direct as possible. Use a wide track or routing plane and place the clamping diode (TVS) and output capacitor on this track (no stub or distant connection).

The ground path must have the lowest possible resistance.

The STSUB4500 decoupling capacitors must be placed close to the 1V2 and 2V7 pads. You should not use these voltages sources for other purposes.

Protection diodes (such as the ESDA25W) should be placed on the CC1 and CC2 lines. You should have a direct connection from the Type-C connector pin to the diode pad, and a direct connection from diode pad to the STUSB4500 pad.

6 Board customization

The STUSB4500 has embedded non-volatile memory (NVM) for off-line parameter storage (such as PDO values). This memory can be set via the I²C interface using STSW-STUSB002 software and an NUCLEOF072RB board. The PADS for I²C connection are available on the bottom of the board. Solder wires between these pads and the Nucleo board:

- GND to Nucleo CN10 pin 9
- SCL to Nucleo CN10 pin 3
- SDA to Nucleo CN10 pin 5

Please refer to the STSW-STUSB002 documentation for further details.

Revision history

Table 1. Document revision history

Date	Version	Changes
28-May-2019	1	Initial release.

Contents

1	Functional diagram	2
2	Getting started	3
3	Schematic diagram	4
4	Bill of material	5
5	Board layout	6
	5.1 layout constraints	12
6	Board customization	13
	Revision history	14

List of tables

Table 1. Document revision history 14

List of figures

Figure 1.	EVAL-SCS001V1 board photo	1
Figure 2.	EVAL-SCS001V1 functional diagram	2
Figure 3.	EVAL-SCS001V1 schematic diagram	4
Figure 4.	EVAL-SCS001V1 dimensions	6
Figure 5.	EVAL-SCS001V1 drill guide	6
Figure 6.	EVAL-SCS001V1 top layer	7
Figure 7.	EVAL-SCS001V1 bottom layer	7
Figure 8.	EVAL-SCS001V1 top silkscreen	8
Figure 9.	EVAL-SCS001V1 bottom silkscreen	8
Figure 10.	EVAL-SCS001V1 top solder resist	9
Figure 11.	EVAL-SCS001V1 bottom solder resist	9
Figure 12.	EVAL-SCS001V1 top solder paste	10
Figure 13.	EVAL-SCS001V1 bottom solder paste	10
Figure 14.	EVAL-SCS001V1 top assembly	11
Figure 15.	EVAL-SCS001V1 bottom assembly	11
Figure 16.	EVAL-SCS001V1 top assembly (composite)	12
Figure 17.	EVAL-SCS001V1 bottom assembly (composite)	12

IMPORTANT NOTICE – PLEASE READ CAREFULLY

STMicroelectronics NV and its subsidiaries (“ST”) reserve the right to make changes, corrections, enhancements, modifications, and improvements to ST products and/or to this document at any time without notice. Purchasers should obtain the latest relevant information on ST products before placing orders. ST products are sold pursuant to ST’s terms and conditions of sale in place at the time of order acknowledgement.

Purchasers are solely responsible for the choice, selection, and use of ST products and ST assumes no liability for application assistance or the design of Purchasers’ products.

No license, express or implied, to any intellectual property right is granted by ST herein.

Resale of ST products with provisions different from the information set forth herein shall void any warranty granted by ST for such product.

ST and the ST logo are trademarks of ST. For additional information about ST trademarks, please refer to www.st.com/trademarks. All other product or service names are the property of their respective owners.

Information in this document supersedes and replaces information previously supplied in any prior versions of this document.

© 2019 STMicroelectronics – All rights reserved