

440EPx

PowerPC 440EPx Embedded Processor

Data Sheet

Features

- PowerPC® 440 processor operating up to 667MHz with 32KB I-cache and D-cache with parity checking.
- 16KB of on-chip SRAM.
- Selectable processor:bus clock ratios of N:1, N:2.
- Floating Point Unit with single- and double-precision and single-cycle throughput.
- Dual bridged Processor Local Buses (PLBs) with 64- and 128-bit widths.
- Double Data Rate 2/1 (DDR2/1) Synchronous DRAM (SDRAM) interface operating up to 166MHz (333 MHz data transfer rate) with optional ECC.
- DMA support for external peripherals, internal UART and memory.
- Programmable Interrupt Controller supports interrupts from a variety of sources.
- Programmable General Purpose Timers (GPT).
- PCI V2.2 interface (3.3V only). Thirty-two bits at up to 66MHz.
- Two Ethernet 10/100/1000Mbps half- or full-duplex interfaces. Operational modes supported are with packet reject, Jumbo frames, and interrupt coalescing.
- Up to four serial ports (16550 compatible UART).
- One USB 2.0 Device or Host interface with internal PHY and one USB 2.0 direct Device UTMI interface.
- External peripheral bus (32-bit data) for up to six devices with external mastering.
- Two IIC interfaces (one with boot parameter read capability).
- NAND Flash interface.
- SPI interface.
- General Purpose I/O (GPIO) interface.
- JTAG interface for board level testing.
- Boot from PCI memory, NOR Flash on the external peripheral bus, or NAND Flash on the NAND Flash interface.
- Optional security feature (PPC440EPx-S).
- Available in RoHS compliant, lead-free package.

Description

Designed specifically to address high-end embedded applications, the PowerPC 440EPx (PPC440EPx) provides a high-performance, low-power solution that interfaces to a wide range of peripherals and incorporates on-chip power management features.

This chip contains a high-performance RISC processor, on-chip SRAM, a floating point unit, DDR2/1 SDRAM controller, PCI bus interface, control for external ROM and peripherals, DMA with scatter/gather support, Ethernet ports, serial ports, IIC interfaces, SPI interface, USB ports, NAND Flash interface, an optional security feature

(PPC440EPx-S), and general purpose I/O.

Technology: CMOS Cu-11, 0.13µm.

Package: 35mm, 680-ball thermally enhanced plastic ball grid array (TE-EPBGA). RoHS compliant package available.

Typical power: Less than 3W at 533MHz.

Supply voltages required: 3.3V, 2.5V, 1.8V (DDR2) or 2.5V (DDR1), 1.5V.

Contents

Ordering and PVR Information	4
Address Maps	5
Block Diagram	5
PowerPC 440 Processor	10
Floating Point Unit (FPU)	10
SRAM Controller	10
Internal Buses	11
Security Function (optional)	11
KASUMI Algorithm (optional)	12
PCI Controller	12
DDR2/1 SDRAM Memory Controller	13
External Peripheral Bus Controller (EBC)	13
Ethernet Controller	14
DMA-to-PLB3 (64-bit) Controller	14
DMA-to-PLB4 (128-bit) Controller	14
Serial Ports (UART)	15
IIC Bus Controller	15
Serial Peripheral Controller (SPI/SCP)	15
Universal Serial Bus 2.0 (USB)	16
NAND Flash Controller	16
General Purpose Timers (GPT)	16
General Purpose IO (GPIO) Controller	17
Universal Interrupt Controller (UIC)	17
JTAG	17
Package Diagram	18
Signal Lists	20
Signal Descriptions	55
Device Characteristics	66
Spread Spectrum Clocking	74
I/O Specifications	75
DDR2/1 SDRAM I/O Specifications	84
DDR SDRAM Write Operation	87
DDR SDRAM Read Operation	90
Strapping	92
Serial EEPROM	92

Data Sheet**Figures**

Figure 1. Order Part Number Key	4
Figure 2. PPC440EPx Functional Block Diagram	5
Figure 3. 35mm, 680-Ball TE-EPBGA Package	18
Figure 4. Overshoot Waveform	68
Figure 5. Timing Waveform	74
Figure 6. Input Setup and Hold Waveform	78
Figure 7. Output Delay and Float Timing Waveform	78
Figure 8. Setup and Hold Timing Waveforms for RGMII Signals	79
Figure 9. DDR SDRAM Simulation Signal Termination Model	86
Figure 10. DDR SDRAM Write Cycle Timing	87
Figure 11. DDR SDRAM DQS Read Timing	90

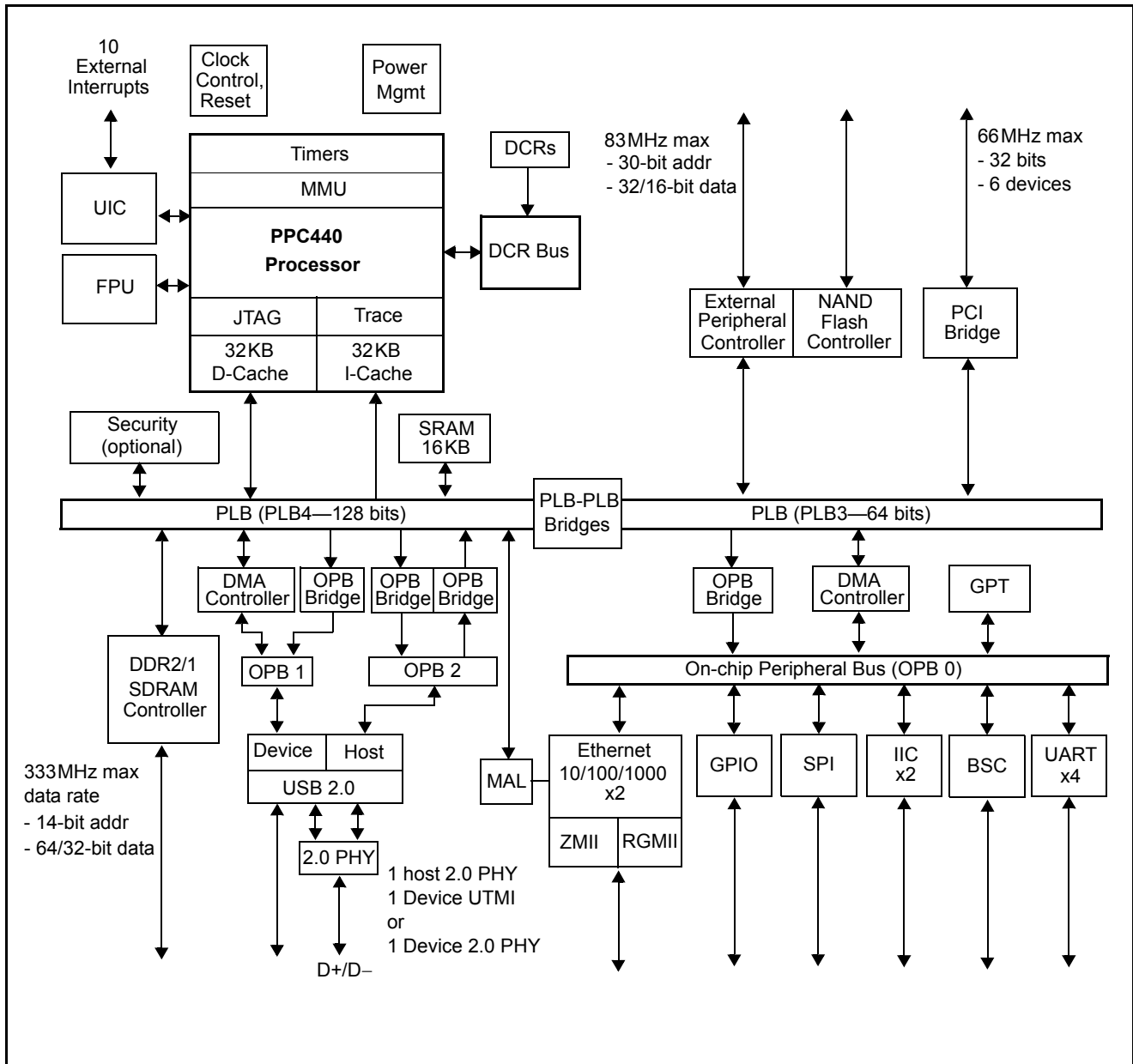
Tables

Table 1. System Memory Address Map	6
Table 2. DCR Address Map	8
Table 3 Recommended Reflow Soldering Profile	19
Table 4. JEDEC Moisture Sensitivity Level and Ball Composition	19
Table 5. Signals Listed Alphabetically	20
Table 6. Signals Listed by Ball Assignment	46
Table 7. Pin Summary	55
Table 8. Signal Functional Description	57
Table 9. Absolute Maximum Ratings	66
Table 10. Recommended DC Operating Conditions	66
Table 11. Overshoot and Undershoot	68
Table 12. Typical DC Power Supply Requirements Using DDR2 Memory	69
Table 13. Typical DC Power Supply Requirements Using DDR1 Memory	70
Table 14. V_{DD} Supply Power Dissipation	70
Table 15. DC Power Supply Loads	71
Table 16. Package Thermal Specifications	72
Table 17. Clocking Specifications	73
Table 18. Peripheral Interface Clock Timings	75
Table 19. RGMII I/O Timing	79
Table 20. I/O Specifications—PCI, USB, UART, IIC, SPI, Ethernet, System and Debug Interfaces	80
Table 21. I/O Specifications—EBC, EBMI, DMA and NAND Flash Interfaces	83
Table 22. Input Capacitance	84
Table 23. DDR SDRAM Output Driver Specifications	86
Table 24. DDR SDRAM Write Operation Conditions	87
Table 25. I/O Timing—DDR SDRAM T_{DS}	88
Table 26. I/O Timing—DDR SDRAM T_{SK} , T_{SA} , and T_{HA}	88
Table 27. I/O Timing—DDR SDRAM T_{SD} and T_{HD}	89
Table 29. Strapping Pin Assignments	92

Data Sheet

Block Diagram

Figure 2. PPC440EPx Functional Block Diagram



The PPC440EPx is a system on a chip (SOC) using IBM CoreConnect Bus™ Architecture.

Address Maps

The PPC440EPx incorporates two address maps. The first is a fixed processor System Memory Address Map. This address map defines the possible contents of various address regions which the processor can access. The second is the DCR Address Map for Device Configuration Registers (DCRs). The DCRs are accessed by software running on the PPC440EPx processor through the use of **mtdcr** and **mf dcr** instructions.

Table 1. System Memory Address Map (Sheet 1 of 2)

Function	Sub Function	Start Address	End Address	Size
Total System Memory Address Space		0 0000 0000	1 FFFF FFFF	8GB
Local Memory	DDR SDRAM	0 0000 0000	0 7FFF FFFF	2GB
	Reserved	0 8000 0000	0 DFFF FFFF	
USB 2.0 Device	OPB1 Arbiter	0 E000 0000	0 E000 003F	64B
	Reserved	0 E000 0040	0 E000 00FF	
	Device Controller	0 E000 0100	0 E000 017F	128B
	Reserved	0 5000 0180	0 5000 01FF	
USB 2.0 Host	OPB2 Arbiter	0 E000 0200	0 E000 023F	64B
	Reserved	0 E000 0240	0 E000 02FF	
	Host EHIC	0 E000 0300	0 E000 03FF	256B
	Host OHIC	0 E000 0400	0 E000 04FF	256B
	Reserved	0 E000 0500	0 E000 FFFF	
On-Chip Memory	SRAM	0 E001 0000	0 E001 3FFF	16KB
	Reserved	0 E001 4000	0 E00F FFFF	
Security (PPC440EPx-S)	Security Function	0 E010 0000	0 E017 FFFF	512KB
	KASUMI Algorithm	0 E018 0000	0 E018 07FF	2KB
	Reserved	0 E018 0800	1 7FFF FFFF	
PCI ¹	Memory	1 8000 0000	1 BFFF FFFF	1GB
EBC ¹	Controller	1 C000 0000	1 DFFF FFFF	512MB
	Reserved	1 E000 0000	1 E7FF FFFF	
PCI ¹	I/O	1 E800 0000	1 E800 FFFF	64KB
	Reserved	1 E801 0000	1E87F FFFF	
	I/O	1 E880 0000	1 EBFF FFFF	56MB
	Reserved	1 EC00 0000	1 EEBF FFFF	
	Configuration Registers	1 EEC0 0000	1 EEC0 0007	8B
	Reserved	1 EEC0 0008	1 EECF FFFF	
	Interrupt Ack/Special Cycle	1 EED0 0000	1 EED0 0003	4B
	Reserved	1 EED0 0004	1 EF3F FFFF	
	Local Configuration Registers	1 EF40 0000	1 EF40 003F	64B
	Reserved	1 EF40 0040	1 EF4F FFFF	

Data Sheet

Table 1. System Memory Address Map (Sheet 2 of 2)

Function	Sub Function	Start Address	End Address	Size
Internal Peripherals	Reserved	1 EF50 0000	1 EF5F FFFF	
	General Purpose Timer	1 EF60 0000	1 EF60 01FF	512B
	Reserved	1 EF60 0200	1 EF60 02FF	
	UART0	1 EF60 0300	1 EF60 0307	8B
	Reserved	1 EF60 0308	1 EF60 03FF	
	UART1	1 EF60 0400	1 EF60 0407	8B
	Reserved	1 EF60 0408	1 EF60 04FF	
	UART2	1 EF60 0500	1 EF60 0507	8B
	Reserved	1 EF60 0508	1 EF60 05FF	
	UART3	1 EF60 0600	1 EF60 0607	8B
	Reserved	1 EF60 0608	1 EF60 06FF	
	IIC0	1 EF60 0700	1 EF60 071F	32B
	Reserved	1 EF60 0720	1 EF60 07FF	
	IIC1	1 EF60 0800	1 EF60 081F	32B
	Reserved	1 EF60 0820	1 EF60 08FF	
	SPI	1 EF60 0900	1 EF60 0906	6B
	Reserved	1 EF60 0907	1 EF60 09FF	
	OPB0 Arbiter	1 EF60 0A00	1 EF60 0A3F	64B
	Reserved	1 EF60 0A40	1 EF60 0AFF	
	GPIO0 Controller	1 EF60 0B00	1 EF60 0B7F	128B
	Reserved	1 EF60 0B80	1 EF60 0BFF	
	GPIO1 Controller	1 EF60 0C00	1 EF60 0C7F	128B
	Reserved	1 EF60 0C80	1 EF60 0CFF	
	Ethernet PHY ZMII	1 EF60 0D00	1 EF60 0D0F	16B
	Reserved	1 EF60 0D10	1 EF60 0DFF	
	Ethernet 0 Controller	1 EF60 0E00	1 EF60 0E77	120B
	Reserved	1 EF60 0E78	1 EF60 0EFF	
	Ethernet 1 Controller	1 EF60 0F00	1 EF60 0F77	120B
	Reserved	1 EF60 0F78	1 EF60 0FFF	
	Ethernet PHY RGMII	1 EF60 1000	1 EF60 1103	264B
Reserved	1 EF60 1080	1 EFFF FFFF		
EBC ¹		1 F000 0000	1 FFDF FFFF	254MB
Boot space	EBC Bank 0 or PCI	1 FFE0 0000	1 FFFF FFFF	2MB

Notes:

1. EBC and PCI are relocatable, but this map reflects the suggested configuration.

Table 2. DCR Address Map (Sheet 1 of 2)

Function	Start Address	End Address	Size
Total DCR Address Space¹	000	3FF	1KW (4KB) ¹
By function:			
Reserved	000	00B	12W
Clocking Power On Reset (CPR0)	00C	00D	2W
System DCRs (SDR0)	00E	00F	2W
Memory Controller (SDRAM0)	010	011	2W
External Bus Controller (EBC0)	012	013	2W
Reserved	014	01F	12W
PLB4-to-PLB3 Bridge	020	02F	16W
PLB3-to-PLB4 Bridge	030	03F	16W
Reserved	040	06F	48W
PLB3 Arbiter	070	07F	16W
PLB4 Arbiter	080	08F	16W
PLB3-to-OPB0 Bridge	090	09F	16W
Reserved	0A0	0AF	16W
Power Management	0B0	0B7	8W
Reserved	0B8	0BF	8W
Interrupt Controller 0	0C0	0CF	16W
Interrupt Controller 1	0D0	0DF	16W
Interrupt Controller 2	0E0	0EF	16W
Power Management 1	0F0	0F7	8W
Reserved	0F8	0FF	8W
DMA-to-PLB3 Controller	100	13F	64W
Reserved	140	17F	64W
Ethernet MAL	180	1FF	128W
PLB4-to-OPB1 Bridge	200	20F	16W
Reserved	210	2FF	240W
DMA-to-PLB4 Controller	300	33F	64W
PLB4-to-OPB2 Bridge	340	34F	16W
OPB2-to-PLB4 Bridge	350	357	8W
Reserved	358	35F	8W
USB 2.0 Host OPB Master DCR	360	367	8W
Reserved	368	36F	8W
USB 2.0 Host OPB Slave DCR	370	373	4W
Reserved	374	37F	12W

Data Sheet

Table 2. DCR Address Map (Sheet 2 of 2)

Function	Start Address	End Address	Size
On Chip Memory (SRAM Controller)	380	38F	16W
Reserved	390	3FF	112W

Notes:

1. DCR addresses are 10 bits (1024 or 1K unique addresses). Each unique address represents a single 32-bit (word) register. One kiloword (1024W) equals 4KB (4096 B).

PPC440EPx Features

PowerPC 440 Processor

The PowerPC 440 processor is designed for high-end applications: RAID controllers, SAN, iSCSI, routers, switches, printers, set-top boxes, etc. It implements the Book E PowerPC embedded architecture and uses the 128-bit version of IBM's on-chip CoreConnect Bus Architecture.

Features include:

- Up to 667MHz operation
- PowerPC Book E architecture
- 32KB I-cache, 32KB D-cache
 - UTLB Word Wide parity on data and tag address parity with exception force
- Three logical regions in D-cache: locked, transient, normal
- D-cache full line flush capability
- 41-bit virtual address, 36-bit (64 GB) physical address
- Superscalar, out-of-order execution
- 7-stage pipeline
- 3 execution pipelines
- Dynamic branch prediction
- Memory management unit
 - 64-entry, full associative, unified TLB with optional parity
 - Separate instruction and data micro-TLBs
 - Storage attributes for write-through, cache-inhibited, guarded, and big or little endian
- Debug facilities
 - Multiple instruction and data range breakpoints
 - Data value compare
 - Single step, branch, and trap events
 - Non-invasive real-time trace interface
- 24 DSP instructions
 - Single cycle multiply and multiply-accumulate
 - 32 x 32 integer multiply
 - 16 x 16 -> 32-bit MAC

Floating Point Unit (FPU)

The chip has a built-in super scalar FPU that supports both single- and double-precision operations, and offers single cycle through put on most instructions.

Features include:

- Five stages with 2 MFlops/Hz
- Hardware support for IEEE 754
- Single- and double-precision
- Single-cycle throughput on most instructions
- Thirty-two 64-bit floating point registers

SRAM Controller

The internal SRAM controller (ISC) supports the following features:

- One bank (Bank 0) of 16KB configurable as 4KB, 8KB or 16KB (128 bits wide)
- 128-bit slave attachment addressable by any PLB master
- Transfers by PLB slave cycles:
 - Single-beat read and write (1 to 8 bytes for 64-bit masters, 1 to 16 bytes for 128-bit masters)
 - 4-word line read and write
 - 8-word line read and write
 - Double word read and write bursts for 64-bit masters
 - Quadword read and write bursts for 128-bit masters

Data Sheet

- Slave-terminated double word and quadword fixed length bursts
- Master-terminated variable length bursts
- Guarded memory access on 4 KB boundaries
- Data parity checking
- Data transfers occur at PLB bus speeds.
- Power management

Internal Buses

The PowerPC 440EPx features six standard internal buses: two Processor Local Buses (PLBs), three On-Chip Peripheral Buses (OPBs), and the Device Control Register Bus (DCR). The high performance, high bandwidth cores such as the PowerPC 440 processor, the DDR SDRAM memory controller, and the PCI bridge connect to the PLBs. OPB0 hosts lower data rate peripherals. OPB1 is dedicated to USB 2.0 Device support, and OPB2 is dedicated to USB 2.0 Host. The daisy-chained DCR provides a lower bandwidth path for passing status and control information between the processor and the other on-chip cores.

Features include:

- PLB4 (128-bit)
 - 128-bit implementation of the PLB architecture
 - Separate and simultaneous read and write data paths
 - 36-bit address
 - Simultaneous control, address, and data phases
 - Four levels of pipelining
 - Byte-enable capability supporting unaligned transfers
 - 32- and 64-byte burst transfers
 - 166MHz, maximum 5.3GB/s (simultaneous read and write)
 - Processor:bus clock ratios of N:1 and N:2
- PLB3 (64-bit)
 - 64-bit implementation of the PLB architecture
 - 32-bit address
 - 166MHz (1:1 ratio with PLB4), maximum 1.3GB/s (no simultaneous read and write)
- OPBs (OPB0, OPB1, and OPB2)
 - 32-bit data path
 - 32-bit address
 - 83MHz
- DCR
 - 32-bit data path
 - 10-bit address

Security Function (optional)

The built-in security function (PPC440EPx-S only) is a cryptographic engine attached to the 128-bit PLB with built-in DMA and interrupt controllers.

Features include:

- Federal Information Processing Standard (FIPS) 140-2 design
- Support for an unlimited number of Security Associations (SA)
- Different SA formats for each supported protocol (IPsec/SSL/TLS/sRTP)
- Internet Protocol Security (IPSec) features
- Full packet transforms (ESP & AH)
- Complete header and trailer processing (IPv4 and IPv6)
- Multi-mode automatic padding
- "Mutable bit" handler for AH, including IPv4 option and IPv6 extension headers

- Secure Socket Layer (SSL) and Transport Layer Security (TLS) features
 - Packet transforms
 - One-pass hash-then-encrypt for SSL and TLS packet transforms for inbound packet using Stream Cipher
- Secure Real-Time Protocol (sRTP) features
 - Packet transforms
 - ROC removal and TAG insertion
 - Variable bypass offset of header length per packet
- IPsec/SSL security acceleration engine
- DES, 3DES, AES, ARC-4 encryption
- MD-5, SHA-1 hashing, HMAC encrypt-hash and hash-decrypt, and KASUMI
- Public key acceleration for RSA, DSA and Diffie-Hellman
- True or pseudo random number generators
 - Non-deterministic true random numbers
 - Pseudo random numbers with lengths of 8B or 16B
 - ANSI X9.17 Annex C compliant using a DES algorithm
- Interrupt controller
 - Fifteen programmable, maskable interrupts
 - Initiate commands via an input interrupt
 - Sixteen programmable interrupts indicating completion of certain operations
 - All interrupts mapped to one level- or edge-sensitive programmable interrupt output
- DMA controller
 - Autonomous, 4-channel
 - 1024-words (32 bits/word) per DMA transfer
 - Scatter/gather capability with byte aligned addressing

KASUMI Algorithm (optional)

- Key scheduling hardware
- *f8* and *f9* algorithm support
- Automatic data padding mechanism for *f9* algorithm
- KASUMI encryption and decryption modes
- 32-bit slave interface
- Fully synchronous to PLB clock

PCI Controller

The PCI interface allows connection of PCI devices to the PowerPC processor and local memory. This interface is designed to Version 2.2 of the PCI Specification and supports 32-bit PCI devices.

Reference Specifications:

- PowerPC CoreConnect Bus (PLB) Specification Version 3.1
- PCI Specification Version 2.2
- PCI Bus Power Management Interface Specification Version 1.1

Features include:

- PCI 2.2
 - Frequency to 66MHz
 - 32-bit bus
- PCI Host Bus Bridge or an Adapter Device's PCI interface
- Internal PCI arbitration function, supporting up to six external devices, that can be disabled for use with an external arbiter
- Support for Message Signaled Interrupts
- Simple message passing capability
- Asynchronous to the PLB

Data Sheet

- PCI Power Management 1.1
- PCI register set addressable both from on-chip processor and PCI device sides
- Ability to boot from PCI bus memory
- Error tracking/status
- Supports initiation of transfers of the following types:
 - Single beat I/O reads and writes
 - Single beat and burst memory reads and writes
 - Single beat configuration reads and writes (type 0 and type 1)
 - Single beat special cycles

DDR2/1 SDRAM Memory Controller

The Double Data Rate 2/1 (DDR2/1) SDRAM memory controller supports industry standard discrete devices that are compatible with both the DDR1 or DDR2 specifications. The correct I/O supply voltage must be provided for the two types of DDR devices: DDR1 devices require +2.5V and DDR2 devices require +1.8V.

Global memory timings, address and bank sizes, and memory addressing modes are programmable.

Features include:

- 32-bit memory interface for DDR1
- 32- or 64-bit memory interface for DDR2
- Optional Error Checking and Correcting (ECC)
- 2.6-GB/s peak data rate
- Two memory banks of up to 1 GB each
- Maximum capacity of 2GB
- Support for 128-Mb, 256-Mb, 512-Mb, and 1-Gb DDR devices, with CAS latencies of 2, 2.5, or 3
- Clock frequencies from 133MHz (266Mbps) to 166MHz (333Mbps) supported (Faster parts may be used, but must be clocked no faster than 166MHz)
- Page mode accesses (up to 16 open pages) with configurable paging policy
- Programmable address mapping and timing
- Software initiated self-refresh
- Power management (self-refresh, suspend, sleep)
- One or two chip selects

External Peripheral Bus Controller (EBC)

Features include:

- Up to six ROM, EPROM, SRAM, Flash memory, and slave peripheral I/O banks supported
- Up to 83MHz operation
- Burst and non-burst devices
- 32-bit byte-addressable data bus
- Data parity
- 30-bit address
- Peripheral Device pacing with external "Ready"
- Latch data on Ready, synchronous or asynchronous
- Programmable access timing per device
 - 256 Wait States for non-burst
 - 32 Burst Wait States for first access and up to 8 Wait States for subsequent accesses
 - Programmable CSon, CSoff relative to address
 - Programmable OEon, WEon, WEOff (1 to 4 clock cycles) relative to CS
- Programmable address mapping
- External DMA Slave Support

- External master interface
 - Write posting from external master
 - Read prefetching on PLB for external master reads
 - Bursting capable from external master
 - Allows external master access to all non-EBC PLB slaves
 - External master can control EBC slaves for access

Ethernet Controller

Ethernet support provided by the PPC440EPx interfaces to the physical layer but the PHY is not included on the chip:

- Two 10/100/1000 interfaces running in full- and half-duplex modes providing:
 - One Gigabit Media Independent Interface (GMII)
 - One Media Independent Interface (MII)
 - Two Reduced Gigabit MII (RGMII)
 - Two Serial MII (SMII) at 100/10Mbps.
 - Packet reject support
 - Jumbo frame support
 - DMA capability
 - Interrupt coalescence

DMA-to-PLB3 (64-bit) Controller

This DMA controller provides a DMA interface between OPB0 and PLB3.

Features include:

- Supports the following transfers:
 - Memory-to-memory transfers
 - Buffered peripheral to memory transfers
 - Buffered memory to peripheral transfers
- Four channels
- Scatter/Gather capability for programming multiple DMA operations
- 32-byte buffer
- 8-, 16-, 32-bit peripheral support (OPB and external)
- 32-bit addressing
- Address increment or decrement
- Supports internal and external peripherals
- Support for memory mapped peripherals
- Support for peripherals running on slower frequency buses

DMA-to-PLB4 (128-bit) Controller

This DMA controller provides a DMA interface between the OPB1 dedicated to the USB 2.0 device ports and PLB4.

Features include:

- Four independent channels supporting internal USB 2.0 Device endpoints 1 and 2
- Support for memory-to-memory, peripheral-to-memory, and memory-to-peripheral transfers
- Scatter/gather capability
- 128-byte buffer with programmable thresholds

Data Sheet

Serial Ports (UART)

Features include:

- Up to four ports in the following combinations:
 - One 8-pin (UART0)
 - Two 4-pin (UART0 and UART1)
 - One 4-pin (UART0) and two 2-pin (UART1 and UART2)
 - Four 2-pin (UART0, UART1, UART2, and UART3)
- Selectable internal or external serial clock to allow wide range of baud rates
- Register compatibility with NS16550 register set
- Complete status reporting capability
- Fully programmable serial-interface characteristics
- Supports DMA using internal DMA function on PLB3

IIC Bus Controller

Features include:

- Two IIC interfaces provided
- Support for Philips® Semiconductors I²C Specification, dated 1995
- Operation at 100kHz or 400kHz
- 8-bit data
- 10- or 7-bit address
- Slave transmitter and receiver
- Master transmitter and receiver
- Multiple bus masters
- Two independent 4 x 1 byte data buffers
- Twelve memory-mapped, fully programmable configuration registers
- One programmable interrupt request signal
- Provides full management of all IIC bus protocols
- Programmable error recovery
- Includes an integrated bootstrap controller (BSC) that is multiplexed with the IIC0 interface

Serial Peripheral Controller (SPI/SCP)

The Serial Peripheral Interface (also known as the Serial Communications Port) is a full-duplex, synchronous, character-oriented (byte) port that allows the exchange of data with other serial devices. The SCP is a master on the serial port supporting a 3-wire interface (receive, transmit, and clock), and is a slave on the OPB.

Features include:

- Three-wire serial port interface
- Full-duplex synchronous operation
- SCP bus master
- OPB bus slave
- Programmable clock rate divider
- Clock inversion
- Reverse data
- Local data loop back for test

Universal Serial Bus 2.0 (USB)

The USB 2.0 interface provides both device and host support. One interface provides host or device support and operates through an internal PHY. The other interface provides device support only through the UTMI interface with no internal PHY.

Features include:

- USB 2.0 Host with internal PHY
 - Fully compliant to the following specifications:
 - Universal Serial Bus Specification, Revision 2.0.
 - Enhanced Host Controller Interface (EHCI) Specification for USB, Revision 2.0.
 - Open Host Controller Interface (OHCI) Specification for USB, Revision 1.0a.
 - One USB port provided through a UTMI transceiver interface connected to the internal USB 2.0 Physical Layer (Single port USB 2.0 Physical Layer UTMI+ version 1.05).
 - One USB EHCI high speed (480Mbps) host controller with 1024-byte packet buffer.
 - One USB OHCI full/low speed (12Mbps/1.5Mbps) host controller.
 - Host controller does not support high-bandwidth isochronous transfers
 - Independent OPB master and slave ports which run asynchronously to the USB clocks.
 - USB OHCI/EHCI registers and data structures implemented in Big Endian format.
- USB 2.0 Device UTMI or USB 2.0 Device with internal PHY (excluding USB 2.0 Host function)
 - Device support provides six end points (3 IN, 3 OUT)
 - 8192-byte FIFO by endpoint (supports high-bandwidth isochronous transfers, double buffering of 1024-byte packets)
 - FIFOs are not shared between IN and OUT endpoints
 - Two USB 2.0 device end points have DMA dedicated channels (DMA-to-PLB4)

NAND Flash Controller

The NAND Flash controller provides a simple interface between the EBC and up to four separate external NAND Flash devices. It provides both direct command, address, and data access to the external device as well as a memory-mapped linear region that generates data accesses. NAND Flash data is transferred on the peripheral data bus.

Features include:

- One to four banks supported on EBC
- Direct interface to:
 - Discrete NAND Flash devices (up to four devices)
 - SmartMedia Card socket (22-pins)
- Device Sizes:
 - 4MB and larger supported for read/write access
 - 4MB to 256MB for boot-from-NAND flash (size supported depends on addressing mode)
- (512 + 16)-B or (2K + 64)-B page sizes supported
- Boot-from-NAND
 - Execute up to 4KB of boot code out of first block
 - Automatic page read accesses performed based on device configuration and addressing mode
- ECC provides single-bit error correction and double-bit error detection in each 256B of stored data

General Purpose Timers (GPT)

Provides a separate time base counter and additional system timers in addition to those defined in the processor.

Features include:

- 32-bit Time Base Counter driven by the OPB bus clock
- Seven 32-bit compare timers

Data Sheet

General Purpose IO (GPIO) Controller

- Controller functions and GPIO registers are programmed and accessed via memory-mapped OPB bus master accesses.
- 64 GPIOs are multiplexed with other functions. DCRs control whether a particular pin that has GPIO capabilities acts as a GPIO or is used for another purpose.
- Each GPIO output is separately programmable to emulate an open drain driver (that is, drives to zero, tri-stated if output bit is 1).

Universal Interrupt Controller (UIC)

Two Universal Interrupt Controllers (UIC) are employed. They provide control, status, and communications necessary between the external and internal sources of interrupts and the on-chip PowerPC processor.

Note: Processor specific interrupts (for example, page faults) do not use UIC resources.

Features include:

- 10 external interrupts
- Edge triggered or level-sensitive
- Positive or negative active
- Non-critical or critical interrupt to the on-chip processor
- Programmable interrupt priority ordering
- Programmable critical interrupt vector for faster vector processing

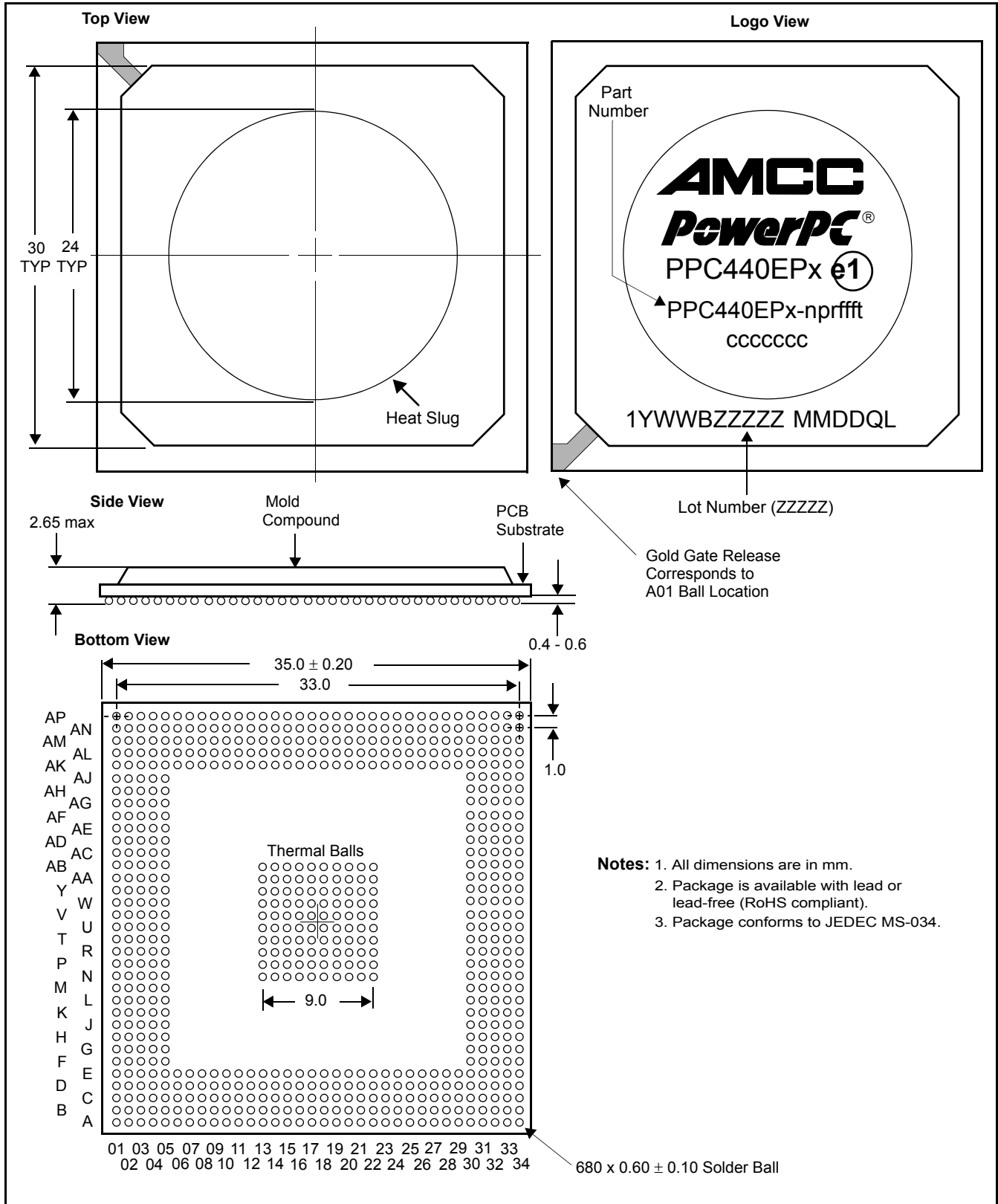
JTAG

Features include:

- IEEE 1149.1 Test Access Port
- JTAG Boundary Scan Description Language (BSDL)
- Refer to <http://www.apm.com/Embedded/Partners> for a list of AppliedMicro partners supplying probes for use with this port.

Package Diagram

Figure 3. 35mm, 680-Ball TE-EPBGA Package



Data Sheet**Assembly Recommendations***Table 3. Recommended Reflow Soldering Profile*

Profile Feature	Sn-Pb Eutectic Assembly	Pb Free Reflow Assembly
Average ramp-up rate	3°C/Second Max	3°C/Second Max
Preheat <ul style="list-style-type: none"> • Temperature Min • Temperature Max • Time (min to max) 	100°C 150°C 60-120 Seconds	150°C 180°C 60-120 Seconds
Time Maintained Above: <ul style="list-style-type: none"> • Temperature • Time 	183°C 60-150 Seconds	230°C 30-50 Seconds
Peak Temperature	225 +0/-5°C	260 +5/-0°C
Time within 5°C of Actual Peak Temperature	10-30 Seconds	10-20 Seconds
Ramp-down Rate	6°C/Second Max	6°C/Second Max
Time 25°C to Peak Temperature	6 Minutes Max	8 Minutes Max

Table 4. JEDEC Moisture Sensitivity Level and Ball Composition

	Sn-Pb Eutectic Assembly	Pb Free Reflow Assembly
MSL Level	3	3
Solder Ball Metallurgy	63Sn/37Pb	Sn/4Ag/05Cu

Signal Lists

The following table lists all the external signals in alphabetical order and shows the ball (pin) number on which the signal appears. Multiplexed signals are shown with the default signal (following reset) *not* in brackets and alternate signals in brackets. Multiplexed signals appear alphabetically multiple times in the list—once for each signal name on the ball. The page number listed gives the page in *Table 8* on page 57 where the signals in the indicated interface group begin. In cases where signals in the same interface group (for example, Ethernet) have different names to distinguish variations in the mode of operation, the names are separated by a comma with the primary mode name appearing first. In cases where the signals have the same function but are associated with different ports (for example, UART), the signals are separated by a slash (/). These signals are listed only once, and appear alphabetically by the primary mode or primary port name.

Alphabetical Signal List

Table 5. Signals Listed Alphabetically (Sheet 1 of 25)

Signal Name	Ball	Interface Group	Page
AGND	AP25	Power	65
AV _{DD}	AP24		
BA0	AJ03	DDR SDRAM	58
BA1	AK03		
BA2	AP08		
BankSel0	AH02	DDR SDRAM	58
BankSel1	AH01		
[BusReq][USB2TermSel]GPIO31	P04	External Master Peripheral	61
CAS	AH04	DDR SDRAM	58
ClkEn	AN09	DDR SDRAM	58
DM0	AL21	DDR SDRAM	58
DM1	AM18		
DM2	AP15		
DM3	AL14		
DM4	AE04		
DM5	AB03		
DM6	Y01		
DM7	U03		
DM8	AN10		
[DMAAck0][IRQ8]GPIO47	T34	External Slave Peripheral	60
[DMAAck1][IRQ4]GPIO44	V32		
[DMAAck2][PerAddr06]GPIO01	C25		
[DMAAck3][PerAddr03]GPIO04	D26		
[DMAReq0][IRQ7]GPIO46	U32	External Slave Peripheral	60
[DMAReq1]IRQ5[ModeCtrl]	W34		
[DMAReq2][PerAddr07]GPIO00	B25		
[DMAReq3][PerAddr04]GPIO03	A26		

Data Sheet

Table 5. Signals Listed Alphabetically (Sheet 2 of 25)

Signal Name	Ball	Interface Group	Page
DQS0	AM21	DDR SDRAM	58
DQS1	AM19		
DQS2	AL16		
DQS3	AM13		
DQS4	AE03		
DQS5	AB04		
DQS6	W04		
DQS7	U04		
DQS8	AP10		
[Drvrlnh1]USB2LS0	R02	System	64
[Drvrlnh2]Halt	E32		
EAGND	AP27	Power	65
EAV _{DD}	AP28		
ECC0	AM11	DDR SDRAM	58
ECC1	AL11		
ECC2	AM09		
ECC3	AL09		
ECC4	AP11		
ECC5	AN11		
ECC6	AM10		
ECC7	AP09		
[EOT0/TC0][IRQ9]GPIO48	T32	External Slave Peripheral	60
[EOT1/TC1][IRQ6]GPIO45	U33		
[EOT2/TC2][PerAddr05]GPIO02	D25		
[EOT3/TC3][PerAddr02]GPIO05	C26		
EOV _{DD}	AA22	Power	65
EOV _{DD}	AB21		
EOV _{DD}	AC33		
EOV _{DD}	AF30		
EOV _{DD}	AH30		
EOV _{DD}	AJ30		
EOV _{DD}	AK26		
EOV _{DD}	AK28		
EOV _{DD}	AK29		
EOV _{DD}	AK33		
EOV _{DD}	AN23		
EOV _{DD}	AN30		
[ExtAck][USB2XcvrSel]GPIO30	M03	External Master Peripheral	61

Table 5. Signals Listed Alphabetically (Sheet 3 of 25)

Signal Name	Ball	Interface Group	Page
[ExtReq][USB2RxErr]GPIO27	A04	External Master Peripheral	61
ExtReset	D06	External Master Peripheral	61
GMCCD, GMC1RxClk	AJ32	Ethernet	59
GMCCrS, GMC1TxClk	AK32		
GMCCTxClk, GMC0TxClk	AM27		
GMCMDClk	AL34		
GMCMDIO	AK34		
GMCRefClk, SMIIRefClk	AJ33		
GMCrxCik, GMC0RxCik, SMIIISync	AN28		
GMCrxD0, GMC0RxD0, SMII0RxD	AL28		
GMCrxD1, GMC0RxD1, SMII1RxD	AP29		
GMCrxD2, GMC0RxD2	AM28		
GMCrxD3, GMC0RxD3	AN29		
GMCrxD4, GMC1RxD0	AM29		
GMCrxD5, GMC1RxD1	AP30		
GMCrxD6, GMC1RxD2	AP31		
GMCrxD7, GMC1RxD3	AM30		
GMCrxDV, GMC0RxCtl	AJ31		
GMCrxEr, GMC1RxCtl	AL33		
GMCTxClk	AL27		
GMCTxD0, GMC0TxD0, SMII0TxD	AL24		
GMCTxD1, GMC0TxD1, SMII1TxD	AN25		
[GMCTxD2, GMC0TxD2] GPIO24	AM25		
[GMCTxD3, GMC0TxD3] GPIO25	AL25		
[GMCTxD4, GMC1TxD0] GPIO16	AP26		
[GMCTxD5, GMC1TxD1] GPIO17	AL26		
[GMCTxD6, GMC1TxD2] GPIO18	AN26		
[GMCTxD7, GMC1TxD3] GPIO19	AM26		
GMCTxEr, GMC1TxCtl	AM24		
GMCTxEn, GMC0TxCtl	AN24		

Data Sheet

Table 5. Signals Listed Alphabetically (Sheet 4 of 25)

Signal Name	Ball	Interface Group	Page
GND	A01	Power	65
GND	A02		
GND	A03		
GND	A28		
GND	A32		
GND	A33		
GND	A34		
GND	B01		
GND	B02		
GND	B03		
GND	B04		
GND	B08		
GND	B16		
GND	B19		
GND	B26		
GND	B27		
GND	B31		
GND	B32		
GND	B33		
GND	B34		
GND	C02		
GND	C03		
GND	C04		
GND	C31		
GND	C32		
GND	C33		
GND	C34		
GND	D03		
GND	D04		
GND	D05		
GND	D30		
GND	D31		
GND	D32		
GND	D33		
GND	E05		
GND	E08		
GND	E10		

Table 5. Signals Listed Alphabetically (Sheet 5 of 25)

Signal Name	Ball	Interface Group	Page
GND	E16	Power	65
GND	E18		
GND	E19		
GND	E25		
GND	E27		
GND	E30		
GND	E31		
GND	H01		
GND	H02		
GND	H05		
GND	H30		
GND	H33		
GND	K05		
GND	K30		
GND	N01		
GND	N04		
GND	N13		
GND	N15		
GND	N17		
GND	N18		
GND	N20		
GND	N22		
GND	P14		
GND	P15		
GND	P17		
GND	P18		
GND	P20		
GND	P21		
GND	R13		
GND	R14		
GND	R15		
GND	R16		
GND	R17		
GND	R18		
GND	R19		
GND	R20		
GND	R21		

Data Sheet

Table 5. Signals Listed Alphabetically (Sheet 6 of 25)

Signal Name	Ball	Interface Group	Page
GND	R22	Power	65
GND	T02		
GND	T05		
GND	T15		
GND	T16		
GND	T17		
GND	T18		
GND	T19		
GND	T20		
GND	T30		
GND	T33		
GND	U05		
GND	U13		
GND	U14		
GND	U15		
GND	U16		
GND	U17		
GND	U18		
GND	U19		
GND	U20		
GND	U21		
GND	U22		
GND	V13		
GND	V14		
GND	V15		
GND	V16		
GND	V17		
GND	V18		
GND	V19		
GND	V20		
GND	V21		
GND	V22		
GND	V30		
GND	W02		
GND	W05		
GND	W15		
GND	W16		

Table 5. Signals Listed Alphabetically (Sheet 7 of 25)

Signal Name	Ball	Interface Group	Page
GND	W17	Power	65
GND	W18		
GND	W19		
GND	W20		
GND	W30		
GND	W33		
GND	Y13		
GND	Y14		
GND	Y15		
GND	Y16		
GND	Y17		
GND	Y18		
GND	Y19		
GND	Y20		
GND	Y21		
GND	Y22		
GND	AA14		
GND	AA15		
GND	AA17		
GND	AA18		
GND	AA20		
GND	AA21		
GND	AB13		
GND	AB15		
GND	AB17		
GND	AB18		
GND	AB20		
GND	AB22		
GND	AD01		
GND	AE05		
GND	AE30		
GND	AG02		
GND	AG05		
GND	AG30		
GND	AG33		
GND	AJ01		
GND	AK04		

Data Sheet

Table 5. Signals Listed Alphabetically (Sheet 8 of 25)

Signal Name	Ball	Interface Group	Page
GND	AK05	Power	65
GND	AK08		
GND	AK10		
GND	AK16		
GND	AK17		
GND	AK19		
GND	AK25		
GND	AK27		
GND	AK30		
GND	AK31		
GND	AL03		
GND	AL04		
GND	AL05		
GND	AL06		
GND	AL29		
GND	AL30		
GND	AL31		
GND	AL32		
GND	AM01		
GND	AM02		
GND	AM03		
GND	AM04		
GND	AM31		
GND	AM32		
GND	AM33		
GND	AM34		
GND	AN01		
GND	AN02		
GND	AN03		
GND	AN04		
GND	AN08		
GND	AN16		
GND	AN19		
GND	AN27		
GND	AN31		
GND	AN32		
GND	AN33		

Table 5. Signals Listed Alphabetically (Sheet 9 of 25)

Signal Name	Ball	Interface Group	Page
GND	AN34	Power	65
GND	AP01		
GND	AP02		
GND	AP03		
GND	AP32		
GND	AP33		
GND	AP34		
GPIO00[PerAddr07][DMAReq2]	B25	System	64
GPIO01[PerAddr06][DMAAck2]	C25		
GPIO02[PerAddr05][EOT2/TC2]	D25		
GPIO03[PerAddr04][DMAReq3]	A26		
GPIO04[PerAddr03][DMAAck3]	D26		
GPIO05[PerAddr02][EOT3/TC3]	C26		
GPIO06[PerCS1][NFCE1]	B09		
GPIO07[PerCS2][NFCE2]	D09		
GPIO08[PerCS3][NFCE3]	D08		
GPIO09[PerCS4]	A09		
GPIO10[PerCS5]	A08		
GPIO11[PerErr]	C07		
GPIO12[NFREn]	D17		
GPIO13[NFWEEn]	A16		
GPIO14[NFCLE]	A18		
GPIO15[NFALE]	B17		
GPIO16[GMCTxD4, GMC1TxD0]	AP26		
GPIO17[GMCTxD5, GMC1TxD1]	AL26		
GPIO18[GMCTxD6, GMC1TxD2]	AN26		
GPIO19[GMCTxD7, GMC1TxD3]	AM26		
GPIO20[RejectPkt0]	AM23		
GPIO21[RejectPkt1]	AL23		
GPIO22[NFRdyBusy]	A17		
GPIO23[SCPDO]	AB31		
GPIO24[GMCTxD2, GMC0TxD2]	AM25		
GPIO25[GMCTxD3, GMC0TxD3]	AL25		
[GPIO26]IIC0SData	AB33		
GPIO27[USB2RxErr][ExtReq]	A04		
GPIO28[USB2TxVal]	C06		
GPIO29[USB2Susp][HoldAck]	C05		
GPIO30[USB2XcvrSel][ExtAck]	M03		
GPIO31[USB2TermSel][BusReq]	P04		

Data Sheet

Table 5. Signals Listed Alphabetically (Sheet 10 of 25)

Signal Name	Ball	Interface Group	Page
GPIO32[USB2OM0][PerDataPar2]	R03	System	64
GPIO33[USB2OM1][PerDataPar3]	R04		
GPIO34[UART0_DCD/UART1_CTS/UART2_Tx]	C28		
GPIO35[UART0_DSR/UART1_RTS/UART2_Rx]	C29		
GPIO36[UART0_CTS/UART3_Rx][PerDataPar0]	A29		
GPIO37[UART0_RTS/UART3_Tx][PerDataPar1]	B29		
GPIO38[UART0_DTR/UART1_Tx]	D28		
GPIO39[UART0_RI/UART1_Rx]	B28		
GPIO40[IRQ0]	AD33		
GPIO41[IRQ1]	AC31		
GPIO42[IRQ2]	AD34		
GPIO43[IRQ3]	U34		
GPIO44[IRQ4][DMAAck1]	V32		
GPIO45[IRQ6][EOT1/TC1]	U33		
GPIO46[IRQ7][DMAReq0]	U32		
GPIO47[IRQ8][DMAAck0]	T34		
GPIO48[IRQ9][EOT0/TC0]	T32		
GPIO49[TrcBS0]	AE34		
GPIO50[TrcBS1]	AE32		
GPIO51[TrcBS2]	AE33		
GPIO52[TrcES0]	AE31		
GPIO53[TrcES1]	AF34		
GPIO54[TrcES2]	AF33		
GPIO55[TrcES3]	AF32		
GPIO56[TrcES4]	AF31		
GPIO57[TrcTS0]	AG34		
GPIO58[TrcTS1]	AG31		
GPIO59[TrcTS2]	AH33		
GPIO60[TrcTS3]	AH34		
GPIO61[TrcTS4]	AH32		
GPIO62[TrcTS5]	AJ34		
GPIO63[TrcTS6]	AH31		
Halt[DrvrInh2]	E32	System	64
[HoldAck][USB2Susp]GPIO29	C05	External Master Peripheral	61
[HoldPri]USB2LS1[LeakTest]	P01		
[HoldReq]USB2RxAct[RcvrInh]	D07		
IIC0SCIk	AB32	IIC0 Peripheral	61
IIC0SData[GPIO26]	AB33		

Table 5. Signals Listed Alphabetically (Sheet 11 of 25)

Signal Name	Ball	Interface Group	Page
[IIC1SClk]SCPClkOut	AC34	IIC1 Peripheral	61
[IIC1SDData]SCPDI	AC32		
[IRQ0]GPIO40	AD33	Interrupts	63
[IRQ1]GPIO41	AC31		
[IRQ2]GPIO42	AD34		
[IRQ3]GPIO43	U34		
[IRQ4]GPIO44[DMAAck1]	V32		
IRQ5[ModeCtrl][DMAReq1]	W34		
[IRQ6]GPIO45[EOT1/TC1]	U33		
[IRQ7]GPIO46[DMAReq0]	U32		
[IRQ8]GPIO47[DMAAck0]	T34		
[IRQ9]GPIO48[EOT0/TC0]	T32		
[LeakTest]USB2LS1[HoldPri]	P01		
[LeakTest2]USB2RxDV	C08		
MemAddr00	AM05	DDR SDRAM	58
MemAddr01	AP04		
MemAddr02	AP05		
MemAddr03	AM06		
MemAddr04	AP06		
MemAddr05	AN06		
MemAddr06	AL07		
MemAddr07	AN07		
MemAddr08	AM07		
MemAddr09	AP07		
MemAddr10	AL02		
MemAddr11	AL08		
MemAddr12	AM08		
MemAddr13	AG04		
MemClkOut	AL01	DDR SDRAM	58
MemClkOut	AK01		

Data Sheet

Table 5. Signals Listed Alphabetically (Sheet 12 of 25)

Signal Name	Ball	Interface Group	Page
MemData00	AN22	DDR SDRAM	58
MemData01	AP22		
MemData02	AM20		
MemData03	AL20		
MemData04	AL22		
MemData05	AM22		
MemData06	AN21		
MemData07	AP21		
MemData08	AP20		
MemData09	AL18		
MemData10	AN17		
MemData11	AP17		
MemData12	AN20		
MemData13	AP19		
MemData14	AN18		
MemData15	AP18		
MemData16	AM16		
MemData17	AP16		
MemData18	AL15		
MemData19	AP14		
MemData20	AL17		
MemData21	AM17		
MemData22	AN15		
MemData23	AM15		
MemData24	AP13		
MemData25	AN13		
MemData26	AP12		
MemData27	AL12		
MemData28	AM14		
MemData29	AN14		
MemData30	AL13		
MemData31	AM12		

Table 5. Signals Listed Alphabetically (Sheet 13 of 25)

Signal Name	Ball	Interface Group	Page
MemData32	AF03	DDR SDRAM	58
MemData33	AF01		
MemData34	AD04		
MemData35	AD03		
MemData36	AG03		
MemData37	AF02		
MemData38	AE02		
MemData39	AE01		
MemData40	AC03		
MemData41	AC01		
MemData42	AA04		
MemData43	AA03		
MemData44	AD02		
MemData45	AC04		
MemData46	AB01		
MemData47	AB02		
MemData48	Y03		
MemData49	Y02		
MemData50	V04		
MemData51	V03		
MemData52	AA02		
MemData53	AA01		
MemData54	W03		
MemData55	W01		
MemData56	U01		
MemData57	U02		
MemData58	T04		
MemData59	R01		
MemData60	V02		
MemData61	V01		
MemData62	T01		
MemData63	T03		
MemODT0	AH03	DDR SDRAM	58
MemODT1	AG01		
[ModeCtrl]IRQ5[DMAReq1]	W34	System	64

Data Sheet

Table 5. Signals Listed Alphabetically (Sheet 14 of 25)

Signal Name	Ball	Interface Group	Page
[NFALE]GPIO15	B17	NAND Flash	62
[NFCE0]PerCS0	D10		
[NFCE1][PerCS1]GPIO06	B09		
[NFCE2][PerCS2]GPIO07	D09		
[NFCE3][PerCS3]GPIO08	D08		
[NFCLE]GPIO14	A18		
[NFRdyBusy]GPIO22	A17		
[NFRen]GPIO12	D17		
[NFWEn]GPIO13	A16		
No ball	F06–F29	A physical ball does not exist at these ball coordinates.	NA
No ball	G06–G29		
No ball	H06–H29		
No ball	J06–J29		
No ball	K06–K29		
No ball	L06–L29		
No ball	M06–M29		
No ball	N06–N12		
No ball	N23–N29		
No ball	P06–P12		
No ball	P23–P29		
No ball	R06–R12		
No ball	R23–R29		
No ball	T06–T12		
No ball	T23–T29		
No ball	U06–U12		
No ball	U23–U29		
No ball	V06–V12		
No ball	V23–V29		
No ball	W06–W12		
No ball	W23–W29		
No ball	Y06–Y12		
No ball	Y23–Y29		
No ball	AA06–AA12		
No ball	AA23–AA29		
No ball	AB06–AB12		
No ball	AB23–AB29		

Table 5. Signals Listed Alphabetically (Sheet 15 of 25)

Signal Name	Ball	Interface Group	Page
No ball	AC06–AC29	A physical ball does not exist at these ball coordinates.	NA
No ball	AD06–AD29		
No ball	AE06–AE29		
No ball	AF06–AF29		
No ball	AG06–AG29		
No ball	AH06–AH29		
No ball	AJ06–AJ29		
OV _{DD}	B05	Power	65
OV _{DD}	B12		
OV _{DD}	B23		
OV _{DD}	B30		
OV _{DD}	E02		
OV _{DD}	E06		
OV _{DD}	E07		
OV _{DD}	E09		
OV _{DD}	E17		
OV _{DD}	E26		
OV _{DD}	E28		
OV _{DD}	E29		
OV _{DD}	E33		
OV _{DD}	F05		
OV _{DD}	F30		
OV _{DD}	G05		
OV _{DD}	G30		
OV _{DD}	J05		
OV _{DD}	J30		
OV _{DD}	M02		
OV _{DD}	M33		
OV _{DD}	N14		
OV _{DD}	N21		
OV _{DD}	P13		
OV _{DD}	P22		
OV _{DD}	U30		

Data Sheet

Table 5. Signals Listed Alphabetically (Sheet 16 of 25)

Signal Name	Ball	Interface Group	Page
PCIAD00	D29	PCI	57
PCIAD01	A30		
PCIAD02	C30		
PCIAD03	A31		
PCIAD04	D34		
PCIAD05	F31		
PCIAD06	E34		
PCIAD07	F32		
PCIAD08	F33		
PCIAD09	F34		
PCIAD10	G31		
PCIAD11	G33		
PCIAD12	G34		
PCIAD13	H31		
PCIAD14	H32		
PCIAD15	H34		
PCIAD16	L31		
PCIAD17	L33		
PCIAD18	M32		
PCIAD19	M31		
PCIAD20	M34		
PCIAD21	N31		
PCIAD22	N33		
PCIAD23	N32		
PCIAD24	P31		
PCIAD25	P33		
PCIAD26	P32		
PCIAD27	P34		
PCIAD28	R31		
PCIAD29	R32		
PCIAD30	R33		
PCIAD31	R34		
PCIC0/BE0	G32	PCI	57
PCIC1/BE1	J31		
PCIC2/BE2	L34		
PCIC3/BE3	N34		
PCIClk	AA32	PCI	57
PCIDevSel	K32	PCI	57
PCIFrame	L32	PCI	57

Table 5. Signals Listed Alphabetically (Sheet 17 of 25)

Signal Name	Ball	Interface Group	Page
$\overline{\text{PCIGnt0/Req}}$	Y34	PCI	57
$\overline{\text{PCIGnt1}}$	Y33		
$\overline{\text{PCIGnt2}}$	Y32		
$\overline{\text{PCIGnt3}}$	Y31		
$\overline{\text{PCIGnt4}}$	AA33		
$\overline{\text{PCIGnt5}}$	AA34		
$\overline{\text{PCIIDSel}}$	T31	PCI	57
$\overline{\text{PCIINT}}$	AB34	PCI	57
$\overline{\text{PCIIRDY}}$	K33	PCI	57
$\overline{\text{PCIPar}}$	J32	PCI	57
$\overline{\text{PCIPerr}}$	J33	PCI	57
$\overline{\text{PCIREq0/Gnt}}$	V34	PCI	57
$\overline{\text{PCIREq1}}$	U31		
$\overline{\text{PCIREq2}}$	V33		
$\overline{\text{PCIREq3}}$	V31		
$\overline{\text{PCIREq4}}$	W32		
$\overline{\text{PCIREq5}}$	W31		
$\overline{\text{PCIReset}}$	AA31	PCI	57
$\overline{\text{PCISerr}}$	J34	PCI	57
$\overline{\text{PCIStop}}$	K31	PCI	57
$\overline{\text{PCITRDY}}$	K34	PCI	57

Data Sheet

Table 5. Signals Listed Alphabetically (Sheet 18 of 25)

Signal Name	Ball	Interface Group	Page
[PerAddr02]GPIO05[EOT3/TC3]	C26	External Slave Peripheral	60
[PerAddr03]GPIO04[DMAAck3]	D26		
[PerAddr04]GPIO03[DMAReq3]	A26		
[PerAddr05]GPIO02[EOT2/TC2]	D25		
[PerAddr06]GPIO01[DMAAck2]	C25		
[PerAddr07]GPIO00[DMAReq2]	B25		
PerAddr08	A25		
PerAddr09	C24		
PerAddr10	D24		
PerAddr11	B24		
PerAddr12	D23		
PerAddr13	A24		
PerAddr14	C23		
PerAddr15	A23		
PerAddr16	D22		
PerAddr17	C22		
PerAddr18	A22		
PerAddr19	D21		
PerAddr20	C21		
PerAddr21	B21		
PerAddr22	A21		
PerAddr23	D20		
PerAddr24	C20		
PerAddr25	B20		
PerAddr26	D19		
PerAddr27	C19		
PerAddr28	A19		
PerAddr29	D18		
PerAddr30	C18		
PerAddr31	B18		
PerBLast	B07		
PerClk	A07	External Master Peripheral	61
PerCS0[NFCE0]	D10	External Slave Peripheral	60
[PerCS1][NFCE1]GPIO06	B09		
[PerCS2][NFCE2]GPIO07	D09		
[PerCS3][NFCE3]GPIO08	D08		
[PerCS4]GPIO09	A09		
[PerCS5]GPIO10	A08		

Table 5. Signals Listed Alphabetically (Sheet 19 of 25)

Signal Name	Ball	Interface Group	Page
PerData00	C14	External Slave Peripheral	60
PerData01	D14		
PerData02	A13		
PerData03	B13		
PerData04	C13		
PerData05	D13		
PerData06	A12		
PerData07	C12		
PerData08	A11		
PerData09	D12		
PerData10	B11		
PerData11	C11		
PerData12	D11		
PerData13	A10		
PerData14	B10		
PerData15	C10		
PerData16[USB2DO0]	E03		
PerData17[USB2DO1]	C01		
PerData18[USB2DO2]	D02		
PerData19[USB2DO3]	E04		
PerData20[USB2DO4]	D01		
PerData21[USB2DO5]	E01		
PerData22[USB2DO6]	F04		
PerData23[USB2DO7]	F03		
PerData24[USB2DI0]	F02		
PerData25[USB2DI1]	F01		
PerData26[USB2DI2]	G03		
PerData27[USB2DI3]	G04		
PerData28[USB2DI4]	G02		
PerData29[USB2DI5]	G01		
PerData30[USB2DI6]	H04		
PerData31[USB2DI7]	H03		
[PerDataPar0]GPIO36[UART0_CTS/UART3_Rx]	A29		
[PerDataPar1]GPIO37[UART0_RTS//UART3_Tx]	B29		
[PerDataPar2]GPIO32[USB2OM0]	R03		
[PerDataPar3]GPIO33[USB2OM1]	R04		
[PerErr]GPIO11	C07	External Master Peripheral	60
PerOE	B14	External Slave Peripheral	60
PerReady	C17	External Slave Peripheral	60

Data Sheet

Table 5. Signals Listed Alphabetically (Sheet 20 of 25)

Signal Name	Ball	Interface Group	Page
PerR/W	A14	External Slave Peripheral	60
PerWBE0	A15	External Slave Peripheral	60
PerWBE1	B15		
PerWBE2	C15		
PerWBE3	D15		
PSROOut	A20	System	64
RAS	AJ04	DDR SDRAM	58
[RcvrInh]USB2RxAct[HoldReq]	D07	System	64
[RefEn]USB2TxRdy	B06	System	64
[RejectPkt0]GPIO20	AM23	Ethernet	59
[RejectPkt1]GPIO21	AL23		
SCPClkOut[IIC1SClk]	AC34	Serial Peripheral (SPI)	63
SCPDII[IIC1SData]	AC32		
[SCPDO]GPIO23	AB31		
SOV _{DD}	V05	Power	65
SOV _{DD}	AA13		
SOV _{DD}	AB14		
SOV _{DD}	AC02		
SOV _{DD}	AF05		
SOV _{DD}	AH05		
SOV _{DD}	AJ05		
SOV _{DD}	AK02		
SOV _{DD}	AK06		
SOV _{DD}	AK07		
SOV _{DD}	AK09		
SOV _{DD}	AK18		
SOV _{DD}	AN05		
SOV _{DD}	AN12		
SV _{REF1A}	Y04	DDR SDRAM	58
SV _{REF1B}	AL10		
SV _{REF2A}	AF04		
SV _{REF2B}	AL19		
SysClk	AP23	System	64
SysErr	AD32	System	64
SysReset	AD31	System	64
TCK	P02	JTAG	63
TDI	K03	JTAG	63

Table 5. Signals Listed Alphabetically (Sheet 21 of 25)

Signal Name	Ball	Interface Group	Page
TDO	B22	JTAG	63
TestEn	C09	System	64
TherMonA	C16	System	64
TherMonB	D16		
TmrClk	P03	System	64
TMS	K02	JTAG	63
[TrcBS0]GPIO49	AE34	Trace	65
[TrcBS1]GPIO50	AE32		
[TrcBS2]GPIO51	AE33		
TrcClk	AG32	Trace	65
[TrcES0]GPIO52	AE31	Trace	65
[TrcES1]GPIO53	AF34		
[TrcES2]GPIO54	AF33		
[TrcES3]GPIO55	AF32		
[TrcES4]GPIO56	AF31		
[TrcTS0]GPIO57	AG34	Trace	65
[TrcTS1]GPIO58	AG31		
[TrcTS2]GPIO59	AH33		
[TrcTS3]GPIO60	AH34		
[TrcTS4]GPIO61	AH32		
[TrcTS5]GPIO62	AJ34		
[TrcTS6]GPIO63	AH31		
$\overline{\text{TRST}}$	A06	JTAG	63
$\overline{\text{[UART0_CTS/UART3_Rx]GPIO36[PerDataPar0]}}$	A29	UART Peripheral	61
$\overline{\text{[UART0_DCD/UART1_CTS/UART2_Tx]GPIO34}}$	C28		
$\overline{\text{[UART0_DSR/UART1_RTS/UART2_Rx]GPIO35}}$	C29		
$\overline{\text{[UART0_DTR/UART1_Tx]GPIO38}}$	D28		
$\overline{\text{[UART0_RI/UART1_Rx]GPIO39}}$	B28		
$\overline{\text{[UART0_RTS/UART3_Tx]GPIO37[PerDataPar1]}}$	B29		
UART0_Rx	C27		
UARTSerClk	A27		
UART0_Tx	D27		

Data Sheet

Table 5. Signals Listed Alphabetically (Sheet 22 of 25)

Signal Name	Ball	Interface Group	Page
U1AV _{DD}	L01	Power	65
U1AV _{DD}	L02		
U2AV _{DD}	J04		
U2AV _{DD}	L04		
U1AGND	M01		
U1AGND	M04		
U2AGND	J03		
U2AGND	K04		
UA2GND	K01		
USB2Ck	A05	Universal Serial Bus	62
[USB2DI0]PerData24	F02	Universal Serial Bus	62
[USB2DI1]PerData25	F01		
[USB2DI2]PerData26	G03		
[USB2DI3]PerData27	G04		
[USB2DI4]PerData28	G02		
[USB2DI5]PerData29	G01		
[USB2DI6]PerData30	H04		
[USB2DI7]PerData31	H03	Universal Serial Bus	62
[USB2DO0]PerData16	E03		
[USB2DO1]PerData17	C01		
[USB2DO2]PerData18	D02		
[USB2DO3]PerData19	E04		
[USB2DO4]PerData20	D01		
[USB2DO5]PerData21	E01		
[USB2DO6]PerData22	F04	Universal Serial Bus	62
[USB2DO7]PerData23	F03		
USB2LS0[DrvrInh1]	R02	Universal Serial Bus	62
USB2LS1[LeakTest][HoldPri]	P01		
[USB2OM0]GPIO32[PerDataPar2]	R03	Universal Serial Bus	62
[USB2OM1]GPIO33[PerDataPar3]	R04		
USB2RExt	L03	Universal Serial Bus	62
USB2RxAct[HoldReq][RcvrInh]	D07	Universal Serial Bus	62
USB2RxDV[LeakTest2]	C08	Universal Serial Bus	62
[USB2RxErr]GPIO27[ExtReq]	A04	Universal Serial Bus	62
[USB2Susp]GPIO29[HoldAck]	C05	Universal Serial Bus	62
[USB2TermSel]GPIO31[BusReq]	P04	Universal Serial Bus	62
USB2TxRdy[RefEn]	B06	Universal Serial Bus	62
[USB2TxVal]GPIO28	C06	Universal Serial Bus	62

Table 5. Signals Listed Alphabetically (Sheet 23 of 25)

Signal Name	Ball	Interface Group	Page
[USB2XcvrSel]GPIO30[ExtAck]	M03	Universal Serial Bus	62
USB2Xcvr	J02	Universal Serial Bus	62
USB2Xcvr	J01		
USB2XtalIn	N02	Universal Serial Bus	62
USB2XtalOut	N03		

Data Sheet

Table 5. Signals Listed Alphabetically (Sheet 24 of 25)

Signal Name	Ball	Interface Group	Page
V _{DD}	E11	Power	65
V _{DD}	E12		
V _{DD}	E13		
V _{DD}	E14		
V _{DD}	E15		
V _{DD}	E20		
V _{DD}	E21		
V _{DD}	E22		
V _{DD}	E23		
V _{DD}	E24		
V _{DD}	L05		
V _{DD}	L30		
V _{DD}	M05		
V _{DD}	M30		
V _{DD}	N05		
V _{DD}	N16		
V _{DD}	N19		
V _{DD}	N30		
V _{DD}	P05		
V _{DD}	P16		
V _{DD}	P19		
V _{DD}	P30		
V _{DD}	R05		
V _{DD}	R30		
V _{DD}	T13		
V _{DD}	T14		
V _{DD}	T21		
V _{DD}	T22		
V _{DD}	W13		
V _{DD}	W14		
V _{DD}	W21		
V _{DD}	W22		
V _{DD}	Y05		
V _{DD}	Y30		

Table 5. Signals Listed Alphabetically (Sheet 25 of 25)

Signal Name	Ball	Interface Group	Page
V _{DD}	AA05	Power	65
V _{DD}	AA16		
V _{DD}	AA19		
V _{DD}	AA30		
V _{DD}	AB05		
V _{DD}	AB16		
V _{DD}	AB19		
V _{DD}	AB30		
V _{DD}	AC05		
V _{DD}	AC30		
V _{DD}	AD05		
V _{DD}	AD30		
V _{DD}	AK11		
V _{DD}	AK12		
V _{DD}	AK13		
V _{DD}	AK14		
V _{DD}	AK15		
V _{DD}	AK20		
V _{DD}	AK21		
V _{DD}	AK22		
V _{DD}	AK23		
V _{DD}	AK24		
$\overline{\text{WE}}$	AJ02	DDR SDRAM	58

Signals in Ball Assignment Order

In the following table, only the primary (default) signal name is shown for each ball. Multiplexed or multifunction signals are marked with an asterisk (*). To determine what other signals or functions are on those balls, look up the primary signal name in *Table 5* on page 20.

Table 6. Signals Listed by Ball Assignment (Sheet 1 of 9)

Ball	Signal Name	Ball	Signal Name	Ball	Signal Name	Ball	Signal Name
A01	GND	B01	GND	C01	PerData17*	D01	PerData20*
A02	GND	B02	GND	C02	GND	D02	PerData18*
A03	GND	B03	GND	C03	GND	D03	GND
A04	GPIO27*	B04	GND	C04	GND	D04	GND
A05	USB2Cik	B05	OV _{DD}	C05	GPIO29*	D05	GND
A06	$\overline{\text{TRST}}$	B06	USB2TxRdy*	C06	GPIO28*	D06	$\overline{\text{ExtReset}}$
A07	PerClk	B07	$\overline{\text{PerBLast}}$	C07	GPIO11*	D07	USB2RxAct*
A08	GPIO10*	B08	GND	C08	USB2RxDV*	D08	GPIO08*
A09	GPIO09*	B09	GPIO06*	C09	TestEn	D09	GPIO07*
A10	PerData13	B10	PerData14	C10	PerData15	D10	$\overline{\text{PerCS0}}$ *
A11	PerData08	B11	PerData10	C11	PerData11	D11	PerData12
A12	PerData06	B12	OV _{DD}	C12	PerData07	D12	PerData09
A13	PerData02	B13	PerData03	C13	PerData04	D13	PerData05
A14	$\overline{\text{PerRW}}$	B14	$\overline{\text{PerOE}}$	C14	PerData00	D14	PerData01
A15	$\overline{\text{PerWBE0}}$	B15	$\overline{\text{PerWBE1}}$	C15	$\overline{\text{PerWBE2}}$	D15	$\overline{\text{PerWBE3}}$
A16	GPIO13*	B16	GND	C16	TherMonA	D16	TherMonB
A17	GPIO22*	B17	GPIO15*	C17	PerReady	D17	GPIO12*
A18	GPIO14*	B18	PerAddr31	C18	PerAddr30	D18	PerAddr29
A19	PerAddr28	B19	GND	C19	PerAddr27	D19	PerAddr26
A20	PSROOut	B20	PerAddr25	C20	PerAddr24	D20	PerAddr23
A21	PerAddr22	B21	PerAddr21	C21	PerAddr20	D21	PerAddr19
A22	PerAddr18	B22	TDO	C22	PerAddr17	D22	PerAddr16
A23	PerAddr15	B23	OV _{DD}	C23	PerAddr14	D23	PerAddr12
A24	PerAddr13	B24	PerAddr11	C24	PerAddr09	D24	PerAddr10
A25	PerAddr08	B25	GPIO00*	C25	GPIO01*	D25	GPIO02*
A26	GPIO03*	B26	GND	C26	GPIO05*	D26	GPIO04*
A27	UARTSerCik	B27	GND	C27	UART0_Rx	D27	UART0_Tx
A28	GND	B28	GPIO39*	C28	GPIO34*	D28	GPIO38*
A29	GPIO36*	B29	GPIO37*	C29	GPIO35*	D29	PCIAD00
A30	PCIAD01	B30	OV _{DD}	C30	PCIAD02	D30	GND
A31	PCIAD03	B31	GND	C31	GND	D31	GND
A32	GND	B32	GND	C32	GND	D32	GND
A33	GND	B33	GND	C33	GND	D33	GND
A34	GND	B34	GND	C34	GND	D34	PCIAD04

Data Sheet

Table 6. Signals Listed by Ball Assignment (Sheet 2 of 9)

Ball	Signal Name	Ball	Signal Name	Ball	Signal Name	Ball	Signal Name
E01	PerData21*	F01	PerData25*	G01	PerData29*	H01	GND
E02	OV _{DD}	F02	PerData24*	G02	PerData28*	H02	GND
E03	PerData16*	F03	PerData23*	G03	PerData26*	H03	PerData31*
E04	PerData19*	F04	PerData22*	G04	PerData27*	H04	PerData30*
E05	GND	F05	OV _{DD}	G05	OV _{DD}	H05	GND
E06	OV _{DD}	F06	No Ball	G06	No Ball	H06	No Ball
E07	OV _{DD}	F07	No Ball	G07	No Ball	H07	No Ball
E08	GND	F08	No Ball	G08	No Ball	H08	No Ball
E09	OV _{DD}	F09	No Ball	G09	No Ball	H09	No Ball
E10	GND	F10	No Ball	G10	No Ball	H10	No Ball
E11	V _{DD}	F11	No Ball	G11	No Ball	H11	No Ball
E12	V _{DD}	F12	No Ball	G12	No Ball	H12	No Ball
E13	V _{DD}	F13	No Ball	G13	No Ball	H13	No Ball
E14	V _{DD}	F14	No Ball	G14	No Ball	H14	No Ball
E15	V _{DD}	F15	No Ball	G15	No Ball	H15	No Ball
E16	GND	F16	No Ball	G16	No Ball	H16	No Ball
E17	OV _{DD}	F17	No Ball	G17	No Ball	H17	No Ball
E18	GND	F18	No Ball	G18	No Ball	H18	No Ball
E19	GND	F19	No Ball	G19	No Ball	H19	No Ball
E20	V _{DD}	F20	No Ball	G20	No Ball	H20	No Ball
E21	V _{DD}	F21	No Ball	G21	No Ball	H21	No Ball
E22	V _{DD}	F22	No Ball	G22	No Ball	H22	No Ball
E23	V _{DD}	F23	No Ball	G23	No Ball	H23	No Ball
E24	V _{DD}	F24	No Ball	G24	No Ball	H24	No Ball
E25	GND	F25	No Ball	G25	No Ball	H25	No Ball
E26	OV _{DD}	F26	No Ball	G26	No Ball	H26	No Ball
E27	GND	F27	No Ball	G27	No Ball	H27	No Ball
E28	OV _{DD}	F28	No Ball	G28	No Ball	H28	No Ball
E29	OV _{DD}	F29	No Ball	G29	No Ball	H29	No Ball
E30	GND	F30	OV _{DD}	G30	OV _{DD}	H30	GND
E31	GND	F31	PCIAD05	G31	PCIAD10	H31	PCIAD13
E32	Halt*	F32	PCIAD07	G32	PCIC0/BE0	H32	PCIAD14
E33	OV _{DD}	F33	PCIAD08	G33	PCIAD11	H33	GND
E34	PCIAD06	F34	PCIAD09	G34	PCIAD12	H34	PCIAD15

Table 6. Signals Listed by Ball Assignment (Sheet 3 of 9)

Ball	Signal Name	Ball	Signal Name	Ball	Signal Name	Ball	Signal Name
J01	$\overline{\text{USB2Xcvr}}$	K01	U2AGND	L01	U1AV _{DD}	M01	U1AGND
J02	USB2Xcvr	K02	TMS	L02	U1AV _{DD}	M02	OV _{DD}
J03	U2AGND	K03	TDI	L03	USB2RExt	M03	GPIO30*
J04	U2AV _{DD}	K04	U2AGND	L04	U2AV _{DD}	M04	U1AGND
J05	OV _{DD}	K05	GND	L05	V _{DD}	M05	V _{DD}
J06	No Ball	K06	No Ball	L06	No Ball	M06	No Ball
J07	No Ball	K07	No Ball	L07	No Ball	M07	No Ball
J08	No Ball	K08	No Ball	L08	No Ball	M08	No Ball
J09	No Ball	K09	No Ball	L09	No Ball	M09	No Ball
J10	No Ball	K10	No Ball	L10	No Ball	M10	No Ball
J11	No Ball	K11	No Ball	L11	No Ball	M11	No Ball
J12	No Ball	K12	No Ball	L12	No Ball	M12	No Ball
J13	No Ball	K13	No Ball	L13	No Ball	M13	No Ball
J14	No Ball	K14	No Ball	L14	No Ball	M14	No Ball
J15	No Ball	K15	No Ball	L15	No Ball	M15	No Ball
J16	No Ball	K16	No Ball	L16	No Ball	M16	No Ball
J17	No Ball	K17	No Ball	L17	No Ball	M17	No Ball
J18	No Ball	K18	No Ball	L18	No Ball	M18	No Ball
J19	No Ball	K19	No Ball	L19	No Ball	M19	No Ball
J20	No Ball	K20	No Ball	L20	No Ball	M20	No Ball
J21	No Ball	K21	No Ball	L21	No Ball	M21	No Ball
J22	No Ball	K22	No Ball	L22	No Ball	M22	No Ball
J23	No Ball	K23	No Ball	L23	No Ball	M23	No Ball
J24	No Ball	K24	No Ball	L24	No Ball	M24	No Ball
J25	No Ball	K25	No Ball	L25	No Ball	M25	No Ball
J26	No Ball	K26	No Ball	L26	No Ball	M26	No Ball
J27	No Ball	K27	No Ball	L27	No Ball	M27	No Ball
J28	No Ball	K28	No Ball	L28	No Ball	M28	No Ball
J29	No Ball	K29	No Ball	L29	No Ball	M29	No Ball
J30	OV _{DD}	K30	GND	L30	V _{DD}	M30	V _{DD}
J31	PCIC1/BE1	K31	$\overline{\text{PCIS}t\text{op}}$	L31	PCIAD16	M31	PCIAD19
J32	PCIPar	K32	$\overline{\text{PCIDevSel}}$	L32	$\overline{\text{PCIFrame}}$	M32	PCIAD18
J33	$\overline{\text{PCIPErr}}$	K33	$\overline{\text{PCIIRDY}}$	L33	PCIAD17	M33	OV _{DD}
J34	$\overline{\text{PCISErr}}$	K34	$\overline{\text{PCITRDY}}$	L34	PCIC2/BE2	M34	PCIAD20

Data Sheet

Table 6. Signals Listed by Ball Assignment (Sheet 4 of 9)

Ball	Signal Name	Ball	Signal Name	Ball	Signal Name	Ball	Signal Name
N01	GND	P01	USB2LS1*	R01	MemData59	T01	MemData62
N02	USB2XtalIn	P02	TCK	R02	USB2LS0*	T02	GND
N03	USB2XtalOut	P03	TmrClk	R03	GPIO32*	T03	MemData63
N04	GND	P04	GPIO31*	R04	GPIO33*	T04	MemData58
N05	V _{DD}	P05	V _{DD}	R05	V _{DD}	T05	GND
N06	No Ball	P06	No Ball	R06	No Ball	T06	No Ball
N07	No Ball	P07	No Ball	R07	No Ball	T07	No Ball
N08	No Ball	P08	No Ball	R08	No Ball	T08	No Ball
N09	No Ball	P09	No Ball	R09	No Ball	T09	No Ball
N10	No Ball	P10	No Ball	R10	No Ball	T10	No Ball
N11	No Ball	P11	No Ball	R11	No Ball	T11	No Ball
N12	No Ball	P12	No Ball	R12	No Ball	T12	No Ball
N13	GND	P13	OV _{DD}	R13	GND	T13	V _{DD}
N14	OV _{DD}	P14	GND	R14	GND	T14	V _{DD}
N15	GND	P15	GND	R15	GND	T15	GND
N16	V _{DD}	P16	V _{DD}	R16	GND	T16	GND
N17	GND	P17	GND	R17	GND	T17	GND
N18	GND	P18	GND	R18	GND	T18	GND
N19	V _{DD}	P19	V _{DD}	R19	GND	T19	GND
N20	GND	P20	GND	R20	GND	T20	GND
N21	OV _{DD}	P21	GND	R21	GND	T21	V _{DD}
N22	GND	P22	OV _{DD}	R22	GND	T22	V _{DD}
N23	No Ball	P23	No Ball	R23	No Ball	T23	No Ball
N24	No Ball	P24	No Ball	R24	No Ball	T24	No Ball
N25	No Ball	P25	No Ball	R25	No Ball	T25	No Ball
N26	No Ball	P26	No Ball	R26	No Ball	T26	No Ball
N27	No Ball	P27	No Ball	R27	No Ball	T27	No Ball
N28	No Ball	P28	No Ball	R28	No Ball	T28	No Ball
N29	No Ball	P29	No Ball	R29	No Ball	T29	No Ball
N30	V _{DD}	P30	V _{DD}	R30	V _{DD}	T30	GND
N31	PCIAD21	P31	PCIAD24	R31	PCIAD28	T31	PCIIDSel
N32	PCIAD23	P32	PCIAD26	R32	PCIAD29	T32	GPIO48*
N33	PCIAD22	P33	PCIAD25	R33	PCIAD30	T33	GND
N34	PCIC3/BE3	P34	PCIAD27	R34	PCIAD31	T34	GPIO47*

Table 6. Signals Listed by Ball Assignment (Sheet 5 of 9)

Ball	Signal Name	Ball	Signal Name	Ball	Signal Name	Ball	Signal Name
U01	MemData56	V01	MemData61	W01	MemData55	Y01	DM6
U02	MemData57	V02	MemData60	W02	GND	Y02	MemData49
U03	DM7	V03	MemData51	W03	MemData54	Y03	MemData48
U04	DQS7	V04	MemData50	W04	DQS6	Y04	SV _{REF1A}
U05	GND	V05	SOV _{DD}	W05	GND	Y05	V _{DD}
U06	No Ball	V06	No Ball	W06	No Ball	Y06	No Ball
U07	No Ball	V07	No Ball	W07	No Ball	Y07	No Ball
U08	No Ball	V08	No Ball	W08	No Ball	Y08	No Ball
U09	No Ball	V09	No Ball	W09	No Ball	Y09	No Ball
U10	No Ball	V10	No Ball	W10	No Ball	Y10	No Ball
U11	No Ball	V11	No Ball	W11	No Ball	Y11	No Ball
U12	No Ball	V12	No Ball	W12	No Ball	Y12	No Ball
U13	GND	V13	GND	W13	V _{DD}	Y13	GND
U14	GND	V14	GND	W14	V _{DD}	Y14	GND
U15	GND	V15	GND	W15	GND	Y15	GND
U16	GND	V16	GND	W16	GND	Y16	GND
U17	GND	V17	GND	W17	GND	Y17	GND
U18	GND	V18	GND	W18	GND	Y18	GND
U19	GND	V19	GND	W19	GND	Y19	GND
U20	GND	V20	GND	W20	GND	Y20	GND
U21	GND	V21	GND	W21	V _{DD}	Y21	GND
U22	GND	V22	GND	W22	V _{DD}	Y22	GND
U23	No Ball	V23	No Ball	W23	No Ball	Y23	No Ball
U24	No Ball	V24	No Ball	W24	No Ball	Y24	No Ball
U25	No Ball	V25	No Ball	W25	No Ball	Y25	No Ball
U26	No Ball	V26	No Ball	W26	No Ball	Y26	No Ball
U27	No Ball	V27	No Ball	W27	No Ball	Y27	No Ball
U28	No Ball	V28	No Ball	W28	No Ball	Y28	No Ball
U29	No Ball	V29	No Ball	W29	No Ball	Y29	No Ball
U30	OV _{DD}	V30	GND	W30	GND	Y30	V _{DD}
U31	PCIReq1	V31	PCIReq3	W31	PCIReq5	Y31	PCI _{Gnt3}
U32	GPIO46*	V32	GPIO44*	W32	PCIReq4	Y32	PCI _{Gnt2}
U33	GPIO45*	V33	PCIReq2	W33	GND	Y33	PCI _{Gnt1}
U34	GPIO43*	V34	PCIReq0/Gnt	W34	IRQ5*	Y34	PCI _{Gnt0/Req}

Data Sheet

Table 6. Signals Listed by Ball Assignment (Sheet 6 of 9)

Ball	Signal Name	Ball	Signal Name	Ball	Signal Name	Ball	Signal Name
AA01	MemData53	AB01	MemData46	AC01	MemData41	AD01	GND
AA02	MemData52	AB02	MemData47	AC02	SOV _{DD}	AD02	MemData44
AA03	MemData43	AB03	DM5	AC03	MemData40	AD03	MemData35
AA04	MemData42	AB04	DQS5	AC04	MemData45	AD04	MemData34
AA05	V _{DD}	AB05	V _{DD}	AC05	V _{DD}	AD05	V _{DD}
AA06	No Ball	AB06	No Ball	AC06	No Ball	AD06	No Ball
AA07	No Ball	AB07	No Ball	AC07	No Ball	AD07	No Ball
AA08	No Ball	AB08	No Ball	AC08	No Ball	AD08	No Ball
AA09	No Ball	AB09	No Ball	AC09	No Ball	AD09	No Ball
AA10	No Ball	AB10	No Ball	AC10	No Ball	AD10	No Ball
AA11	No Ball	AB11	No Ball	AC11	No Ball	AD11	No Ball
AA12	No Ball	AB12	No Ball	AC12	No Ball	AD12	No Ball
AA13	SOV _{DD}	AB13	GND	AC13	No Ball	AD13	No Ball
AA14	GND	AB14	SOV _{DD}	AC14	No Ball	AD14	No Ball
AA15	GND	AB15	GND	AC15	No Ball	AD15	No Ball
AA16	V _{DD}	AB16	V _{DD}	AC16	No Ball	AD16	No Ball
AA17	GND	AB17	GND	AC17	No Ball	AD17	No Ball
AA18	GND	AB18	GND	AC18	No Ball	AD18	No Ball
AA19	V _{DD}	AB19	V _{DD}	AC19	No Ball	AD19	No Ball
AA20	GND	AB20	GND	AC20	No Ball	AD20	No Ball
AA21	GND	AB21	EOV _{DD}	AC21	No Ball	AD21	No Ball
AA22	EOV _{DD}	AB22	GND	AC22	No Ball	AD22	No Ball
AA23	No Ball	AB23	No Ball	AC23	No Ball	AD23	No Ball
AA24	No Ball	AB24	No Ball	AC24	No Ball	AD24	No Ball
AA25	No Ball	AB25	No Ball	AC25	No Ball	AD25	No Ball
AA26	No Ball	AB26	No Ball	AC26	No Ball	AD26	No Ball
AA27	No Ball	AB27	No Ball	AC27	No Ball	AD27	No Ball
AA28	No Ball	AB28	No Ball	AC28	No Ball	AD28	No Ball
AA29	No Ball	AB29	No Ball	AC29	No Ball	AD29	No Ball
AA30	V _{DD}	AB30	V _{DD}	AC30	V _{DD}	AD30	V _{DD}
AA31	PCIRReset	AB31	GPIO23*	AC31	GPIO41*	AD31	SysReset
AA32	PCIClk	AB32	IIC0SClk	AC32	SCPDI*	AD32	SysErr
AA33	PCIGnt4	AB33	IIC0SData*	AC33	EOV _{DD}	AD33	GPIO40*
AA34	PCIGnt5	AB34	PCIINT	AC34	SCPClkOut*	AD34	GPIO42*

Table 6. Signals Listed by Ball Assignment (Sheet 7 of 9)

Ball	Signal Name	Ball	Signal Name	Ball	Signal Name	Ball	Signal Name
AE01	MemData39	AF01	MemData33	AG01	MemODT1	AH01	BankSel1
AE02	MemData38	AF02	MemData37	AG02	GND	AH02	BankSel0
AE03	DQS4	AF03	MemData32	AG03	MemData36	AH03	MemODT0
AE04	DM4	AF04	SV _{REF2A}	AG04	MemAddr13	AH04	CAS
AE05	GND	AF05	SOV _{DD}	AG05	GND	AH05	SOV _{DD}
AE06	No Ball	AF06	No Ball	AG06	No Ball	AH06	No Ball
AE07	No Ball	AF07	No Ball	AG07	No Ball	AH07	No Ball
AE08	No Ball	AF08	No Ball	AG08	No Ball	AH08	No Ball
AE09	No Ball	AF09	No Ball	AG09	No Ball	AH09	No Ball
AE10	No Ball	AF10	No Ball	AG10	No Ball	AH10	No Ball
AE11	No Ball	AF11	No Ball	AG11	No Ball	AH11	No Ball
AE12	No Ball	AF12	No Ball	AG12	No Ball	AH12	No Ball
AE13	No Ball	AF13	No Ball	AG13	No Ball	AH13	No Ball
AE14	No Ball	AF14	No Ball	AG14	No Ball	AH14	No Ball
AE15	No Ball	AF15	No Ball	AG15	No Ball	AH15	No Ball
AE16	No Ball	AF16	No Ball	AG16	No Ball	AH16	No Ball
AE17	No Ball	AF17	No Ball	AG17	No Ball	AH17	No Ball
AE18	No Ball	AF18	No Ball	AG18	No Ball	AH18	No Ball
AE19	No Ball	AF19	No Ball	AG19	No Ball	AH19	No Ball
AE20	No Ball	AF20	No Ball	AG20	No Ball	AH20	No Ball
AE21	No Ball	AF21	No Ball	AG21	No Ball	AH21	No Ball
AE22	No Ball	AF22	No Ball	AG22	No Ball	AH22	No Ball
AE23	No Ball	AF23	No Ball	AG23	No Ball	AH23	No Ball
AE24	No Ball	AF24	No Ball	AG24	No Ball	AH24	No Ball
AE25	No Ball	AF25	No Ball	AG25	No Ball	AH25	No Ball
AE26	No Ball	AF26	No Ball	AG26	No Ball	AH26	No Ball
AE27	No Ball	AF27	No Ball	AG27	No Ball	AH27	No Ball
AE28	No Ball	AF28	No Ball	AG28	No Ball	AH28	No Ball
AE29	No Ball	AF29	No Ball	AG29	No Ball	AH29	No Ball
AE30	GND	AF30	EOV _{DD}	AG30	GND	AH30	EOV _{DD}
AE31	GPIO52*	AF31	GPIO56*	AG31	GPIO58*	AH31	GPIO63*
AE32	GPIO50*	AF32	GPIO55*	AG32	TrcClk	AH32	GPIO61*
AE33	GPIO51*	AF33	GPIO54*	AG33	GND	AH33	GPIO59*
AE34	GPIO49*	AF34	GPIO53*	AG34	GPIO57*	AH34	GPIO60*

Data Sheet

Table 6. Signals Listed by Ball Assignment (Sheet 8 of 9)

Ball	Signal Name	Ball	Signal Name	Ball	Signal Name	Ball	Signal Name
AJ01	GND	AK01	MemClkOut	AL01	MemClkOut	AM01	GND
AJ02	\overline{WE}	AK02	SOV _{DD}	AL02	MemAddr10	AM02	GND
AJ03	BA0	AK03	BA1	AL03	GND	AM03	GND
AJ04	\overline{RAS}	AK04	GND	AL04	GND	AM04	GND
AJ05	SOV _{DD}	AK05	GND	AL05	GND	AM05	MemAddr00
AJ06	No Ball	AK06	SOV _{DD}	AL06	GND	AM06	MemAddr03
AJ07	No Ball	AK07	SOV _{DD}	AL07	MemAddr06	AM07	MemAddr08
AJ08	No Ball	AK08	GND	AL08	MemAddr11	AM08	MemAddr12
AJ09	No Ball	AK09	SOV _{DD}	AL09	ECC3	AM09	ECC2
AJ10	No Ball	AK10	GND	AL10	SV _{REF1B}	AM10	ECC6
AJ11	No Ball	AK11	V _{DD}	AL11	ECC1	AM11	ECC0
AJ12	No Ball	AK12	V _{DD}	AL12	MemData27	AM12	MemData31
AJ13	No Ball	AK13	V _{DD}	AL13	MemData30	AM13	DQS3
AJ14	No Ball	AK14	V _{DD}	AL14	DM3	AM14	MemData28
AJ15	No Ball	AK15	V _{DD}	AL15	MemData18	AM15	MemData23
AJ16	No Ball	AK16	GND	AL16	DQS2	AM16	MemData16
AJ17	No Ball	AK17	GND	AL17	MemData20	AM17	MemData21
AJ18	No Ball	AK18	SOV _{DD}	AL18	MemData09	AM18	DM1
AJ19	No Ball	AK19	GND	AL19	SV _{REF2B}	AM19	DQS1
AJ20	No Ball	AK20	V _{DD}	AL20	MemData03	AM20	MemData02
AJ21	No Ball	AK21	V _{DD}	AL21	DM0	AM21	DQS0
AJ22	No Ball	AK22	V _{DD}	AL22	MemData04	AM22	MemData05
AJ23	No Ball	AK23	V _{DD}	AL23	GPIO21*	AM23	GPIO20*
AJ24	No Ball	AK24	V _{DD}	AL24	GMCTxD0*	AM24	GMCTxEr*
AJ25	No Ball	AK25	GND	AL25	GPIO25*	AM25	GPIO24*
AJ26	No Ball	AK26	EOV _{DD}	AL26	GPIO17*	AM26	GPIO19*
AJ27	No Ball	AK27	GND	AL27	GMCTxClk	AM27	GMCGTxClk*
AJ28	No Ball	AK28	EOV _{DD}	AL28	GMCRxD0*	AM28	GMCRxD2*
AJ29	No Ball	AK29	EOV _{DD}	AL29	GND	AM29	GMCRxD4*
AJ30	EOV _{DD}	AK30	GND	AL30	GND	AM30	GMCRxD7*
AJ31	GMCRxDV*	AK31	GND	AL31	GND	AM31	GND
AJ32	GMCCD*	AK32	GMCCrS*	AL32	GND	AM32	GND
AJ33	GMCRRefClk*	AK33	EOV _{DD}	AL33	GMCRxEr*	AM33	GND
AJ34	GPIO62*	AK34	GMCMDDIO	AL34	GMCMDDClk	AM34	GND

Table 6. Signals Listed by Ball Assignment (Sheet 9 of 9)

Ball	Signal Name	Ball	Signal Name	Ball	Signal Name	Ball	Signal Name
AN01	GND	AP01	GND				
AN02	GND	AP02	GND				
AN03	GND	AP03	GND				
AN04	GND	AP04	MemAddr01				
AN05	SOV _{DD}	AP05	MemAddr02				
AN06	MemAddr05	AP06	MemAddr04				
AN07	MemAddr07	AP07	MemAddr09				
AN08	GND	AP08	BA2				
AN09	ClkEn	AP09	ECC7				
AN10	DM8	AP10	DQS8				
AN11	ECC5	AP11	ECC4				
AN12	SOV _{DD}	AP12	MemData26				
AN13	MemData25	AP13	MemData24				
AN14	MemData29	AP14	MemData19				
AN15	MemData22	AP15	DM2				
AN16	GND	AP16	MemData17				
AN17	MemData10	AP17	MemData11				
AN18	MemData14	AP18	MemData15				
AN19	GND	AP19	MemData13				
AN20	MemData12	AP20	MemData08				
AN21	MemData06	AP21	MemData07				
AN22	MemData00	AP22	MemData01				
AN23	EOV _{DD}	AP23	SysClk				
AN24	GMCTxEn*	AP24	AV _{DD}				
AN25	GMCTxD1*	AP25	AGND				
AN26	GPIO18*	AP26	GPIO16*				
AN27	GND	AP27	EAGND				
AN28	GMCRxCik*	AP28	EAV _{DD}				
AN29	GMCRxD3*	AP29	GMCRxD1*				
AN30	EOV _{DD}	AP30	GMCRxD5*				
AN31	GND	AP31	GMCRxD6*				
AN32	GND	AP32	GND				
AN33	GND	AP33	GND				
AN34	GND	AP34	GND				

Signal Descriptions

The PPC440EPx embedded controller is packaged in a 680-ball thermally enhanced plastic ball grid array (TE-EPBGA). The following tables describe the package level pin-out.

Table 7. Pin Summary

Group	No. of Pins
Total Signal Pins	367
AV _{DD}	1
AGND	1
EAV _{DD}	1
EAGND	1
UAV _{DD}	4
UAGND	5
OV _{DD}	26
SOV _{DD}	14
EOV _{DD}	12
V _{DD}	56
GND	192
Total Power Pins	313
Reserved	0
Total Pins	680

In the table *Table 8* on page 57, each I/O signal is listed along with a short description of its function. Active-low signals (for example, RAS) are marked with an overline. Please see *Table 5* on page 20 for the pin (ball) number to which each signal is assigned.

Multiplexed Signals

Some signals are multiplexed on the same pin so that the pin can be used for different functions. In most cases, the signal names shown in this table are not accompanied by signal names that may be multiplexed on the same pin. If you need to know what, if any, signals are multiplexed with a particular signal, look up the name in *Table 5* on page 20. It is expected that in any single application a particular pin will always be programmed to serve the same function. The flexibility of multiplexing allows a single chip to offer a richer pin selection than would otherwise be possible.

Note: Signals multiplexed with GPIO default to GPIO receivers and float after reset. Initialization software must configure the GPIO registers for the desired function as described in the GPIO chapter of the user's manual. Any of these signals requiring a particular state prior to running initialization code must be terminated with pull ups or pull downs.

Multipurpose Signals

In addition to multiplexing, some pins are also multi-purpose. For example, the EBC peripheral controller address pins (PerAddr) are used as outputs by the PPC440EPx to broadcast an address to external slave devices when the PPC440EPx has control of the external bus. When, during normal operation, an external master gains ownership

of the external bus, these same pins are used as inputs which are driven by the external master and received by the EBC in the PPC440EPx. In this example, the pins are also bidirectional, serving both as inputs and outputs.

Multimode Signals

In some cases (for example, Ethernet) the function of a pin may vary with different modes of operation. When a pin has multiple signal names assigned to distinguish different modes of operation, all of the names are shown.

Strapping Pins

One group of pins is used as strapped inputs during system reset. These pins function as strapped inputs only during reset and are used for other functions during normal operation (see “Strapping” on page 92). Note that these are *not multiplexed* pins since the function of the pins is not programmable.

Unused I/Os

Termination of unused receivers is generally required; however, there are some exceptions that reduce or eliminate the need for termination.

Signals Multiplexed with GPIO:

By default after reset, signals shared with GPIO pins are configured as GPIO receivers. Termination however, is not needed if the GPIO during initialization are configured as outputs. To configure as drivers, set and clear the appropriate bits in the GPIOx_ODR, GPIOx_TCR and GPIOx_OR registers as described in the GPIO chapter of the user’s manual.

PCI:

When the PCI bridge is unused, configure the PCI controller to park on the bus by pulling the PCIReg0[Gnt] signal low. Parking forces the PLB3 to PCI bridge to actively drive PCIAD31:0 and PCIC3:0[BE3:0]. The remaining PCI control signals must be terminated as follows:

- Disable the internal PCI arbiter and enable PCI synchronous mode. (See IIC Boot Strap Chapter in the user’s manual).

Note: Synchronous mode is not supported when operating the PCI bus. (This mode should only be used for terminating an unused PCI interface).

- Individually connect PCISerr, PCITRDY, and PCIStop through 3kΩ resistors to +3.3V.
- Individually connect PCIReq1:5 through 3kΩ resistors to +3.3V.
- Connect PCIReq0[Gnt] through 1kΩ resistor to GND.

DDR:

- In 32 bit mode, termination is not needed on the upper data, strobe and mask signals when the DDR I/O and DDR controller are configured for 32 bit mode, SDR0_DDRCFG[64B32B]=0 and DDR0_14[REDUC]=1.
- Termination of unused ECC signals (ECC0:7, DM8, DQS8) is not needed.

GMII and MII:

- Configure EMAC0 and EMAC1 to use internal clocks by setting SDR0_MFR[EnCS]=1 and reset EMACn by setting EMACn_MR0[SRST]=1.
- Pull down the following signals with 1K resistor: GMCCRefClk, GMCCD, GMCTxCLK and GMCRxCik. Pull downs are only required if the interface is never used.

SMIIx

- Configure the unused EMACn to use an internal clock by setting SDR0_MFR[EnCS]=1 and reset EMACn by setting EMACn_MR1[SRST]=1.
- No pull ups or pull downs required.

RGMIIX

- Configure the unused EMACn to use an internal clock by setting SDR0_MFR[EnCS]=1 and reset EMACn by setting EMACn_MR1[SRST]=1
- Pull down the unused GMCnRxClk signal with a 1K resistor. Pull down is only required if the interface is never used.

Data Sheet

Table 8. Signal Functional Description (Sheet 1 of 9)

Notes:

1. Receiver input has hysteresis
2. Must pull up (recommended value is 3k Ω to OV_{DD} (EOV_{DD} for Ethernet)
3. Must pull down (recommended value is 1k Ω)
4. If not used, must pull up (recommended value is 3k Ω to OV_{DD} (EOV_{DD} for Ethernet)
5. If not used, must pull down (recommended value is 1k Ω)
6. Strapping input during reset; pull-up or pull-down required

Signal Name	Description	I/O	Type	Notes
PCI Interface				
PCIAD00:31	Address/Data bus (bidirectional).	I/O	3.3V PCI	
PCIC0:3/BE0:3	PCI Command/Byte Enables.	I/O	3.3V PCI	
PCIClk	Provides timing to the PCI interface for PCI transactions.	I	3.3V PCI	1, 5
$\overline{\text{PCIDevSel}}$	Indicates the driving device has decoded its address as the target of the current access. (PCI 2.2 specification requires 8.2K Ω pull up on host system)	I/O	3.3V PCI	
$\overline{\text{PCIFrame}}$	Driven by the current master to indicate beginning and duration of an access. (PCI 2.2 specification requires 8.2K Ω pull up on host system)	I/O	3.3V PCI	
$\overline{\text{PCIGnt0/Req}}$	Indicates that the specified agent is granted access to the bus. When the internal arbiter is enabled, output is PCIGnt0. When the internal arbiter is disabled, output is Req. Note: When not using the PCI interface use termination recommendation “Unused I/Os” on page 56.	O	3.3V PCI	
$\overline{\text{PCIGnt1:5}}$	Indicates that the specified agent is granted access to the bus. Used only when internal PCI arbiter enabled.	O	3.3V PCI	
PCIIDSel	Used as a chip select during configuration read and write transactions.	I	3.3V PCI	
$\overline{\text{PCIINT}}$	Level sensitive PCI interrupt.	O	3.3V PCI	
$\overline{\text{PCIIRDY}}$	Indicates initiating agent’s ability to complete the current data phase of the transaction. (PCI 2.2 specification requires 8.2K Ω pull up on host system)	I/O	3.3V PCI	
PCIPar	Even parity.	I/O	3.3V PCI	
$\overline{\text{PCIPErr}}$	Reports data parity errors during all PCI transactions except a Special Cycle. (PCI 2.2 specification requires 8.2K Ω pull up on host system)	I/O	3.3V PCI	
$\overline{\text{PCIReq0/Gnt}}$	Indicates to the PCI arbiter that the specified agent wishes to use the bus. When the internal arbiter is enabled, input is PCIReq0. When internal arbiter is disabled, input is Gnt.	I	3.3V PCI	1, 4
$\overline{\text{PCIReq1:5}}$	An indication to the PCI arbiter that the specified agent wishes to use the bus. Used only when internal PCI arbiter enabled.	I	3.3V PCI	1, 4
$\overline{\text{PCIReset}}$	Brings PCI device registers and logic to a consistent state.	O	3.3V PCI	
$\overline{\text{PCISErr}}$	Reports address parity errors, data parity errors on the Special Cycle command, or other catastrophic system errors. (PCI 2.2 specification requires 8.2K Ω pull up on host system)	I/O	3.3V PCI	
$\overline{\text{PCIStop}}$	Indicates the current target is requesting the master to stop the current transaction. (PCI 2.2 specification requires 8.2K Ω pull up on host system)	I/O	3.3V PCI	
$\overline{\text{PCITRDY}}$	Indicates the target agent’s ability to complete the current data phase of the transaction. (PCI 2.2 specification requires 8.2K Ω pull up on host system)	I/O	3.3V PCI	

Table 8. Signal Functional Description (Sheet 2 of 9)

Notes:

1. Receiver input has hysteresis
2. Must pull up (recommended value is 3k Ω to OV_{DD} (EOV_{DD} for Ethernet)
3. Must pull down (recommended value is 1k Ω)
4. If not used, must pull up (recommended value is 3k Ω to OV_{DD} (EOV_{DD} for Ethernet)
5. If not used, must pull down (recommended value is 1k Ω)
6. Strapping input during reset; pull-up or pull-down required

Signal Name	Description	I/O	Type	Notes
DDR2/1 SDRAM Interface				
BA0:2	Bank Address supporting up to eight internal banks.	O	2.5V (1.8V) SDRAM-DDR	
BankSel0:1	Selects up to two external DDR SDRAM banks.	O	2.5V (1.8V) SDRAM-DDR	
CAS	Column Address Strobe.	O	2.5V (1.8V) SDRAM-DDR	
ClkEn	Clock Enable.	O	2.5V (1.8V) SDRAM-DDR	
DM0:7 DM8	Memory write data byte lane masks. DM8 is the byte lane mask for the ECC byte lane.	O	2.5V (1.8V) SDRAM-DDR	
DQS0:7 DQS8	Byte lane data strobe. Byte lane data strobe for ECC.	I/O	2.5V (1.8V) SDRAM-DDR	
ECC0:7	ECC check bits 0:7.	I/O	2.5V (1.8V) SDRAM-DDR	
MemAddr00:13	Memory address bus.	O	2.5V (1.8V) SDRAM-DDR	
MemData00:63	Memory data bus (MemData32:63 available for DDR2 only).	I/O	2.5V (1.8V) SDRAM-DDR	
MemClkOut MemClkOut	Subsystem clock.	O	2.5V (1.8V) SDRAM-DDR Diff driver	
MemODT0:1	DDR2 On-die termination enable (not used with DDR1).	O	2.5V (1.8V) SDRAM-DDR	
RAS	Row Address Strobe.	O	2.5V (1.8V) SDRAM-DDR	
WE	Write Enable.	O	2.5V (1.8V) SDRAM-DDR	
S _{VREF1A:B}	DDR SDRAM reference voltage 1 input.	I	Volt ref receiver (1.25V or 0.9V)	
S _{VREF2A:B}	DDR SDRAM reference voltage 2 input.	I	Volt ref driver (1.25V or 0.9V)	

Data Sheet

Table 8. Signal Functional Description (Sheet 3 of 9)

Notes:

1. Receiver input has hysteresis
2. Must pull up (recommended value is 3k Ω to OV_{DD} (EOV_{DD} for Ethernet)
3. Must pull down (recommended value is 1k Ω)
4. If not used, must pull up (recommended value is 3k Ω to OV_{DD} (EOV_{DD} for Ethernet)
5. If not used, must pull down (recommended value is 1k Ω)
6. Strapping input during reset; pull-up or pull-down required

Signal Name	Description	I/O	Type	Notes
Ethernet Interface				
GMCRxD0:1, GMC0RxD0:1, SMII0:1RxD	GMII/MII: Receive data. RGMII 0: Receive data. SMII 0:1: Receive data.	I	3.3V tolerant 2.5V CMOS	1
GMCRxD2:3 GMC0RxD2:3	GMII/MII: Receive data. RGMII 0: Receive data.	I	3.3V tolerant 2.5V CMOS	1
GMCRxD4:7, GMC1RxD0:3	GMII/MII: Receive data. RGMII 1: Receive data.	I	3.3V tolerant 2.5V CMOS	1
GMCTxD0:1, GMC0TxD0:1, SMII0:1TxD	GMII/MII: Transmit data. RGMII 0: Transmit data. SMII 0:1: Transmit data.	O	3.3V tolerant 2.5V CMOS	
GMCTxD2:3, GMC0TxD2:3	GMII/MII: Transmit data. RGMII 0: Transmit data.	O	3.3V tolerant 2.5V CMOS	1
GMCTxD4:7, GMC1TxD0:3	GMII/MII: Transmit data. RGMII 1: Transmit data.	O	3.3V tolerant 2.5V CMOS	1
GMCRxEr, GMC1RxCtl	GMII/MII: Receive error. RGMII 1: Receive control.	I	3.3V tolerant 2.5V CMOS	1
GMCRxCIk, GMC0RxCIk, SMIISync	GMII/MII: Receive clock. RGMII 0: Receive clock. SMII: Synchronizing signal. Note: Redrive SMIISync when driving more than one load. SMIISync is a weak driver.	I	3.3V tolerant 2.5V CMOS	1, 5
GMCRxDV, GMC0RxCtl	GMII/MII: Receive data valid. RGMII 0: Receive control.	I	3.3V tolerant 2.5V CMOS	1
GMCCrS, GMC1TxCIk	GMII/MII: Carrier sense. RGMII 1: Transmit clock.	I/O	3.3V tolerant 2.5V CMOS	1
GMCTxEr, GMC1TxCtl	GMII/MII: Transmit error. RGMII 1: Transmit control.	O	3.3V tolerant 2.5V CMOS	
GMCTxEn, GMC0TxCtl	GMII/MII: Transmit enable. RGMII 0: Transmit control.	O	3.3V tolerant 2.5V CMOS	
GMCTxCIk	MII: Transmit clock for MII.	I	3.3V tolerant 2.5V CMOS	1, 5
GMCCD, GMC1RxCIk	GMII/MII: Collision detect. RGMII 1: Receive clock.	I	3.3V tolerant 2.5V CMOS	1, 5
GMCMDCIk	Management data clock	O	3.3V tolerant 2.5V CMOS	
GMCMADIO	Management data I/O	I/O	3.3V tolerant 2.5V CMOS	
GMCGTxCIk, GMC0TxCIk	GMII: Transmit clock for GMII. RGMII 0: Transmit clock.	O	3.3V tolerant 2.5V CMOS	
GMCRRefCIk, SMIIRefCIk	GMII, RGMII: Reference clock. SMII: Reference clock.	I	3.3V tolerant 2.5V CMOS Rcvr	1, 5
RejectPkt0:1	External request to reject a packet.	I	3.3V tolerant 2.5V CMOS	1

Table 8. Signal Functional Description (Sheet 4 of 9)

Notes:

1. Receiver input has hysteresis
2. Must pull up (recommended value is 3k Ω to OV_{DD} (EOV_{DD} for Ethernet)
3. Must pull down (recommended value is 1k Ω)
4. If not used, must pull up (recommended value is 3k Ω to OV_{DD} (EOV_{DD} for Ethernet)
5. If not used, must pull down (recommended value is 1k Ω)
6. Strapping input during reset; pull-up or pull-down required

Signal Name	Description	I/O	Type	Notes
External Slave Peripheral Interface				
DMAAck0:3	Used by the PPC440EPx to indicate that data transfers have occurred.	O	3.3V LVTTTL	1
DMAReq0	Used by slave peripherals to indicate they are prepared to transfer data.	I	3.3V LVTTTL	1
DMAReq1	Used by slave peripherals to indicate they are prepared to transfer data.	I	3.3V LVTTTL	1, 5
DMAReq2:3	Used by slave peripherals to indicate they are prepared to transfer data.	I	3.3V LVTTTL	1
EOT0:3/TC0:3	End Of Transfer/Terminal Count.	I/O	3.3V LVTTTL	1
PerAddr02:07	Peripheral address bus used by the PPC440EPx when not in external master mode; otherwise, used by external master.	I/O	3.3V LVTTTL	1, 2
PerAddr08:31	Peripheral address bus used by the PPC440EPx when not in external master mode; otherwise, used by external master.	I/O	3.3V LVTTTL	
PerData00:31	Peripheral data bus used by the PPC440EPx when not in external master mode; otherwise, used by external master. Note: PerData00 is the most significant bit (msb) on this bus.	I/O	3.3V LVTTTL	
PerDataPar0:3	Peripheral data bus parity used by the PPC440EPx when not in external master mode; otherwise, used by external master.	I/O	3.3V LVTTTL	
PerBLast	Used by either the peripheral controller, DMA controller, or external master to indicate the last transfer of a memory access.	I/O	3.3V LVTTTL	1, 4
PerCS0	External peripheral device select.	O	3.3V LVTTTL	2
PerCS1:5	External peripheral device select.	I/O	3.3V LVTTTL	1, 2
PerOE	Used by either peripheral controller or DMA controller depending upon the type of transfer involved. When the PPC440EPx is the bus master, it enables the selected device to drive the bus.	O	3.3V LVTTTL	1, 2
PerReady	Used by a peripheral slave to indicate it is ready to transfer data.	I	3.3V LVTTTL	1
PerR/ \overline{W}	Used by the PPC440EPx when not in external master mode, as output by either the peripheral controller or DMA controller depending upon the type of transfer involved. High indicates a read from memory, low indicates a write to memory. Otherwise, it is used by the external master as an input to indicate the direction of transfer.	I/O	3.3V LVTTTL	1, 2
PerWBE0:3	External peripheral data bus byte enables.	I/O	3.3V LVTTTL	1, 2
PerErr	External Error. Used as an input to record external slave peripheral errors.	I	3.3V LVTTTL	1

Data Sheet

Table 8. Signal Functional Description (Sheet 5 of 9)

Notes:

1. Receiver input has hysteresis
2. Must pull up (recommended value is 3k Ω to OV_{DD} (EOV_{DD} for Ethernet)
3. Must pull down (recommended value is 1k Ω)
4. If not used, must pull up (recommended value is 3k Ω to OV_{DD} (EOV_{DD} for Ethernet)
5. If not used, must pull down (recommended value is 1k Ω)
6. Strapping input during reset; pull-up or pull-down required

Signal Name	Description	I/O	Type	Notes
External Master Peripheral Interface				
BusReq	Bus Request. Used when the PPC440EPx needs to regain control of peripheral interface from an external master.	O	3.3V LVTTTL	
$\overline{\text{ExtAck}}$	External Acknowledgement. Used by the PPC440EPx to indicate that a data transfer occurred.	O	3.3V LVTTTL	
$\overline{\text{ExtReq}}$	External Request. Used by an external master to indicate it is prepared to transfer data.	I	3.3V LVTTTL	1
$\overline{\text{ExtReset}}$	Peripheral Reset. Used by an external master and by synchronous peripheral slaves. Note: The state of signals or clocks cannot be guaranteed until the ExtReset signal has been de-asserted.	O	3.3V LVTTTL	
HoldAck	Hold Acknowledge. Used by the PPC440EPx to transfer ownership of peripheral bus to an external master.	O	3.3V LVTTTL	
HoldReq	Hold Request. Used by an external master to request ownership of the peripheral bus.	I	3.3V LVTTTL	
HoldPri	Hold Primary. Used by an external master to indicate the priority of a given external master tenure.	I	3.3V LVTTTL w/pull-up	
PerClk	Peripheral Clock. Used by an external master and by synchronous peripheral slaves.	O	3.3V LVTTTL	1
UART Peripheral Interface				
The UART interface can be configured as follows:				
1. One 8-pin, where n = 0				
2. Two 4-pin, where n = 0 & 1				
3. One 4-pin, where n = 0 and two 2-pin, where n = 1 & 2				
4. Four 2-pin, where n = 0 & 1 & 2 & 3				
UARTSerClk	The SerClk input provides an alternative to the internally generated serial clock. It is used in cases where the allowable internally generated clock rates are not satisfactory.	I	3.3V LVTTTL	1, 4
UARTn_Rx	Receive data.	I	3.3V LVTTTL Rcvr	1, 4
UARTn_Tx	Transmit data.	O	3.3V LVTTTL	
$\overline{\text{UARTn_DCD}}$	Data Carrier Detect.	I	3.3V LVTTTL	1, 6
$\overline{\text{UARTn_DSR}}$	Data Set Ready.	I	3.3V LVTTTL	1, 6
$\overline{\text{UARTn_CTS}}$	Clear To Send.	I	3.3V LVTTTL	1, 6
$\overline{\text{UARTn_DTR}}$	Data Terminal Ready.	O	3.3V LVTTTL	1
$\overline{\text{UARTn_RTS}}$	Request To Send.	O	3.3V LVTTTL	1
UARTn_RI	Ring Indicator.	I	3.3V LVTTTL	1
IIC Peripheral Interface				
IIC0SClk	IIC0 Serial Clock.	I/O	3.3V LVTTTL	1, 2
IIC0SData	IIC0 Serial Data.	I/O	3.3V LVTTTL	1, 2
IIC1SClk	IIC1 Serial Clock.	I/O	3.3V LVTTTL	2
IIC1SData	IIC1 Serial Data.	I/O	3.3V LVTTTL	2

Table 8. Signal Functional Description (Sheet 6 of 9)

Notes:

1. Receiver input has hysteresis
2. Must pull up (recommended value is 3k Ω to OV_{DD} (EOV_{DD} for Ethernet)
3. Must pull down (recommended value is 1k Ω)
4. If not used, must pull up (recommended value is 3k Ω to OV_{DD} (EOV_{DD} for Ethernet)
5. If not used, must pull down (recommended value is 1k Ω)
6. Strapping input during reset; pull-up or pull-down required

Signal Name	Description	I/O	Type	Notes
USB UTMI Peripheral Interface				
USB2DI7:0	Unidirectional data inputs.	I/O	3.3V LVTTTL	
USB2DO7:0	Unidirectional data outputs.	I/O	3.3V LVTTTL	
USB2TxRdy	Transmit data ready.	I	3.3V LVTTTL w/pull-down	
USB2RxAct	Receive active.	I	3.3V LVTTTL	
USB2RxDV	Receive valid.	I/O	3.3V LVTTTL w/pull-up	1
USB2RxErr	Receive error.	I/O	3.3V LVTTTL	1
USB2LS0:1	Line state 0 and Line state 1.	I	3.3V LVTTTL w/pull-up	
USB2TxVal	Transmit valid.	I/O	3.3V LVTTTL	1
USB2Susp	Suspend.	I/O	3.3V LVTTTL	1
USB2XcvrSel	Transceiver select.	I/O	3.3V LVTTTL	1
USB2TermSel	Termination select.	I/O	3.3V LVTTTL	1
USB2OM0:1	Operational mode. Only Normal Mode is supported. USB2OM0:1 is fixed to = 2'b00.	I/O	3.3V LVTTTL	1
USB2Cik	USB 2.0 Clock (60MHz).	I	3.3V LVTTTL	1, 5
USB PHY Peripheral Interface				
USB2Xcvr USB2Xcvr	USB 2.0 differential transceiver.	I/O	5V tolerant Analog	5
USB2XtalIn USB2XtalOut	USB 2.0 external crystal (48MHz) or external oscillator (48MHz). External crystal: In/Out differential must not be less than 500mV. External oscillator: Connect oscillator with signal swing of 3.3V between USB2XtalOut and ground. See Table 18 on page 75.	I/O	Analog	
USB2RExt	External resistor connection for bias current. Use 3.4k Ω , 1% resistor connected to GND.	I/O	Analog	
NAND Flash Interface				
NFALE	Address Latch Enable.	O	3.3V LVTTTL	1
NFCE0:3	Chip Enable (multiplexed with the PerCS0:3 signals).	O	3.3V LVTTTL	1
NFCLE	Command Latch Enable. Latches operational commands into the NAND Flash.	O	3.3V LVTTTL	1
NFRdyBusy	Ready/Busy. Indicates status of device during program erase or page read. This signal is wire-OR connected from all NAND Flash devices.	I	3.3V LVTTTL	1
NFREn	Read Enable. Data is latched on the rising edge.	O	3.3V LVTTTL	1
NFWEn	Write Enable. Data is latched on the rising edge.	O	3.3V LVTTTL	1

Data Sheet

Table 8. Signal Functional Description (Sheet 7 of 9)

Notes:

1. Receiver input has hysteresis
2. Must pull up (recommended value is 3k Ω to OV_{DD} (EOV_{DD} for Ethernet)
3. Must pull down (recommended value is 1k Ω)
4. If not used, must pull up (recommended value is 3k Ω to OV_{DD} (EOV_{DD} for Ethernet)
5. If not used, must pull down (recommended value is 1k Ω)
6. Strapping input during reset; pull-up or pull-down required

Signal Name	Description	I/O	Type	Notes
Serial Peripheral Interface				
SCPClkOut	Clock output.	I/O	3.3V LVTTTL	2
SCPDI	Data input.	I/O	3.3V LVTTTL	2
SCPDO	Data output.	O	3.3V LVTTTL	2
Interrupts Interface				
IRQ0:4	External interrupt requests 0 through 4.	I/O	3.3V LVTTTL	1
IRQ5	External interrupt request 5.	I	3.3V LVTTTL Rcvr	1, 5
IRQ6:9	External interrupt requests 6 through 9.	I/O	3.3V LVTTTL	1
JTAG Interface				
TCK	Test Clock.	I	3.3V LVTTTL w/pull-up	1
TDI	Test Data In.	I	3.3V LVTTTL w/pull-up	1, 4
TDO	Test Data Out.	O	3.3V LVTTTL	
TMS	Test Mode Select.	I	3.3V LVTTTL w/pull-up	1
$\overline{\text{TRST}}$	Test Reset. Note: Must be asserted low during a power-on system reset in order to reset the JTAG interface. If the JTAG interface is not reset, the processor may not boot.	I	3.3V LVTTTL w/pull-up	1, 5

Table 8. Signal Functional Description (Sheet 8 of 9)

Notes:

1. Receiver input has hysteresis
2. Must pull up (recommended value is 3k Ω to OV_{DD} (EOV_{DD} for Ethernet)
3. Must pull down (recommended value is 1k Ω)
4. If not used, must pull up (recommended value is 3k Ω to OV_{DD} (EOV_{DD} for Ethernet)
5. If not used, must pull down (recommended value is 1k Ω)
6. Strapping input during reset; pull-up or pull-down required

Signal Name	Description	I/O	Type	Notes
System Interface				
SysClk	Main system clock input.	I	3.3V tolerant 2.5V CMOS	1
SysErr	Set to 1 by an instruction machine check. The machine check is a result of the attempted execution of an instruction transferred on the PLB with a bus error. This output signal remains a logic 1 until the machine check error is cleared in the Exception Syndrome Register (ESR).	O	3.3V tolerant 2.5V CMOS	
SysReset	Main system reset. External logic can drive this bidirectional pin low (minimum of 16 cycles) to initiate a system reset. A system reset can also be initiated by software. Implemented as an open-drain output (two states; 0 or open circuit).	I/O	3.3V tolerant 2.5V CMOS	1, 2
Halt	Halt from external debugger.	I	3.3V LVTTTL Rcvr w/pull-up	
TmrClk	Processor timer external input clock.	I	3.3V LVTTTL	
GPIO00:15 GPIO22:23 GPIO26:48	General purpose I/O. To access these functions, software must set DCR register bits.	I/O	3.3V LVTTTL	1
GPIO16:21 GPIO24:25	General purpose I/O. To access these functions, software must set DCR register bits.	I/O	3.3V tolerant 2.5V CMOS	1
GPIO49:63	General purpose I/O. To access these functions, software must set DCR register bits.	I/O	3.3V tolerant 2.5V CMOS	
TestEn	Test Enable. Note: Do not connect for normal operation.	I	3.3V LVTTTL Rcvr w/pull-down	
RcvrInh	Receiver Inhibit. Active only when TestEn is active. Used for manufacturing test only.	I	3.3V LVTTTL	1
ModeCtrl	Mode Control. Active only when TestEn is active. Used for manufacturing test only.	I	3.3V tolerant 2.5V CMOS Rcvr	1
LeakTest LeakTest2	Leakage Test. Active only when TestEn is active. Used for manufacturing test only.	I	3.3V LVTTTL w/pull-up	1
RefEn	Reference Enable. Active only when TestEn is active. Used for manufacturing test only.	I	3.3V LVTTTL	1
DrvrInh1:2	Driver Inhibit. Active only when TestEn is active. Used for manufacturing test only.	I	3.3V LVTTTL w/pull-up	1
TherMonA:B	On-chip PNP thermal monitor transistor. A is the emitter and B is the base. The collector is grounded.	I	Thermal monitor	5
PSROOut	Module characterization and screening. Use for test purposes only. Tie down as specified in Note 3 for normal operation.	O	Perf screen ring oscillator	1, 3

Data Sheet

Table 8. Signal Functional Description (Sheet 9 of 9)

Notes:

1. Receiver input has hysteresis
2. Must pull up (recommended value is 3k Ω to OV_{DD} (EOV_{DD} for Ethernet)
3. Must pull down (recommended value is 1k Ω)
4. If not used, must pull up (recommended value is 3k Ω to OV_{DD} (EOV_{DD} for Ethernet)
5. If not used, must pull down (recommended value is 1k Ω)
6. Strapping input during reset; pull-up or pull-down required

Signal Name	Description	I/O	Type	Notes
Trace Interface				
TrcBS0:2	Trace branch execution status.	I/O	3.3V tolerant 2.5V CMOS	
TrcClk	Trace data capture clock, runs at 1/4 the frequency of the processor.	O	3.3V tolerant 2.5V CMOS	
TrcES0:4	Trace Execution Status is presented every fourth processor clock cycle.	I/O	3.3V tolerant 2.5V CMOS	
TrcTS0:6	Additional information on trace execution and branch status.	I/O	3.3V tolerant 2.5V CMOS	
Power				
V _{DD}	+1.5V—Logic voltage.	n/a	n/a	
OV _{DD}	+3.3V—I/O (except DDR2 SDRAM and Ethernet).	n/a	n/a	
EOV _{DD}	+2.5V—I/O Ethernet.	n/a	n/a	
SOV _{DD}	+1.8V (DDR2) or +2.5V (DDR1)—I/O DDR SDRAM.	n/a	n/a	
GND	Ground for logic and I/O voltage.	n/a	n/a	
AV _{DD}	+1.5V—Filtered voltage for system PLLs (analog).	n/a	n/a	
AGND	Ground for system PLL voltage (analog).	n/a	n/a	
EAV _{DD}	+1.5V—Filtered voltage for Ethernet PLLs (analog).	n/a	n/a	
EAGND	Ground for Ethernet PLL voltage (analog).	n/a	n/a	
U1AV _{DD}	+3.3V—Filtered voltage for USB PLL (analog). Connect to OV _{DD} .	n/a	n/a	
U2AV _{DD}	+3.3V—Filtered voltage for USB PHY (analog). Connect to OV _{DD} .	n/a	n/a	
U1AGND	Ground for USB PLL (analog) voltage. Connect to GND.	n/a	n/a	
U2AGND	Ground for USB PHY (analog) voltage. Connect to GND.	n/a	n/a	

Device Characteristics

Table 9. Absolute Maximum Ratings

The absolute maximum ratings below are stress ratings only. Operation at or beyond these maximum ratings can cause permanent damage to the device. None of the performance specification contained in this document are guaranteed when operating at these maximum ratings.

Characteristic	Symbol	Value	Unit	Notes
Internal logic supply voltage	V_{DD}	0 to +1.65	V	1
I/O supply voltage	OV_{DD}	0 to +3.6	V	1
Ethernet I/O supply voltage	EOV_{DD}	0 to +2.7	V	1
DDR2 (DDR1) SDRAM I/O supply voltage	SOV_{DD}	0 to +1.94 (+2.7V)	V	1
System analog supply voltage	AV_{DD}	0 to +1.65	V	
Ethernet analog supply voltage	EAV_{DD}	0 to +1.65	V	
USB PLL analog supply voltage	$U1AV_{DD}$	0 to +3.6	V	
USB PHY analog supply voltage	$U2AV_{DD}$	0 to +3.6	V	
Storage Temperature Range	T_{STG}	-55 to +150	°C	
Case temperature under bias	T_C	-40 to +120	°C	2

Notes:

1. If $OV_{DD} \leq 0.4V$, it is required that $V_{DD} \leq 0.4V$. Supply excursions not meeting this criteria must be limited to less than 25ms duration during each power up or power down event.
2. This value is not a specification of the operational temperature range, it is a stress rating only.

Table 10. Recommended DC Operating Conditions (Sheet 1 of 2)

Device operation beyond the conditions specified is not recommended. Extended operation beyond the recommended conditions can affect device reliability.

Parameter	Symbol	Minimum	Typical	Maximum	Unit	Notes
Logic Supply Voltage	V_{DD}	+1.425	+1.5	+1.6	V	4
I/O Supply Voltage	OV_{DD}	+3.15	+3.3	+3.45	V	4
Ethernet I/O Supply Voltage	EOV_{DD}	+2.4	+2.5	+2.6	V	4
DDR2 (DDR1) SDRAM I/O Supply Voltage	SOV_{DD}	+1.7 (+2.4)	+1.8 (+2.5)	+1.9 (+2.6)	V	4
System Analog Supply Voltages	AV_{DD}	+1.425	+1.5	+1.6	V	3, 4
Ethernet Analog Voltage	EAV_{DD}	+1.425	+1.5	+1.6	V	3, 4
USB Analog Voltages	$UnAV_{DD}$	+3.15	+3.3	+3.45	V	3, 4
DDR2 (DDR1) SDRAM Reference Voltage	SV_{REF}	+0.85 (+1.19)	+0.9 (+1.25)	+0.95 (+1.31)	V	2

Data Sheet

Table 10. Recommended DC Operating Conditions (Sheet 2 of 2)

Device operation beyond the conditions specified is not recommended. Extended operation beyond the recommended conditions can affect device reliability.

Parameter	Symbol	Minimum	Typical	Maximum	Unit	Notes
Input Logic High 3.3V PCI	V_{IH}	$0.5OV_{DD}$		$OV_{DD}+0.5$	V	1
Input Logic High 3.3V LVTTTL		+2.0		+3.6	V	
Input Logic High 2.5V CMOS, 3.3V tolerant		+1.7		+3.6	V	
Input Logic High 1.8V DDR2 (2.5V DDR1)		$SV_{REF} + 0.125 (0.15)$		2.2 (3.0)	V	
Input Logic Low 3.3V PCI	V_{IL}	-0.5		$0.35OV_{DD}$	V	1
Input Logic Low 3.3V LVTTTL		0		+0.8	V	
Input Logic Low 2.5V CMOS		0		+0.7	V	
Input Logic Low 1.8V DDR2 (2.5V DDR1)		-0.3 (-0.3)		$SV_{REF} - 0.125 (0.15)$	V	
Output Logic High 3.3V PCI	V_{OH}	$0.9OV_{DD}$		-	V	1
Output Logic High 3.3V LVTTTL		+2.4		+3.6	V	
Output Logic High 2.5V CMOS		+2.0		+2.7	V	
Output Logic High 1.8V DDR2 (2.5V DDR1)		+0.95 (+1.7)		+1.95 (+2.7)	V	5
Output Logic Low 3.3V PCI	V_{OL}	-		$0.1OV_{DD}$	V	1
Output Logic Low 3.3V LVTTTL		0		+0.4	V	
Output Logic Low 2.5V CMOS		0		+0.4	V	
Output Logic Low 1.8V DDR2 (2.5V DDR1)		0		+0.43 (+0.54)	V	5
Input Leakage Current (no pull-up or pull-down)	I_{IL1}	0		0	μA	
Input Leakage Current for pull-down	I_{IL2}	0 (LPDL)		200 (MPUL)	μA	
Input Leakage Current for pull-up	I_{IL3}	-150 (LPDL)		0 (MPUL)	μA	
Input Max Allowable Overshoot 3.3V LVTTTL	V_{IMAO}			+3.9	V	
Input Max Allowable Undershoot 3.3V LVTTTL	V_{IMAU}	-0.6			V	
Output Max Allowable Overshoot 3.3V LVTTTL	V_{OMAO}			+3.9	V	
Output Max Allowable Undershoot 3.3V LVTTTL	V_{OMAU3}	-0.6			V	
Case Temperature	T_C	-40		+100	$^{\circ}C$	6

Notes:

1. PCI drivers meet PCI specifications.
2. $SV_{REF} = SOV_{DD}/2$. $SOV_{DD} = +1.8V$ for DDR2 memory or $+2.5V$ for DDR1 memory.
3. The analog voltages used for the on-chip PLLs can be derived from the logic voltage, but must be filtered before entering the PPC440EPx. See "Absolute Maximum Ratings" on page 66.
4. Startup sequencing of the power supply voltages is not required. A power-down cycle must complete (OV_{DD} and V_{DD} are below +0.4V) before a new power-up cycle is started
5. At $I_{OH} = I_{OL} = 10ma$.
6. Case temperature, T_C , is measured at top center of case surface with device soldered to a circuit board.

Figure 4. Overshoot Waveform

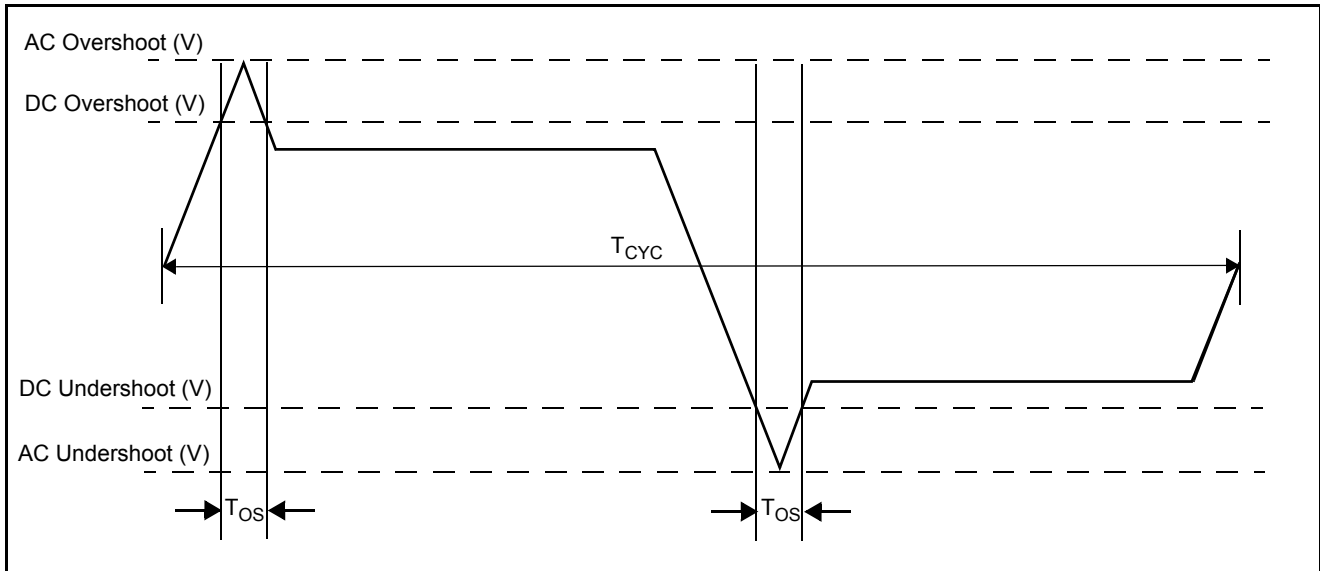


Table 11. Overshoot and Undershoot

Receiver	AC Overshoot (V)	DC Overshoot (V)	DC Undershoot (V)	AC Undershoot (V)	T _{Os}
3.3V LVTTTL	3.9	3.6	0	-0.6	0.1*T _{CYC} ¹
2.5V (3.3V tolerant)	3.9	3.6	0	-0.6	0.1*T _{CYC} ¹
DDR	1.2*SOV _{DD}	SOV _{DD} + 0.3	0	-0.6	0.1/MemClkOut
PCI	1.2*OV _{DD}	OV _{DD} + 0.5	0	-0.2*OV _{DD}	0.1/PCIClk

Notes:

- T_{CYC} is the period of the bus clock.
 1/PerClk - EBC and NAND flash interfaces.
 1/GMCRXClk - GMII and MII mode
 1/SMIIRefClk - SMII mode
 1/GMCRxClk and 1/GMC1RxClk - RGMII mode
 1/USB2Clk - UTMI
 1/TrcClk - instruction trace interface
 1/IIC0Clk and 1/IIC1Clk - IIC interfaces
 1/SPIClkOut - SPI

Data Sheet

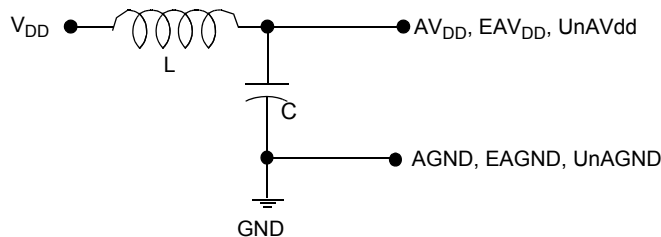
Power Sequencing

Startup sequencing of the power supply voltages is not required. However, a power-down cycle must complete (OV_{DD} and V_{DD} are below +0.4V) before a new power-up cycle is started.

Analog Voltage Filter

The analog voltages (AV_{dd} , EAV_{dd} , and $UnAV_{dd}$) used for the on-chip PLLs can be derived from the logic voltage, but must be filtered before the PPC440EPx. A Separate filter, as shown below, is recommended for each voltage.

- The filter should keep the analog voltage to analog ground compression/expansion due to noise less than ± 50 mV.
- Keep all wire lengths as short as possible.
- Analog grounds must be brought out and connected to the digital ground plane at the filter capacitor.
- The impedance of the ferrite bead should be much greater than that of the capacitor at frequencies where noise is expected.



L – SMT ferrite bead chip, Murata
BLM21PG600SN1
C – 0.1 μ F ceramic dielectric

Power Specification

The following tables contain measured power numbers. The measurement conditions are listed as Notes below each table.

Table 12. Typical DC Power Supply Requirements Using DDR2 Memory

Frequency (MHz)	+1.5V Supply ($V_{DD}+AV_{DD}+EAV_{DD}$)	+1.8V Supply (SOV_{DD})	+2.5V Supply (EOV_{DD})	+3.3V Supply ($OV_{DD}+UAV_{DD}$)	Total	Unit	Notes
400	1.61	0.35	0.28	0.2	2.44	W	1
533	1.82	0.36	0.28	0.2	2.66	W	1
667	2.16	0.37	0.28	0.2	3.01	W	1

Notes:

1. Typical power is measured and is based on a nominal voltage of $V_{DD} = +1.5V$, $T_C = 100^\circ C$, while running Linux and a test application that exercises each function with representative traffic.

Table 13. Typical DC Power Supply Requirements Using DDR1 Memory

Frequency (MHz)	+1.5V Supply ($V_{DD}+AV_{DD}+EAV_{DD}$)	+1.8V Supply (SOV_{DD})	+2.5V Supply ($SOV_{DD} + EO_{V_{DD}}$)	+3.3V Supply ($OV_{DD}+UAV_{DD}$)	Total	Unit	Notes
400	1.69	na	1.33	0.2	3.22	W	1
533	1.88	na	1.35	0.2	3.43	W	1
667	2.20	na	1.37	0.2	3.77	W	1

Notes:

1. Typical power is measured and is based on a nominal voltage of $V_{DD} = +1.5V$, $T_C = 100^{\circ}C$, while running Linux and a test application that exercises each function with representative traffic.

Table 14. V_{DD} Supply Power Dissipation

Frequency (MHz)	+1.425V	+1.5V	+1.6V	Unit	Notes
400	1.49	1.69	2.00	W	1
533	1.64	1.88	2.21	W	1
667	1.94	2.20	2.78	W	1

Notes:

1. Power is measured and is based on V_{DD} specified in the table and $T_C = 100^{\circ}C$, while running Linux and a test application that exercises each function with representative traffic.

Data Sheet

Table 15. DC Power Supply Loads

Parameter	Symbol	Typical ⁴	Maximum ⁵	Unit	Notes
V _{DD} (+1.5V) active operating current	I _{DD}	1575	3350	mA	
OV _{DD} (+3.3V) active operating current	I _{ODD}	60	70	mA	
EOV _{DD} (+2.5V) active operating current	I _{EODD}	115	120	mA	
SOV _{DD} (+1.8V) DDR2 active operating current ²	I _{SODD2}	210	300	mA	
SOV _{DD} (+2.5V) DDR1 active operating current ²	I _{SODD1}	440	450	mA	
AV _{DD} (+1.5V) input current ¹	I _{ADD}	20	30	mA	
EAV _{DD} (+1.5V) active operating current	I _{EADD}	20	30	mA	1
UnAV _{DD} (+3.3V) active operating current	I _{UADD}	90	110	mA	1

Notes:

1. See “Absolute Maximum Ratings” on page 66 for filter recommendations.
2. SOV_{DD} will be either +2.5V or +1.8V but not both.
3. The maximum current values listed above are not guaranteed to be the highest obtainable. These values are dependent on many factors including the type of applications running, clock rates, use of internal functional capabilities, external interface usage, case temperature, and the power supply voltages. Your specific application can produce significantly different results. V_{DD} (logic) current and power are primarily dependent on the applications running and the use of internal chip functions (DMA, PCI, Ethernet, and so on). OV_{DD} (I/O) current and power are primarily dependent on the capacitive loading, frequency, and utilization of the external buses.
4. Typical current is estimated at 667 MHz with V_{DD} = +1.5V, OV_{DD} = +3.3V, EOVD_{DD} = +2.5V, SOV_{DD} = +2.5V (DDR1) or +1.8V (DDR2), and T_C = +100°C with a typical process.
5. Maximum current is measured at 667 MHz with V_{DD} = +1.6V, OV_{DD} = +3.45V, EOVD_{DD} = +2.6V, SOV_{DD} = +2.6V (DDR1) or +1.9V (DDR2), and T_C = +100°C, and best-case process (which drives worst-case power).

Package Thermal Specifications

Table 16. Package Thermal Specifications

Thermal resistance values for the TE-EPBGA package in a convection environment at 6.3W are as follows:

Parameter	Symbol	Airflow						Unit	Notes
		0 (0)	100 (0.51)	200 (1.02)	300 (1.53)	400 (2.04)	500 (2.55)		
Junction-to-ambient thermal resistance without heat sink	θ_{JA}	13.1	11.7	10.9	10.5	10.3	10	°C/W	5
Junction-to-ambient thermal resistance with heat sink	θ_{JA}	11.1	8.2	7.2	6.8	6.6	6.3	°C/W	5, 6
		Resistance Value							
Junction-to-case thermal resistance	θ_{JC}	3.5						°C/W	5
Junction-to-board thermal resistance	θ_{JB}	7.3						°C/W	5

Notes:

1. Case temperature, T_C , is measured at top center of case surface with device soldered to circuit board.
2. $T_A = T_C - P \times \theta_{CA}$, where T_A is ambient temperature and P is power consumption.
3. $T_{CMax} = T_{JMax} - P \times \theta_{JC}$, where T_{JMax} is maximum junction temperature (+125°C) and P is power consumption.
4. The preceding equations assume that the chip is mounted on a board with at least one signal and two power planes.
5. Values in the table were achieved using a JEDEC standard board with the following characteristics: 114.5mm x 101.6mm x 1.6mm, 4 layers. The board has 100 thermal vias (same as the number of thermal balls on the TE-EPBGA package).
6. Values for an attached heat sink were achieved with a 35mm x 35mm x 15mm unit (see Thermal Management below), attached with a 0.1mm thickness of adhesive having a thermal conductivity of 1.3W/mK.

Heat Sink

The following heat sink was used in the above thermal analysis:
ALPHA LPD35-15B (35mm x 35mm x15mm)

The heat sink is manufactured by:
Alpha Novatech, Inc. (www.alphanovatech.com)
473 Sapena Court, #12
Santa Clara, CA 95054
Phone: 408-567-8082

Data Sheet

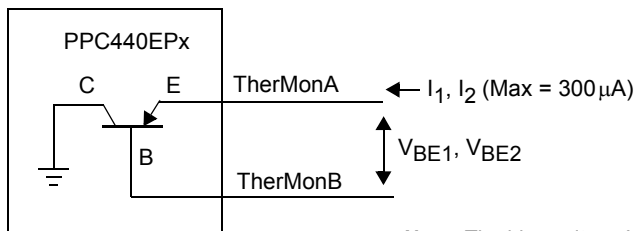
Thermal Monitor

Thermal monitoring of the chip is accomplished using the PNP transistor ($\beta \approx 2$) provided on the chip. The collector of the transistor is connected to ground (GND). The emitter (TherMonA) and base (TherMonB) are connected to chip pins. A voltage measurement (V_{BE1} and V_{BE2}) across the TherMonA and TherMonB pins at the two current values I_1 and I_2 provides the chip temperature in °K according to the equation:

$$T = (q/nk)(V_{BE2} - V_{BE1}) / \ln(I_2/I_1) \text{ °K} \quad \text{where } q = 1.602\,176\,53 \times 10^{-19}, n = 1.0 \pm 0.015, \text{ and } k = 1.380\,6505 \times 10^{-23}.$$

Note: V_{BE2} and V_{BE1} should be specified in Volts. I_1 and I_2 can be any units of measure provided they are the same. The small values require precision measurement and current sources.

The calculated on chip (ball to ball) series resistance for the PPC440EPx thermal monitor circuit is 2.0 ohms. The thermal sensor reflects the PPC440EPx junction temperature.



Note: The bias voltage V_{EB} should be between +0.5V and +0.7V.

Clocking Specification

Table 17. Clocking Specifications

Symbol	Parameter	Min	Max	Units	Notes
SysClk Input					
F_C	Frequency	33.33	66.66	MHz	1
T_C	Period	15	30	ns	
T_{CS}	Edge stability (cycle-to-cycle jitter)	–	± 0.15	ns	2
T_{CH}	High time	40% of nominal period	60% of nominal period	ns	
T_{CL}	Low time	40% of nominal period	60% of nominal period	ns	
Note: Input rising and falling edge slew rate ≥ 1 V/ns					3
TrcClk Output					
F_C	Frequency	CPU $F_C/4$	CPU $F_C/4$		
PLL VCO					
F_C	Frequency	600	1333.33	MHz	
T_C	Period	0.750	1.66	ns	
Processor (CPU) Clock					
F_C	Frequency	333.33	666.66	MHz	

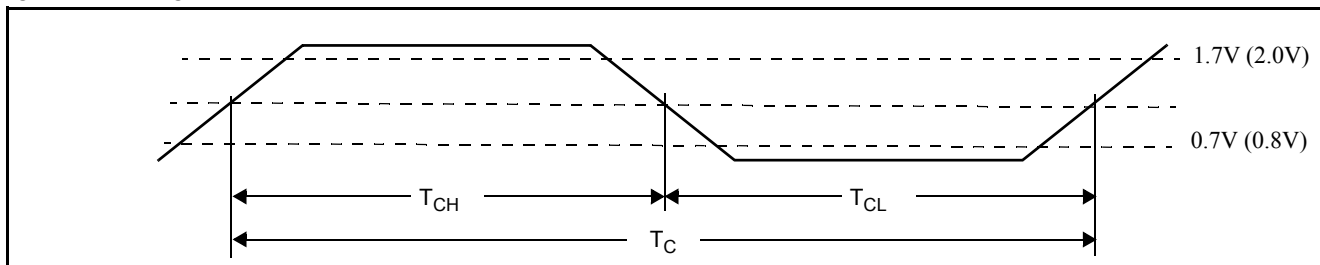
Table 17. Clocking Specifications (continued)

Symbol	Parameter	Min	Max	Units	Notes
T_C	Period	1.5	3	ns	
MemClkOut and PLB Clock					
F_C	Frequency	133.33	166.66	MHz	
T_C	Period	6	7.5	ns	
T_{CH}	High time	45% of nominal period	55% of nominal period	ns	
MAL Clock					
F_C	Frequency	45	83.33	MHz	
T_C	Period	12	22.2	ns	

Note:

1. SysClk supports spread spectrum clocking with a -1% down-spread and a 40 kHz or less modulation frequency. For a 33.33MHz minimum SysClk, the modulation frequency range of 33.00 MHz to 33.33 MHz is supported.
2. The maximum input cycle-to-cycle jitter is ± 100 ps within the frequency range 100 kHz to 20 MHz. Outside the frequency range of 100 kHz to 20 MHz, the maximum input cycle-to-cycle jitter is ± 150 ps.
3. Slew rate is measured between 0.7V and 1.7V.

Figure 5. Timing Waveform



Note: SysClk and GMCRefClk are 2.5V (3.3V tolerant). Slew rate should be measured between 0.7V and 1.7V.

Spread Spectrum Clocking

Care must be taken when using a spread spectrum clock generator (SSCG) with the PPC440EPx. This controller uses a PLL for clock generation inside the chip. The accuracy with which the PLL follows the SSCG is referred to as tracking skew. The PLL bandwidth and phase angle determine how much tracking skew there is between the SSCG and the PLL for a given frequency deviation and modulation frequency. When using an SSCG with the PPC440EPx the following conditions must be met:

- The frequency deviation must not violate the minimum clock cycle time. Therefore, when operating the PPC440EPx with one or more internal clocks at their maximum supported frequency, the SSCG can only lower the frequency.
- The maximum frequency deviation of SysClk cannot exceed -1%, and the modulation frequency cannot exceed 40kHz. In some cases, on-board PPC440EPx peripherals impose more stringent requirements.

Data Sheet**Notes:**

1. The serial port baud rates are synchronous to the modulated clock. The serial port has a tolerance of approximately 1.5% on baud rate before framing errors begin to occur. The 1.5% tolerance assumes that the connected device is running at precise baud rates.
2. Ethernet operation is unaffected.
3. IIC operation is unaffected.

Important: It is up to the system designer to ensure that any SSCG used with the PPC440EPx meets the above requirements and does not adversely affect other aspects of the system.

I/O Specifications

Table 18. Peripheral Interface Clock Timings (Sheet 1 of 3)

Parameter	Min	Max	Units	Notes
PCIClk frequency (asynchronous mode)	–	66.66	MHz	
PCIClk period (asynchronous mode)	15	–	ns	
PCIClk high time	40% of nominal period	60% of nominal period	ns	
PCIClk low time	40% of nominal period	60% of nominal period	ns	
GMCMDClk frequency	–	2.5	MHz	
GMCMDClk period	400	–	ns	
GMCMDClk high time	160	–	ns	
GMCMDClk low time	160	–	ns	
GMCTxCIk frequency MII	2.5	25	MHz	
GMCTxCIk period MII	40	400	ns	
GMCTxCIk high time	35% of nominal period	–	ns	
GMCTxCIk low time	35% of nominal period	–	ns	
GMCRxCIk frequency MII	2.5	25	MHz	
GMCRxCIk period MII	40	400	ns	
GMCRxCIk high time	35% of nominal period	–	ns	
GMCRxCIk low time	35% of nominal period	–	ns	
GMCRefClk frequency	–	125	MHz	
GMCRefClk period	8	–	ns	
GMCRefClk high time	40% of nominal period	60% of nominal period	ns	2
GMCRefClk low time	40% of nominal period	60% of nominal period	ns	2
GMCRefClk Edge Stability (cycle-to-cycle jitter)	–	±0.15	ns	2
GMCRefClk Slew Rate	2	–	V/ns	2

Table 18. Peripheral Interface Clock Timings (Sheet 2 of 3)

Parameter	Min	Max	Units	Notes
PerClk (and OPB Clock) frequency (for ext. master or sync. slaves)	33.33MHz	83.33	MHz	
PerClk period	12	30	ns	
PerClk high time	50% of nominal period	66% of nominal period	ns	
PerClk low time	33% of nominal period	50% of nominal period	ns	
UARTSerClk frequency	–	$1000 / (2T_{OPB}^1 + 2ns)$	MHz	1
UARTSerClk period	$2T_{OPB}^1 + 2$	–	ns	1
UARTSerClk high time	$T_{OPB}^1 + 1$	–	ns	1
UARTSerClk low time	$T_{OPB}^1 + 1$	–	ns	1
USB2Clk frequency	60	60	MHz	3
USB2Clk period	16.66	16.66	ns	3
USB2XtalIn/USB2XtalOut frequency	12	48	MHz	3
USB2XtalIn/USB2XtalOut period	20.8	83.33	ns	3
USB2XtalIn/USB2XtalOut high time	40% of nominal period	60% of nominal period	ns	
USB2XtalIn/USB2XtalOut low time	40% of nominal period	60% of nominal period	ns	

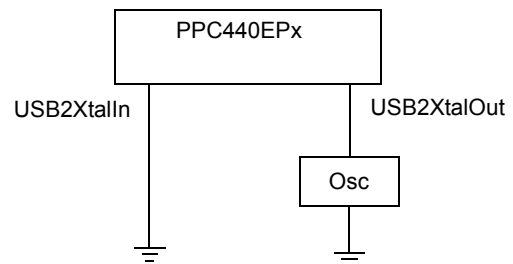
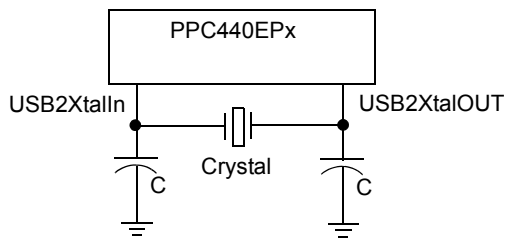
Data Sheet

Table 18. Peripheral Interface Clock Timings (Sheet 3 of 3)

Parameter	Min	Max	Units	Notes
TmrClk frequency	–	100	MHz	
TmrClk period	10	–	ns	
TmrClk high time	40% of nominal period	60% of nominal period	ns	
TmrClk low time	40% of nominal period	60% of nominal period	ns	

Notes:

1. T_{OPB} is the period in ns of the OPB clock. The internal OPB clock runs at 1/2 the frequency of the PLB clock. The maximum OPB clock frequency is 83 MHz.
2. An internal PLL improves this duty cycle to a worst case of 48% minimum, 52% maximum.
3. Crystals, external clocks, or external oscillators must have a maximum tolerance of ± 100 ppm and maximum jitter of ± 100 ps. Only a frequencies of 48MHz is allowed for oscillators; only a frequencies of 48MHz is allowed for crystals. Crystals and oscillators should be connected as shown below:



Crystal – Frequency: 48MHz
 Resonance mode: parallel
 C_O : 15–30pF
 ESR: 20-60 Ω
 Drive level: 50–500 μ W

$C = 2(C_L - C_{Stray})$ where

C_L is the load capacitance required by the crystal for oscillation

C_{Stray} is the board parasitic capacitance

Figure 6. Input Setup and Hold Waveform

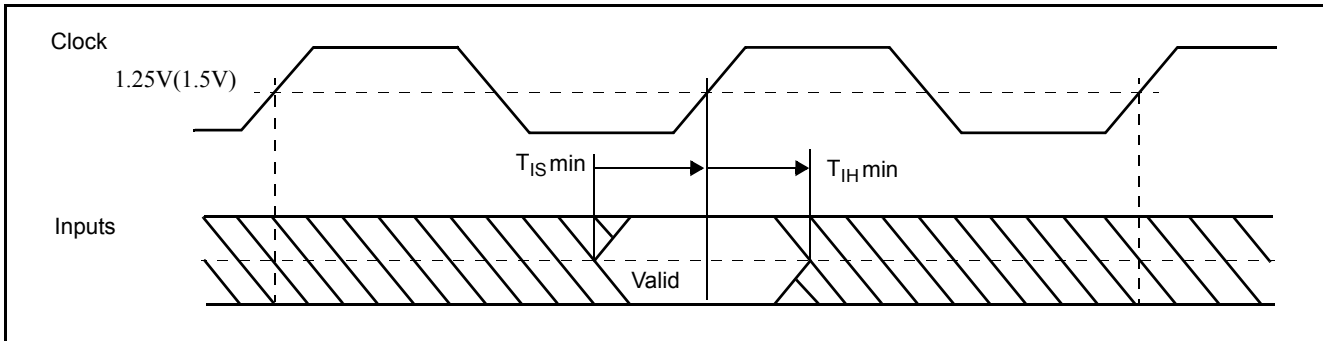


Figure 7. Output Delay and Float Timing Waveform

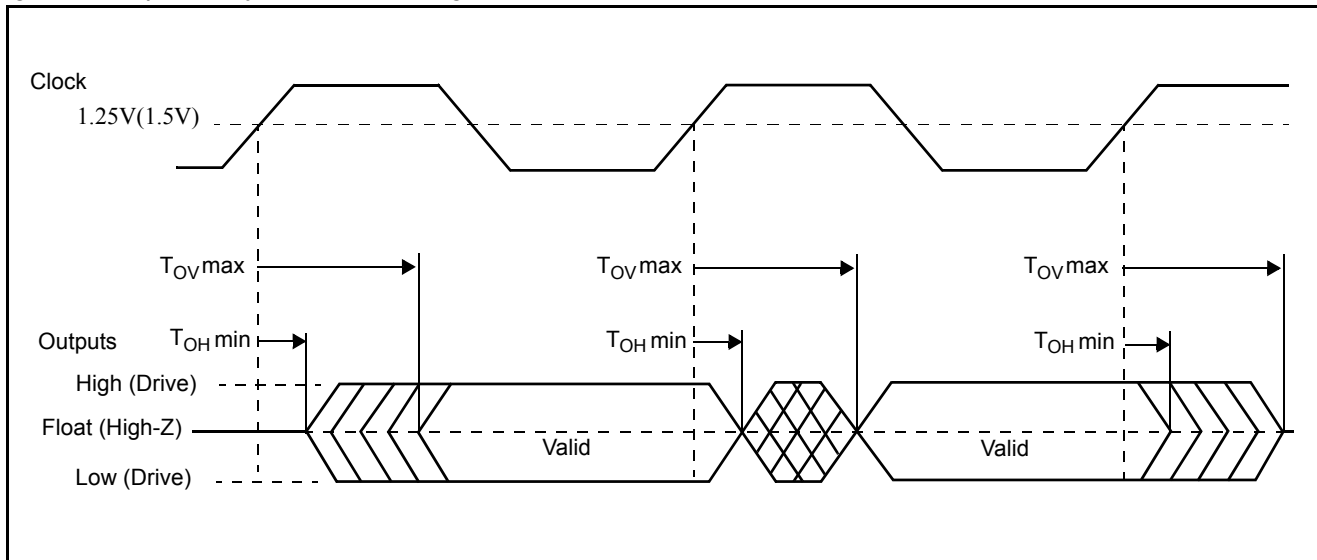


Figure 8. Setup and Hold Timing Waveforms for RGMII Signals

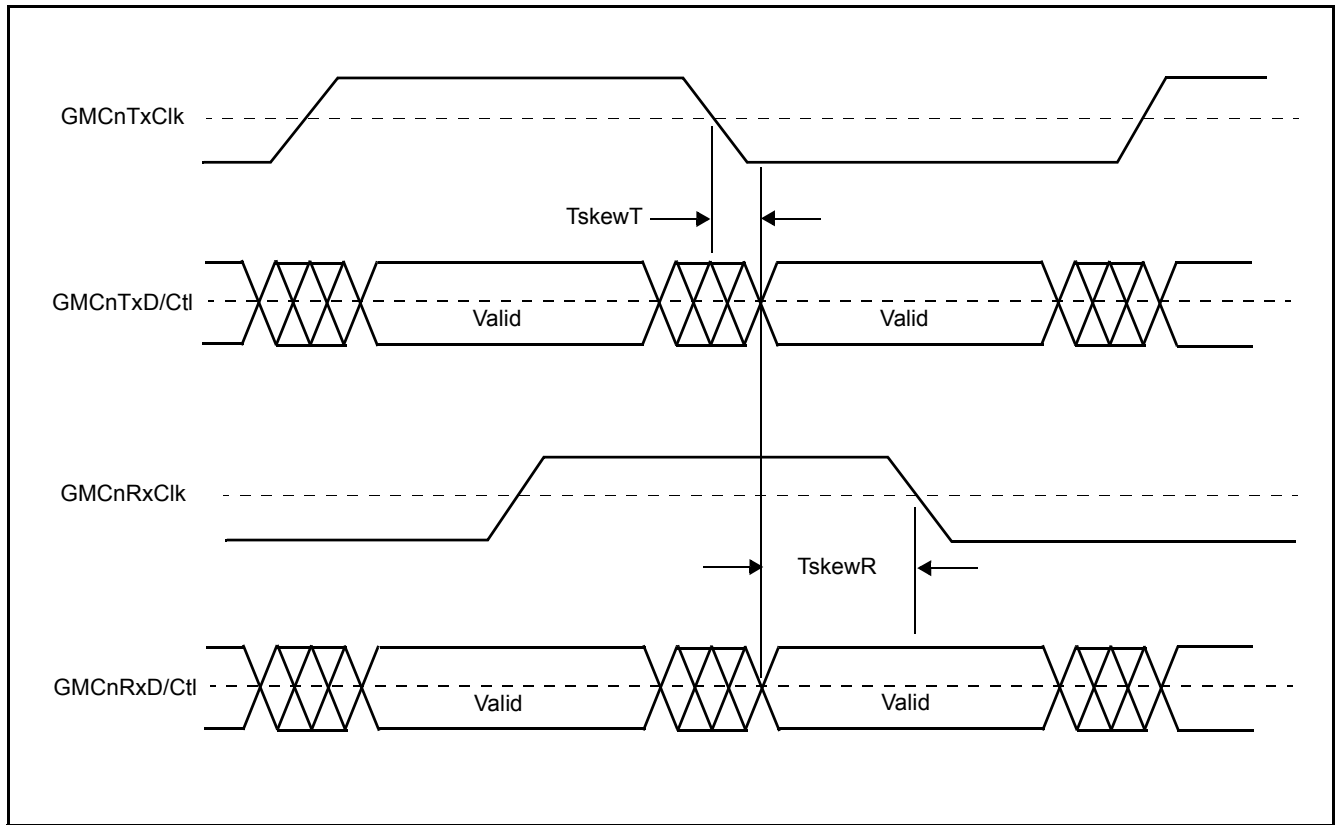


Table 19. RGMII I/O Timing

Signal	Input (ns)		Output (ns)		Output Current (mA)		Clock	Notes
	TskewR (min)	TskewR (max)	TskewT (min)	TskewT (max)	I/O H (min)	I/O L (min)		
GMcNRxCIk	–	–	–	–	n/a	n/a	–	
GMcNRxD0:3	1.0	2.8	n/a	n/a	n/a	n/a	GMcNRxCIk	1
GMcNRxCtl	1.0	2.8	n/a	n/a	n/a	n/a	GMcNRxCIk	1
GMcNtxCIk	v	–	–	–	5.1	6.8	–	
GMcNtxD0:3	n/a	n/a	-0.5	0.5	5.1	6.8	GMcNtxCIk	
GMcNtxCtl	n/a	n/a	-0.5	0.5	5.1	6.8	GMcNtxCIk	

Notes:

1. Assumes GMcNRxCIk is delayed either on the board or by the PHY to ensure adequate timing margin.

Table 20. I/O Specifications—PCI, USB, UART, IIC, SPI, Ethernet, System and Debug Interfaces (Sheet 1 of 3)

Notes:

1. Ethernet interface meets timing requirements as defined by IEEE 802.3 standard.
2. SMII Sync is a weak driver. Redrive SMII Sync when driving more than one load.
3. TDO timing is referenced to the falling edge of TCK.

Signal	Input (ns)		Output (ns)		Output Current (mA)		Clock	Notes
	Setup Time (T _{IS} min)	Hold Time (T _{IH} min)	Valid Delay (T _{OV} max)	Hold Time (T _{OH} min)	I/O H (minimum)	I/O L (minimum)		
PCI Interface								
PCIAD31:00	3	0	6	2	0.5	1.5	PCIClk	
PCIC3:0/BE3:0	3	0	6	2	0.5	1.5	PCIClk	
PCIDevSel	5	0	6	2	0.5	1.5	PCIClk	
PCIFrame	5	0	6	2	0.5	1.5	PCIClk	
PCIGnt0:5			6	2	0.5	1.5	PCIClk	
PCIIDSel	5	0			n/a	n/a	PCIClk	
PCIINT					0.5	1.5		async
PCIIRDY	5	0	6	2	0.5	1.5	PCIClk	
PCIPar	5	0	6	2	0.5	1.5	PCIClk	
PCIPErr	5	0	6	2	0.5	1.5	PCIClk	
PCIREq0:5	5	0			n/a	n/a	PCIClk	
PCIReset					n/a	n/a		async
PCISErr	5	0	6	2	0.5	1.5	PCIClk	
PCIStop	5	0	6	2	0.5	1.5	PCIClk	
PCITRDY	5	0	6	2	0.5	1.5	PCIClk	
Ethernet MII Interface								
GMCCD					5.1	6.8		async
GMCCrS					5.1	6.8		async
GMCMDCIk					5.1	6.8		
GMCMDIO					5.1	6.8	GMCMDCIk	1
GMCRxCIk					n/a	n/a		
GMCRxD0:3	10	10			5.1	6.8	GMCRxCIk	
GMCTxD0:3			10	1	5.1	6.8	GMCTxCIk	
GMCRxDV	10	10			5.1	6.8	GMCRxCIk	
GMCRxEr	10	10			5.1	6.8	GMCRxCIk	
GMCTxCIk					n/a	n/a		
GMCTxEr			10	1	5.1	6.8	GMCTxCIk	
GMCTxEn			10	1	5.1	6.8	GMCTxCIk	
Ethernet GMII Interface								
GMCCD					5.1	6.8		async
GMCCrS					5.1	6.8		async
GMCGTxCIk					5.1	6.8		
GMCMDCIk					5.1	6.8		
GMCMDIO					5.1	6.8	GMCMDCIk	1
GMCRxCIk					5.1	6.8		
GMCRxD0:3	2	0			5.1	6.8	GMCRxCIk	
GMCTxD0:3			2.5	1	5.1	6.8	GMCGTxCIk	
GMCRxDV	2	0			5.1	6.8	GMCRxCIk	
GMCRxEr	2	0			5.1	6.8	GMCRxCIk	
GMCTxEr			2.5	1	5.1	6.8	GMCGTxCIk	
GMCTxEn			2.5	1	5.1	6.8	GMCGTxCIk	

Data Sheet

Table 20. I/O Specifications—PCI, USB, UART, IIC, SPI, Ethernet, System and Debug Interfaces (Sheet 2 of 3)

Notes:

1. Ethernet interface meets timing requirements as defined by IEEE 802.3 standard.
2. SMII Sync is a weak driver. Redrive SMII Sync when driving more than one load.
3. TDO timing is referenced to the falling edge of TCK.

Signal	Input (ns)		Output (ns)		Output Current (mA)		Clock	Notes
	Setup Time (T _{IS} min)	Hold Time (T _{IH} min)	Valid Delay (T _{OV} max)	Hold Time (T _{OH} min)	I/O H (minimum)	I/O L (minimum)		
Ethernet SMII Interface								
SMII Sync			3	1	5.1	6.8	SMIIRefClk	2
SMII0RxD	1.5	1			5.1	6.8	SMIIRefClk	
SMII1RxD	1.5	1			5.1	6.8	SMIIRefClk	
SMII0TxD			3	1	5.1	6.8	SMIIRefClk	
SMII1TxD			3	1	5.1	6.8	SMIIRefClk	
Internal Peripheral Interface								
IIC0SClk					n/a	12.8		
IIC0SData			5	0	n/a	12.8	IIC0SClk	
IIC1SClk					n/a	12.8		
IIC1SData			5	0	n/a	12.8	IIC1SClk	
SCPClkOut					n/a	12.8		
SCPDI	5	1.5			n/a	12.8	SCPClkOut	
SCPDO			6	0	n/a	10.2	SCPClkOut	
UARTn_Rx					n/a	n/a		async
UARTn_Tx					19.1	8.7		async
UARTn_DCD					n/a	n/a		async
UARTn_DSR					n/a	n/a		async
UARTn_CTS					n/a	n/a		async
UARTn_DTR					19.1	8.7		async
UARTn_RI					n/a	n/a		async
UARTn_RTS					19.1	8.7		async
USB2Xcvr					USB 2.0	USB 2.0		
USB2Xcvr					USB 2.0	USB 2.0		
USB2DI0:7	4	0			14.6	6.6	USB2Clk	
USB2DO0:7			4	1	14.6	6.6	USB2Clk	
USB2LS0:1	4	0			n/a	n/a	USB2Clk	
USB2OM0:1			4	1	19.1	8.7	USB2Clk	
USB2RxAct	4	0			n/a	n/a	USB2Clk	
USB2RxDV			4	1	n/a	n/a	USB2Clk	
USB2RxErr			4	1	19.1	8.7	USB2Clk	
USB2Susp			4	1	19.1	8.7	USB2Clk	
USB2TermSel			4	1	19.1	8.7	USB2Clk	
USB2TxRdy	4	0			n/a	n/a	USB2Clk	
USB2TxVal			4	1	19.1	8.7	USB2Clk	
USB2XcvrSel			4	1	19.1	8.7	USB2Clk	
Interrupts Interface								
IRQ0:9					n/a	n/a		
JTAG Interface								
TCK					n/a	n/a	40MHz	Max
TDI	2	5.5			n/a	n/a	TCK	
TDO			9.5	1	n/a	n/a	TCK	3
TMS	2	5.5			n/a	n/a	TCK	
TRST					n/a	n/a		async

Table 20. I/O Specifications—PCI, USB, UART, IIC, SPI, Ethernet, System and Debug Interfaces (Sheet 3 of 3)

Notes:

1. Ethernet interface meets timing requirements as defined by IEEE 802.3 standard.
2. SMIIISync is a weak driver. Redrive SMIIISync when driving more than one load.
3. TDO timing is referenced to the falling edge of TCK.

Signal	Input (ns)		Output (ns)		Output Current (mA)		Clock	Notes
	Setup Time (T _{IS} min)	Hold Time (T _{IH} min)	Valid Delay (T _{OV} max)	Hold Time (T _{OH} min)	I/O H (minimum)	I/O L (minimum)		
System Interface								
SysReset					n/a	n/a		async
Halt					n/a	n/a		async
SysErr					5.1	6.8		async
GPIO00:11					19.1	8.7		async
GPIO12:25					5.1	6.8		async
GPIO26:48					14.6	6.6		async
GPIO49:63					5.1	6.8		async
Trace Interface								
TrcClk					5.1	6.8		
TrcBS0:2					5.1	6.8	TrcClk	
TrcES0:4					5.1	6.8	TrcClk	
TrcTS0:6					5.1	6.8	TrcClk	

Data Sheet

Table 21. I/O Specifications—EBC, EBMI, DMA and NAND Flash Interfaces

Notes:

1. PerClk rising edge at package pin with a 10pF load trails the internal PLB clock by approximately 1.3ns.

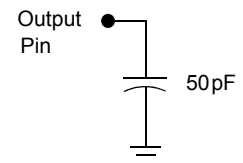
Signal	Input (ns)		Output (ns)		Output Current (mA)		Clock	Notes
	Setup Time (T _{IS} min)	Hold Time (T _{IH} min)	Valid Delay (T _{OV} max)	Hold Time (T _{OH} min)	I/O H (minimum)	I/O L (minimum)		
External Slave Peripheral Interface								
DMAAck0:3			6	1	19.1	8.7	PerClk	
DMAReq0:3	4	1			n/a	n/a	PerClk	
EOT0:3/TC0:3	4	1	6	1	19.1	8.7	PerClk	
PerAddr02:31	4	1	6	1	19.1	8.7	PerClk	
PerBLast	4	1	6	1	19.1	8.7	PerClk	
PerCS0:5			6	1	19.1	8.7	PerClk	
PerData00:15	4	1	6	1	19.1	8.7	PerClk	
PerData16:31	4	1	6	1	14.6	6.6	PerClk	
PerOE			6	1	19.1	8.7	PerClk	
PerReady	4	1			19.1	8.7	PerClk	
PerR/W	4	1	6	1	19.1	8.7	PerClk	
PerWBE0:1	4	1	6	1	19.1	8.7	PerClk	
External Master Peripheral Interface								
BusReq			6	1	19.1	8.7	PerClk	
ExtAck			6	1	19.1	8.7	PerClk	
ExtReq	4	1			19.1	8.7	PerClk	
ExtReset			6	1	19.1	8.7	PerClk	
HoldAck			6	1	19.1	8.7	PerClk	
HoldReq	4	1			n/a	n/a	PerClk	
HoldPri	4	1			n/a	n/a	PerClk	
PerClk					19.1	8.7	PLB Clk	1
PerErr	4	1			n/a	n/a	PerClk	
NAND Flash Interface								
NFALE			6	1	19.1	8.7	PerClk	
NFCE0:3			6	1	19.1	8.7	PerClk	
NFCLE			6	1	19.1	8.7	PerClk	
NFRdyBusy	4	1			n/a	n/a	PerClk	
NFREn			6	1	19.1	8.7	PerClk	
NFWEn			6	1	19.1	8.7	PerClk	

Table 22. Input Capacitance

Parameter	Symbol	Maximum	Unit	Notes
2.5V/1.8V DDR	C_{IN1}	2.9	pF	
3.3V LVTTTL	C_{IN2}	2.1	pF	
PCI	C_{IN3}	2.5	pF	
3.3V tolerant CMOS	C_{IN5}	2.4	pF	
USB	C_{IN6}	3.0	pF	

Test Conditions

Clock timing and switching characteristics are specified in accordance with operating conditions shown in *Table 10* on page 66. AC specifications are characterized with $V_{DD} = +1.5V$, $T_C = +85^\circ C$ and a 50pF test load as shown in the figure to the right.



DDR2/1 SDRAM I/O Specifications

The DDR2/1 SDRAM controller times its operation using the internal PLB clock signal and generates MemClkOut from the PLB clock. The PLB clock is an internal signal that cannot be directly observed. However, MemClkOut is the same frequency as the PLB clock signal and is in phase with the PLB clock signal. The phase skew between MemClkOut and the PLB clock is affected by the loading on MemClkOut.

Read capture logic in the DDR controller captures read data using a delayed version of DQS and internally re-synchronizes the data to the PLB clock. The PPC440EPx contains three independently programmable digital delay lines (DLLs) that control the timing of the indicated signals in read and write operations:

1. DQS (with respect to MemClkOut) for write operations.
2. MemData, ECC, and DM (with respect to MemClkOut) for write operations.
3. DQS (with respect to inbound MemData) for read operations.

There is also a master delay line for calibration. Programming details can be found in the *PPC440EPx Embedded Processor Users Manual*.

The signals are terminated as indicated in *Figure 9* for the DDR timing data in the following sections.

The PPC440EPx uses a clock forwarding scheme in which it drives the clock to the memory devices.

Data signals are divided into eight subgroups—one for each byte lane (see *Table 27* on page 89)—plus a ninth subgroup for the ECC byte lane. These signals include MemData00:63, DQS0:8, DM0:8, and ECC0:7 signals. Signals within a data subgroup (byte lane) should be routed together.

Command Bus Operation

The command bus ($\overline{\text{MemAddr}}$, $\overline{\text{RAS}}$, $\overline{\text{CAS}}$, $\overline{\text{WE}}$, BA, ClkEn, BankSel, MemODT) is driven 180° out-of-phase with MemClkOut, and has no corresponding delay line. Therefore, board designers must consider two different types of systems: 1) registered DIMMs and 2) unbuffered DIMMs. The system clocking design must also be considered. To avoid crosstalk, the command bus signals and the data signals should not be routed together.

Data Sheet

Board Layout Restrictions

The paths (traces) for the data and the associated data strobe signal should be routed with the same length between the PPC440EPx and the SDRAM devices, allowing the rising and falling edges of the strobe to arrive at the capture logic at the same time the data is in transition. All of the following timing assumes a trace velocity of 167ps/in.

Board designs must meet the following criteria:

- Skew on the signals in any byte lane should not exceed 50ps (0.3 in).
- Data subgroup trace lengths must be no more than 5in. (800ps) and have a difference of no more than 2.5in. (400ps).
- Byte lane subgroup trace length must be no less than 1.25 in. (209ps).

For example, traces that average 3.00in. in length and 167ps/in., and meet the maximum 50ps skew requirement, would have a maximum length difference of 0.3in. So, they would be between 2.85in. and 3.15in. in length.

If the above timing recommendations are followed, the package wire bond lengths can be ignored.

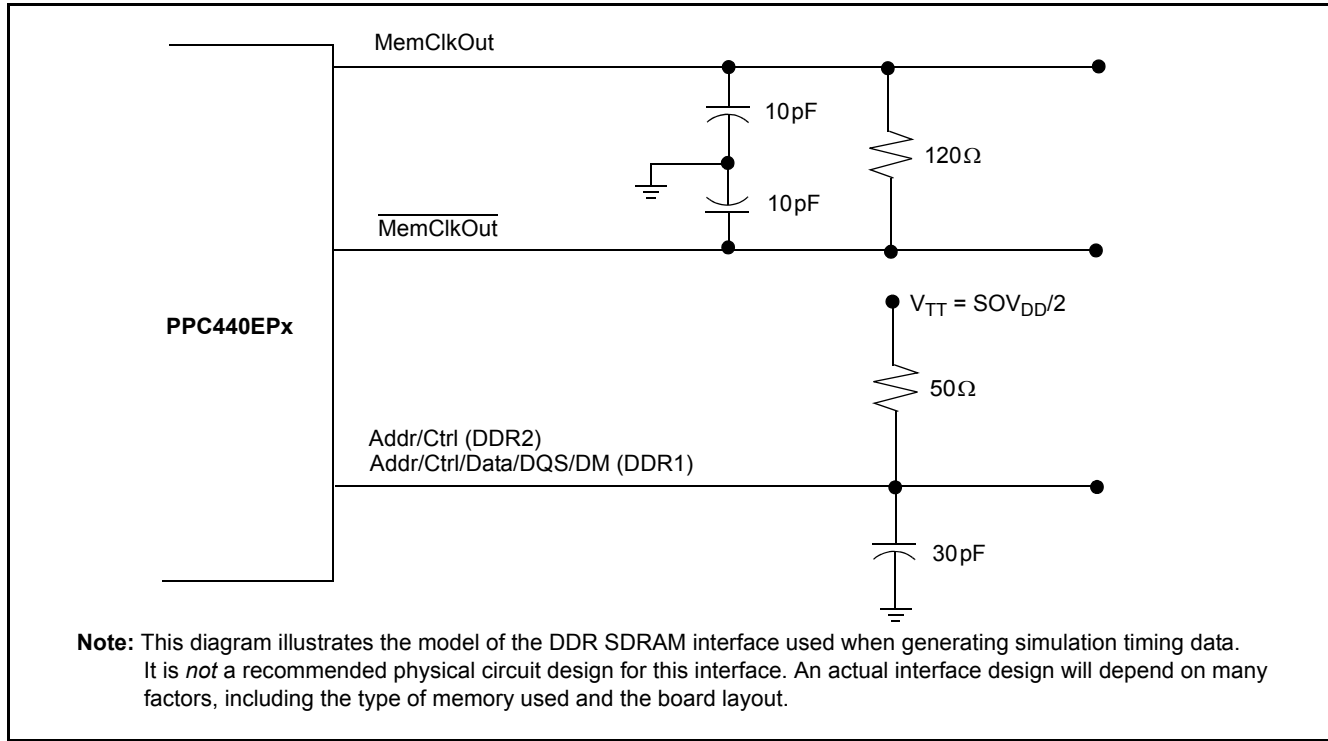
Clocking

Clocking skew to all DRAMs must be minimized. The maximum allowed is considered to be 10ps. Because of the stringent requirements on DDR device clock inputs, it is expected that board designers will use some type of external PLL suitable to redrive the clock to the DDR SDRAMs. In such a system, the PLL acts like a zero-delay insertion buffer.

When using unbuffered DIMMS, the loading on the address bus will be considerably greater than the clock (up to 18 loads for double-sided DIMMs). In this case, it is strongly suggested that a delay of 500ps in the clock path so that the Address/Command setup time at the DIMMs can be met. This delay is sufficient to meet the setup time, without having to change the programmable delay (internal to the PPC440EPx) between the DQS/DQ/DM and the clock (assuming nominal settings as specified in the PPC440EPx Users Manual). While the clock is now 500ps later than the nominal DQS arrival time, this still falls well within the window allowed by the JEDEC spec for T_{DQSS} (± 0.25 cycle, or 1.5ns at 166MHz). In the case where it is not possible to anticipate which kind of DIMMs may be employed in a system, it is always safe to use this 500ps clock delay, since registered DIMMs (the least heavily loaded) will have more than enough margin (almost 1/2 cycle) to accommodate the slight decrease in address hold time.

Termination Model

Figure 9. DDR SDRAM Simulation Signal Termination Model



DDR2 SDRAM On-Die Termination Impedance Setting

For all DDR2 applications, the On-Die Termination (ODT) impedance value *must* be set to 75 ohms in the DIMM Extended Mode Register (EMR) in order to optimize the data transmission during memory write operations.

Table 23. DDR SDRAM Output Driver Specifications

Signal Path	Output Current (mA)	
	I/O H (maximum)	I/O L (maximum)
Write Data		
MemData00:63	10	10
ECC0:7	10	10
DM0:8	10	10
MemClkOut	10	10
MemAddr00:13	10	10
BA0:2	10	10
RAS	10	10
CAS	10	10
WE	10	10
BankSel0:1	10	10
ClkEn	10	10
DQS0:8	10	10
MemODT0:1	10	10

Data Sheet**DDR SDRAM Write Operation**

The rising edge of MemClkOut aligns with the first rising edge of the DQS signal on writes. The following data is generated by means of simulation and includes logic, driver, package RLC, and lengths. Values are calculated over best case and worst case processes with speed, junction temperature, and voltage as follows:

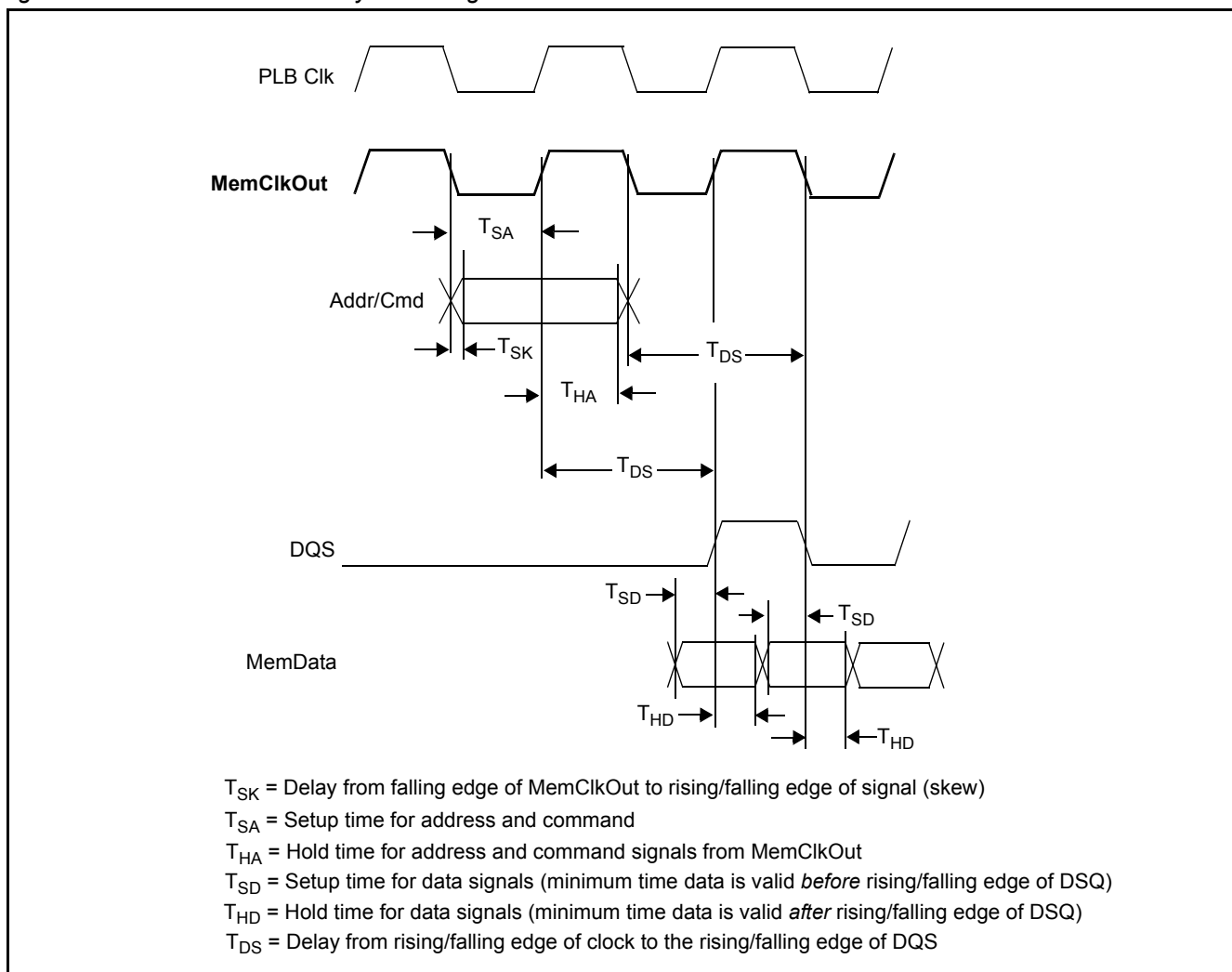
Table 24. DDR SDRAM Write Operation Conditions

Case	Process Speed	Junction Temperature (°C)	Voltage (V)
Best	Fast	-40	+1.6
Worst	Slow	+125	+1.425

Note: In the following tables and timing diagrams, minimum values are measured under best case conditions and maximum values are measured under worst case conditions. The timing numbers in the following sections are obtained using a simulation that assumes a model as shown in Figure 9.

The following diagram illustrates the relationship among the signals involved with a DDR write operation.

Figure 10. DDR SDRAM Write Cycle Timing



Note: The timing data in the following tables is based on simulation runs using Einstimer.

Table 25. I/O Timing—DDR SDRAM T_{DS}

Notes:

1. All of the DQS signals are referenced to MemClkOut with the DQS delay line programmed to 1 cycle.
2. Clock speed is 166MHz.

Signal Name	T_{DS} (ns)	
	Minimum	Maximum
DQS0	-0.030	+0.650
DQS1	-0.030	+0.620
DQS2	-0.050	+0.580
DQS3	-0.110	+0.480
DQS4	-0.140	+0.410
DQS5	-0.120	+0.480
DQS6	-0.060	+0.580
DQS7	-0.010	+0.690
DQS8	-0.140	+0.420

Table 26. I/O Timing—DDR SDRAM T_{SK} , T_{SA} , and T_{HA}

Notes:

1. Clock speed is 166MHz. T_{SK} is referenced to MemClkOut falling edge. T_{SA} and T_{HA} are referenced to MemClkOut rising edge.
2. The timing in this table assumes a single registered DIMM load on the outputs. To adjust the timing for unbuffered DIMMs, use the following values by subtracting them from T_{SA} and adding them to T_{SK} and T_{HA} :
 - 5 loads adjust by 0.41 ns
 - 9 loads adjust by 1.12 ns
 - 18 loads adjust by 2.12 ns
3. To obtain adjusted T_{SA} values for lower clock frequencies, use 1/2 of the cycle time for the lower clock frequency and subtract T_{SK} maximum ($0.5T_{CYC} - T_{SKmax}$).
4. To obtain adjusted T_{HA} values for lower clock frequencies, use 1/2 of the cycle time for the lower clock frequency and add T_{SK} minimum ($0.5T_{CYC} + T_{SKmin}$).

Signal Name	T_{SK} (ns)		T_{SA} (ns)	T_{HA} (ns)
	Minimum	Maximum	Minimum	Minimum
MemAddr00:13	-0.960	-0.270	3.27	2.04
BA0:2				
BankSel0:1				
ClkEn				
CAS				
RAS				
WE				

Data SheetTable 27. I/O Timing—DDR SDRAM T_{SD} and T_{HD} **Notes:**

1. T_{SD} and T_{HD} are measured under worst case conditions.
2. Clock speed for the values in the table is 166MHz.
3. The time values in the table include 1/4 of a cycle at 166MHz (6ns x 0.25 = 1.5 ns).
4. To obtain adjusted T_{SD} and T_{HD} values for lower clock frequencies, subtract 1.5 ns from the values in the table and add 1/4 of the cycle time for the lower clock frequency (for example, $T_{SD} - 1.5 + 0.25T_{CYC}$).

Signal Names	Reference Signal	T_{SD} (ns)	T_{HD} (ns)
MemData00:07, DM0	DQS0	1.37	1.23
MemData08:15, DM1	DQS1	1.41	1.18
MemData16:23, DM2	DQS2	1.40	1.17
MemData24:31, DM3	DQS3	1.41	1.20
MemData32:39, DM4	DQS4	1.45	1.18
MemData40:47, DM5	DQS5	1.40	1.18
MemData48:55, DM6	DQS6	1.46	1.17
MemData56:63, DM7	DQS7	1.45	1.10
ECC0:7, DM8	DQS8	1.46	1.18

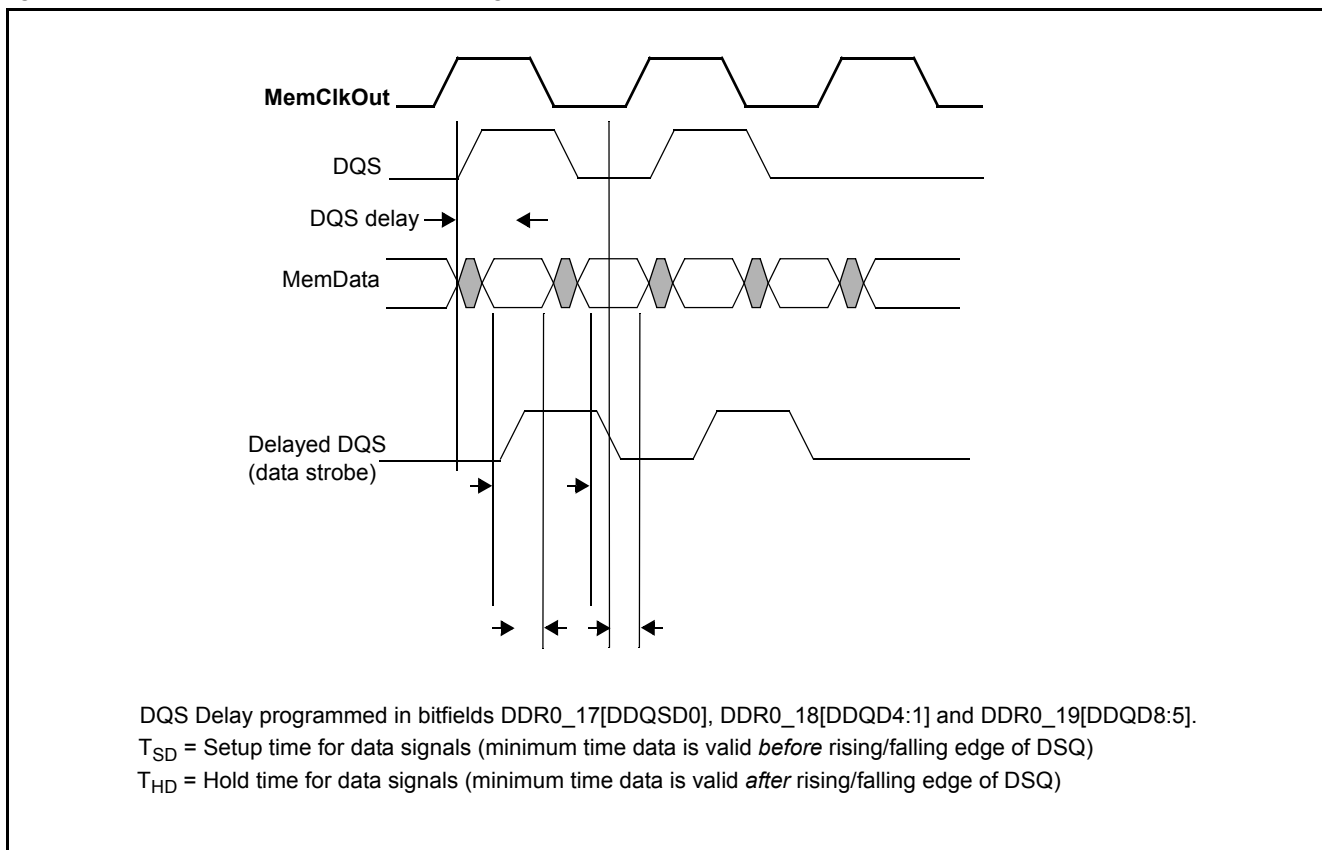
DDR SDRAM Read Operation

The read data capture logic is responsible for capturing the data outputs from the SDRAM devices and passing the data back to the system clock domain. The data strobe signal (DQS) signals used to capture data are delayed to ensure that the rising and falling edges of these strobes are in the middle of the valid window of data.

DDR devices send a DQS coincident with the read data so that the data can be reliably captured by the PPC440EPx. The edges of these strobe signals are aligned with the data output by the SDRAM devices.

In order to reliably latch the data into a synchronizing FIFO, the PPC440EPx produces an internal, delayed version of DQS. The amount of delay is user programmable. In the example shown in *Figure*, the delay is set to approximately 25% of the system clock. A delay compensation circuit in the PPC440EPx keeps this delay constant.

Figure 11. DDR SDRAM DQS Read Timing



Data SheetTable 28. Read I/O Timing—DDR SDRAM T_{SD} and T_{HD} **Notes:**

T_{SD} and T_{HD} are measured under worst case conditions.

Signal Names	Reference Signal	T_{SD} (ns)	T_{HD} (ns)
MemData00:07, DM0	DQS0	0.650	0.500
MemData08:15, DM1	DQS1	0.650	0.510
MemData16:23, DM2	DQS2	0.670	0.530
MemData24:31, DM3	DQS3	0.680	0.540
MemData32:39, DM4	DQS4	0.710	0.510
MemData40:47, DM5	DQS5	0.640	0.430
MemData48:55, DM6	DQS6	0.640	0.430
MemData56:63, DM7	DQS7	0.560	0.390
ECC0:7, DM8	DQS8	0.720	0.520

Boot Configuration

The PPC440EPx supports several configurable boot parameters that must be initialized prior to booting. These parameters are configured by one of several default boot options or programmed by data read from an IIC serial EEPROM (see “Serial EEPROM” below). Strap signals sampled during reset select which method is used to initialize the boot parameters (see “Strapping” below).

Strapping

The Bootstrap Controller selects the boot options based on the state of the strap signals during reset. The strap signals are sampled on the rising edge of SysClk while SysReset is driven low. They must not change state until after SysReset is driven high in order to guarantee the correct boot option is selected.

These pins are used for strap functions only during reset. Following reset, they are used as UART signals. The UART signal names are shown in parentheses following the pin number.

Note: To isolate the strapping pins, the $\overline{\text{ExtReset}}$ signal may be used as a buffer enable or multiplexer select.

The following table lists the strapping pins along with their functions and boot strap options:

Table 29. Strapping Pin Assignments

Function	Option	Pin Strapping		
		C28 (UART0_DCD)	C29 (UART0_DSR)	A29 (UART0_CTS)
Serial device is disabled. Each of the six options (A–F) is a combination of boot source, boot-source width, and clock frequency specifications. Refer to the IIC Bootstrap Controller chapter in the <i>PPC440EPx Embedded Processor User's Manual</i> for details.	A ¹	0	0	0
	B ¹	0	0	1
	C	0	1	0
	D ¹	0	1	1
	E ¹	1	0	0
	F	1	1	0
Serial device is enabled. Boot Option G and H enable the Bootstrap Controller to program boot parameters using data read from an IIC serial EEPROM. Option G and H support different IIC addresses. Option G - Address 0xA8 is left justified (0x1010100 + R/W bit). Option H - Address 0xA4 is left justified (0x1010010 + R/W bit).	G (0xA8)	1	0	1
	H (0xA4)	1	1	1

1. Bootstrap options A, B, D, and E result in a PLL Forward Divisor B setting such that Forward Divisor B output frequency exceeds the CPU clock frequency. Following a power up, system reset or chip reset (when CPR0_ICFG[RLI] = 0), FWDVB and PRBDV0 must be re-programmed as documented in the *PowerPC 440EPx/GRx Embedded Processor User's Manual* in the Bootstrap Options section. The dividers must be re-programmed before the DDR is tuned such that the output of PLL Forward Divisor B does not exceed the CPU clock frequency.

Serial EEPROM

Boot Options G and H enable the Bootstrap Controller to read 16 bytes of configuration data from a serial EEPROM attached to the IIC0 bus after SysReset de-asserts. The Bootstrap Controller stores the data in the SDR0_SDSTP0:3 registers.

Note: The IIC serial EEPROM must have a one-byte base address. Multi-byte base addresses are not supported.

The initialization settings and their default values are covered in detail in the *PowerPC 440EPx/GRx Embedded Processor User's Manual*.

Data Sheet**Revision Log**

Date	Version	Contents of Modification
06/01/2005		Initial creation of document.
06/03/2005		Add "Preliminary—Subject to Change" watermark.
07/06/2005		Change maximum NAND Flash to 256MB.
08/29/2005		Update with signal-to-pin assignment and I/O circuit type specifications.
09/12/2005		Replace existing DDR SDRAM information with new DDR2 SDRAM information.
10/03/2005		Implement updates from the 09/12 review.
10/05/2005		Misc. updates.
11/14/2005	1.07	Correct MemClkOut duty cycle. Correct description and move PerErr signal from master to slave. Change maximum VCO frequency to 1334MHz.
03/01/2006	1.08	Update corporate address and copyright date Update available Ethernet interface configurations (no RMII).
03/15/2006	1.09	Add four peripheral data parity signals. Change multiplexing of six GPIO signals. Update DDR2 SDRAM data. Adjust all other I/O timing.
04/05/2006	1.10	Misc. updates. Remove Confidential status. Correct OPB bridge information.
04/24/2006	1.11	Misc. updates. Correct security function designation. Add new power and current values.
05/12/2006	1.12	Misc. updates. Remove data for 333MHz CPU speed. Change all GPIOxx signals from alternate to primary. Change UART designations to eliminate letter designations B, C, D.
05/15/2006	1.13	Misc. updates.
05/30/2006	1.14	Correct list containing balls by ball number. Update power and temperature data. Add clocking information. Update EEPROM.
07/12/2006	1.15	Memory address corrections.
07/19/2006	1.16	Change and delete incorrect MemClkEn references. Correct enable/disable specifications for PCI Gnt/Req signals.
11/02/2006	1.17	Change USB2Rext pull-down from 2.4k Ω to 3.4k Ω Change analog voltage filter circuit inductor part number. Switch multiplex defaults for PerData16:31 from the USB signals to the PerData signals. Correct I/O designation for some Ethernet signals. Add thermal monitor information. Provide corrected and additional information on USB crystal/oscillator inputs. Remove leaded PNs.

Date	Version	Contents of Modification
12/28/2006	1.18	Indicate that two USB analog voltages are needed with separate filters. Correct descriptions of LeakTest, RcvrInh, ModeCtrl, RefEn, and DrvrInh1:2 signals. Add information concerning address bus loading on DDR SDRAMs. Additions to information on USB crystal/oscillator inputs. Restore leaded PNs.
01/10/2007	1.19	Update DDR2/1 SDRAM timing and board design data.
02/01/2007	1.20	Update power data. Change V_{IL} .
03/12/2007	1.21	Change Typical Power on first page. Change V_{IL} back to what it was. Update package drawing with another view.
04/23/2007	1.22	Remove all valid USB oscillator and crystal frequencies except 48MHz.
07/18/2007	1.23	Added more information to the Thermal Monitor section.
08/06/2007	1.24	Changes to Figure 3.
08/24/2007	1.25	Added Assembly Recommendations, added Tables 3 and 4. Added recommendations for Unused I/O. Updated signal description in table 7 for signals SPCClkOUT, SCPDI, SCPDO, LeakTest and LeakTest2. Updated Table 19 to include reference clocks. Removed all references to TBI and RTBI as these modes are not supported due to errata: Chip_4 and Chip_5. Added voltage reference to Figures 4, 5, and 6 Corrected I/O comments for UART and Ethernet signals in Table 6. Removed Note 2 from Table 7 and added section on Analog Voltage Filter Added Figure and Table for Overshoot and Undershoot. Added section on Power Sequencing. Added slew rate and jitter requirements for GMCTxClk in Table 20. Added note in Strapping section Changed GPIO26[IIC0SData] to [GPIO26]IIC0SData. Added figures showing setup, hold, output valid and output hold timing for RGMII signals.
10/15/2007	1.26	Corrected telephone numbers on the last page. Corrected RGMII timing relative to GMCTxClk in table 21. Pull up recommendations to Table 9 for PCI signals.
01/07/2008	1.27	Correction to table 19 "GMCTxClk Period" unit column, changed MHz to ns. Corrected DC Overshoot in Overshoot. Added note for SMIISync signal to I/O Specification table. Added timing references to I/O Specification tables. Added an unused termination recommendation for Ethernet interfaces. Added TrcClk supported range to Clock Specification table. Remove tape and reel as a shipping option. Corrected GMCTxClk entry in Table 8 to indicate that it is an input.
03/18/2008	1.28	Replaced 16750 compatible UART to 16550 Replaced NS16750 with NS16550. Updated the DrvrInh1:2. Updated the Analog Voltage Filter from SAV_{DD} to EAV_{DD} and SAGND to EAGND Updated the RejectPkt0:1 note in table 8. Update to table 6 signals list: F02, AB33, and AL27
07/22/2008	1.29	Add JTAG timing specification to Table 20.

Data Sheet

Date	Version	Contents of Modification
02/27/2009	1.30	<p>Doc Issue 5025: Added C value to filter AVdd circuit on page 68.</p> <p>Doc Issue 5172: Replaced Figure 8 with new RGMII timing figure. Removed former Figure 9. Added new Table 20 with RGMII I/O Timing data. Removed RGMII timing data from former Table 20 (is now Table 21).</p> <p>Doc Issue 5437: Update USB Host EHCI description to USB 2.0.</p> <p>Doc Issue 5632: Updated Boot Configuration, Strapping, and Serial EEPROM information on page 89.</p> <p>Doc Issue 5856: Added notes to Table 18 regarding Spread Spectrum, SysClk jitter, and slew rate.</p> <p>Doc Issue 5894: Removed "Preliminary".</p>
02/16/2012	1.31	<p>Updated to AppliedMicro and new logo.</p> <p>Doc Issue 5121: Added DDR read timing table (<i>Table 28</i>) and updated <i>Figure 11</i>.</p> <p>Updated PDF bookmarks.</p> <p>Updated $\overline{\text{PCIGnt0/Req}}$ and SysErr signal descriptions (<i>Table 8</i>).</p> <p>Doc Issue 6823: Updated pack type to TE-EPBGA.</p>
05/18/2012	1.32	<p>Updated signal description for USB2OM in <i>Table 8</i>.</p>



Applied Micro Circuits Corporation
215 Moffett Park Dr., Sunnyvale, CA 94089
Phone: (408) 542-8600 — Fax: (408) 542-8601
<http://www.apm.com>

AppliedMicro reserves the right to make changes to its products, its data sheets, or related documentation, without notice and warrants its products solely pursuant to its terms and conditions of sale, only to substantially comply with the latest available data sheet. Please consult AppliedMicro's Term and Conditions of Sale for its warranties and other terms, conditions and limitations. AppliedMicro may discontinue any semiconductor product or service without notice, and advises its customers to obtain the latest version of relevant information to verify, before placing orders, that the information is current. AppliedMicro does not assume any liability arising out of the application or use of any product or circuit described herein, neither does it convey any license under its patent rights nor the rights of others. AppliedMicro reserves the right to ship devices of higher grade in place of those of lower grade.

APPLIEDMICRO SEMICONDUCTOR PRODUCTS ARE NOT DESIGNED, INTENDED, AUTHORIZED, OR WARRANTED TO BE SUITABLE FOR USE IN LIFE-SUPPORT APPLICATIONS, DEVICES OR SYSTEMS OR OTHER CRITICAL APPLICATIONS.

AppliedMicro and AMCC are Trademarks of Applied Micro Circuits Corporation.

Copyright © 2009 Applied Micro Circuits Corporation.

All Rights Reserved.