



Intel® IXP2325 Network Processor

Enables access and edge applications to 1 Gbps

Product Highlights

- Two fully programmable multi-threaded micro-engines with large control store memory for single chip packet forwarding and traffic management, up to 2.5 giga-operations per second
- An integrated low power 32-bit Intel XScale® core utilizes a dedicated memory controller, cache coherency and L2 push cache for high performance control plane processing
- Extensive integration of standards-based physical interconnects, high speed serial processing and cryptography acceleration features save on cost, power and board area
- Comprehensive development environment enables rapid product development and prototyping
- Application building blocks from Intel and third-party providers speed time-to-market
- Low power consumption and compact packaging reduce system cost
- Intel® Internet Exchange Architecture (Intel® IXA) Software Framework enables customers to reuse software and reduce development risk

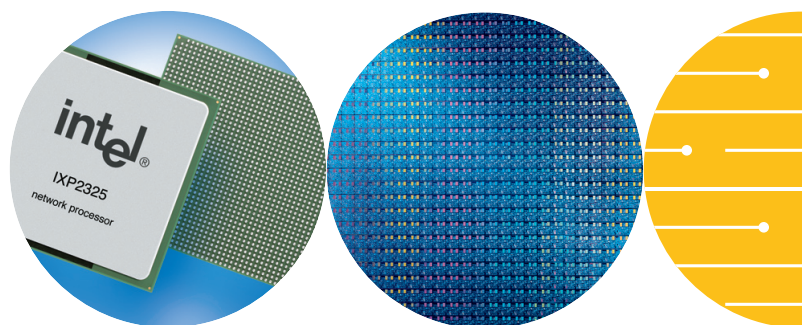
Product Overview

Equipment designed for network access and edge applications requires great processing performance to support value-added network services at T1/E1 to 1 Gbps line rates. Network equipment vendors must rapidly add these new

services and continue to minimize development time and cost. To meet these needs and extend time-in-market, network processors must combine performance with programming flexibility. In addition, by implementing standards-based interfaces, vendors can integrate components more easily and leverage software investments by reusing code. This can dramatically speed time-to-market and lower development costs.

With the addition of the Intel® IXP2325 network processor to the product line, the Intel® IXP2XXX network processors now support scalable performance from T1/E1 to OC-192/10 Gbps. This mid-range product extends Intel's fully programmable architecture to new, lower cost/performance points for access and edge applications, including broadband access devices, wireless infrastructure systems, routers and multi-service switches. The Intel IXP2325 network processor is fully programmable, integrating key architectural features from the Intel® IXP42X and IXP2XXX product lines to support wire speed deep packet inspection, traffic management and forwarding on a single chip. Its store-and-forward architecture combines enhanced high performance Intel XScale core, two 32-bit independent multi-threaded microengines, hardware-based cryptography acceleration, and a 256 HDLC channel controller to deliver up to 2.5 giga-operations per second.

www.intel.com/go/networkprocessors





The Intel® IXP2325 network processor is offered in various speed and temperature options.

The Intel® IXP2325 network processor has the processing power to run applications that previously required expensive high-speed ASICs.

To meet today's and tomorrow's demanding data-plane performance requirements, the IXP2325 network processor provides a powerful, integrated control plane processor in the same chip. The high-speed core (900 MHz) incorporates advanced I/O and memory features, such as a dedicated memory controller, cache coherency and L2 push cache, enabling customers to eliminate an external control plane processor in many applications. For instance, in a 3G basestation transport line card, heavy-duty 3G control signaling and IKE cryptography functions can be performed using the IXP2325 network processor's built-in control plane processor.

Additional hardware-assisted features in the IXP2325 network processor increase data plane performance and simplify development. In addition to local memory for microengines, the IXP2325 network processor includes built-in resources for tasks such as Asynchronous Transfer Mode (ATM) segmentation and reassembly (SAR), time stamps to support flow metering and a multiply function for complex algorithm calculations such as Quality of Service (QoS). And, the network processor automates packet manipulation for byte alignment to improve developer productivity and streamline code flows.

Application Flexibility

The IXP2325 network processor can support up to full duplex 1 Gbps line rates, making it ideal for a wide variety of applications such as:

- DSL Access Multiplexers (DSLAMs)
- 2.5G and 3G wireless infrastructure Radio Access

Network transport layers

- Wireless Local Area Network (WLAN) access point aggregation gateways
- WiMAX (802.16x) basestations
- Wide Area Networking (WAN) multi-service switches
- Cable Modem Termination System (CMTS) equipment
- Enterprise routers

The programmability of the IXP2325 network processor also makes it well suited for voice over IP gateways, multi-service access platforms, remote access concentrators, Virtual Private Network (VPN) gateways, and various appliances.

Apply the IXP2325 network processor in such usage models as:

- Aggregation, ATM SARing, traffic shaping, policing, forwarding and protocol conversion in either trunk cards or as intelligent line cards in DSLAMs/mini-DSLAM equipment
- Aggregation, forwarding and protocol conversion in CMTS equipment
- ATM SARing, encryption, forwarding and protocol conversion in a basestation
- Aggregation, traffic shaping, policing, forwarding and protocol conversion in either WLAN switches or WiMAX basestations
- ATM SARing, traffic shaping, policing, protocol conversion and aggregation for WAN multi-service switches
- Content-aware load balancing, forwarding and policing for appliances
- Multi-gigabit aggregation with forwarding and QoS in a WLAN access point aggregation gateway
- Virtual Local Area Network (VLAN), forwarding, QoS handling in excess of 1 million packets per second in an enterprise router application

Hardware Architecture Innovations

Key to the performance capabilities of the Intel® IXP2325 network processor is Intel's unique network processing approach that allows a single-stream packet/cell-processing problem to be deconstructed into multiple, sequential tasks that can be easily linked together. The hardware design uses fast and flexible sharing of data and event signals among threads and microengines to

manage data-dependent operations among multiple parallel processing stages with low latency. This combination of flexible software pipelining and fast inter-process communication enables the IXP2325 network processor to deliver rich processing capability at line rates from T1/E1 to 1 Gbps.

Intel's network processor architecture implements major innovations to ensure low latency communication among processes:

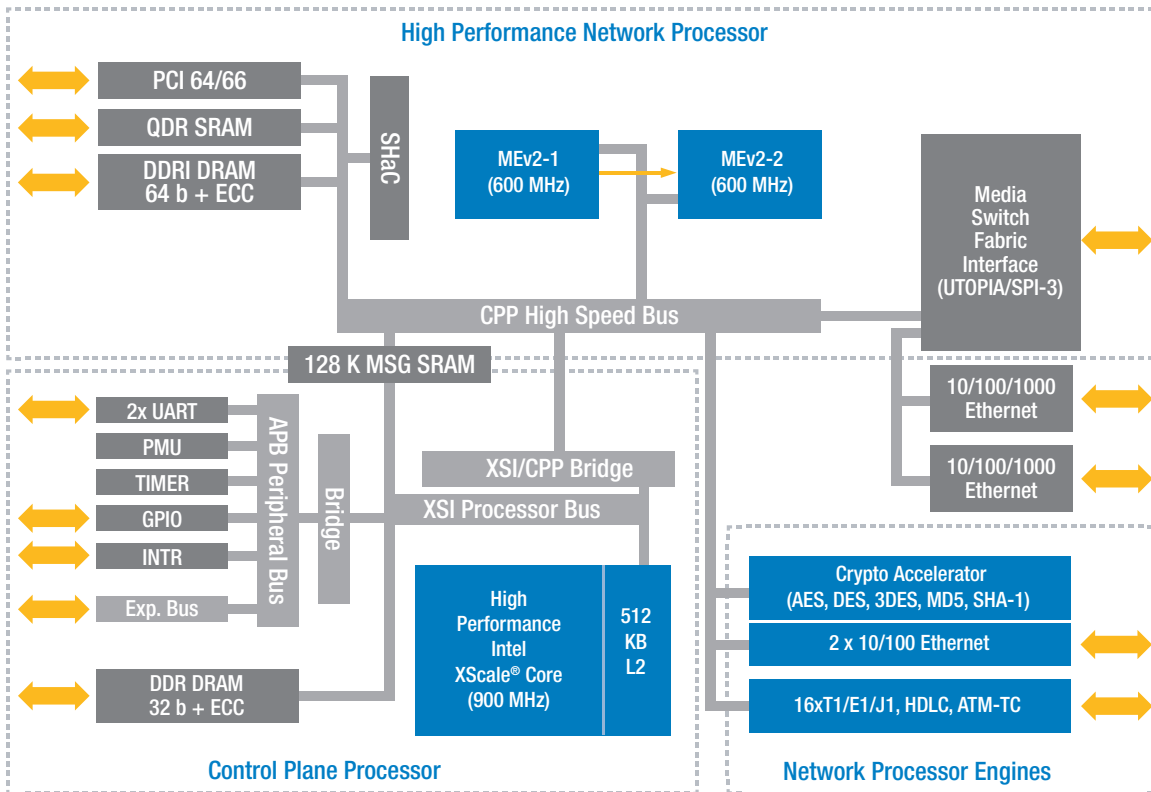


Figure 1: Intel® IXP2325 Network Processor Block Diagram

- Next Neighbor registers enable individual microengines to rapidly pass data and state information to adjacent microengines.
- Reflector Mode pathways ensure that multiple microengines can share data and global event signals using 32-bit, unidirectional buses that connect the Intel® IXP2325 network processor internal processing and memory resources.
- Ring Buffer registers provide a highly efficient mechanism for flexibly linking tasks among multiple software pipelines. Ring buffers allow developers to establish “producer-consumer” relationships among microengines, efficiently propagating results along the pipeline in FIFO order. To minimize latency associated with external memory references, register structures are complemented by 16 entries of Content Addressable Memory (CAM) associated with each microengine. Configured as a distributed cache, the CAM enables multiple threads and microengines to manipulate the same data simultaneously while maintaining data coherency.

The high performance IXP2325 network processor delivers programmability to speed the deployment of intelligent network services. Intel® IXA, Intel's network processor architecture, enables applications developed for the IXP2325 network processor to scale across other applications and to successive generations of networking products. Intel IXA

includes a common set of development tools for the Intel® IXP2XXX product line, providing a comprehensive development environment that can dramatically accelerate time-to-market and extend customers' investments in software.

Development Environment

The Intel IXP2325 development environment includes the Intel® Internet Exchange Architecture software developers kit (Intel® IXA SDK) complemented by a hardware development platform with supporting software and tools. The SDK provides high-level tools, embedded operating system support, the Intel IXA Software Framework, software building blocks/libraries and reference applications that enable customers to evaluate, demonstrate, and tune performance and develop applications for the network processor to meet product requirements and minimize time-to-market.

The hardware development platform comprises an industry-standard form factor chassis, an IXP2325 network processor baseboard, and a choice of modular media cards for maximum design flexibility. Complementary software and silicon from members of the Intel® Communications Alliance and other third-party providers are designed to work together to provide the flexibility, scalability and performance levels required to meet the demands of tomorrow's high performance networks.

Features	Benefits
Two integrated programmable microengines (MEv2) with 8K instruction program stores running at 600 MHz.	Flexible multi-threaded RISC processors can be programmed to deliver intelligent transmit and receive processing, with robust software development environment for rapid product development.
Integrated Intel XScale® core: <ul style="list-style-type: none"> • 32 Kbytes - Instruction cache • 32 Kbytes - Data cache • At 900 MHz 	Embedded 32-bit RISC core for high performance processing of complex algorithms, route table maintenance and system-level management functions. Lowers system cost by eliminating external host processor.
Integrated 512 Kbytes L2 push cache	Improves CPU performance and MEv2 to Intel XScale core and PCI to Intel XScale core communication.
Two unidirectional 32-bit media interfaces (Rx and Tx) programmable as SPI-3 or UTOPIA.	Supports industry standard cell and packet interfaces to media and fabric devices; simplifies design and interface to custom ASIC devices.
Each path configurable for 4x8-bit, 2x16-bit, 1x32-bit or combinations of 8- & 16-bit data paths.	Supports up to 127 ports using a 16-bit UTOPIA-2 MPHY mode.
Two integrated Gigabit Ethernet MACs	Lowers system cost, power and board real estate.
Two integrated 10/100 Ethernet MACs	Can be used as debugging ports or control signal ports. Lowers system cost, power and board real estate.
Integrated high speed serial controller: <ul style="list-style-type: none"> • 256 HDLC channel controller (64 channels when configured with dynamic timeslot remap) • ATM-TC • Up to 16xT1/E1/J1 TDM links 	Performs inverse multiplexing over ATM (IMA), which provides lower system cost, power and board real estate.
Integrated cryptography accelerator	Provides up to 200 Mbps bulk encryption (DES/SHA-1) capability. Supports AES, DES and 3DES encryption algorithms as well as SHA-1 and MD5 hashing algorithms.
Two industry standard DDR DRAM interfaces: <ul style="list-style-type: none"> • One 64-bit + ECC DDR300 low latency channel (up to 2GB) optimized for microengine use • One 32-bit + ECC DDR300 low latency channel (up to 1GB) optimized for the Intel XScale core 	Memory subsystem supports the network processor store-and-forward processing model. Separate memory channels for Intel XScale core and microengines improves data plane and control plane performance.
I/O coherency for Intel XScale core DRAM	Improves performance through accelerated control plane/data plane communications.
One industry standard QDR SRAM interface	Provides industry standard interface for memory subsystem for look-up tables and access lists, or co-processors (such as CAM/TCAM).
Asynchronous control interface supports 8 or 16-bit slow port devices via 16-bit expansion bus.	Provides control interface for connecting to microprocessor port of PHY devices and flash memory. Provides a direct connection to DSP via HPI.
Hardware support for memory access queuing	Simplifies application development and reduces system cost.
JTAG support	Improves hardware debug ability.
Intel® IXA Software Development Kit (SDK) Intel® Hardware Development Platform	Industry standard AdvancedTCA* form factor hardware reference design and state of the art development tools improves time-to-market via robust hardware and software development tools.
1752 ball FCBGA 42.5 mm x 42.5 mm package	Minimizes board layers, providing easier board layer routing and lower cost.

Specifications

Description	Specification
Intel® IXP2325 NPU variant	900/600 (900 MHz Intel XScale core/600 MHz 2ME)
Microengine (MEV2) operating frequency	600 MHz
Intel XScale core operating frequency	900 MHz
Microengine program control stores	8K instructions (8K x 40-bit) per microengine
Receive interface (UTOPIA, SPI-3)	<ul style="list-style-type: none"> • Completely independent from Tx path • 32 data signals, 2 clocks, control & parity signals • 3.3V LVTTTL signaling (single edge) w/global synch clocking • Configurable for UTOPIA (1/2/3); SPI-3 (POS-PHY 2/3) • UTOPIA & SPI-3 modes enable combination of 16-bit and 8-bit channels • Up to 104 MHz operation
Transmit interface (UTOPIA, SPI-3)	<ul style="list-style-type: none"> • Completely independent from Rx path. • 32 data signals, 2 clocks, control & parity signals • 3.3V LVTTTL signaling (single edge) w/global synch clocking • Configurable for UTOPIA (1/2/3); SPI-3 (POS-PHY 2/3) • UTOPIA & SPI-3 modes enable combination of 16-bit and 8-bit channels • Up to 104 MHz operation
Gigabit Ethernet MAC with GMII/RGMII/MII/TBI interface	<ul style="list-style-type: none"> • Up to two • Depending on the operating modes, not all Gigabit Ethernet ports may be available
10/100 Ethernet MACs with MII/RMII interfaces	Two for debug or control signal ports
Integrated high-speed serial controller	<ul style="list-style-type: none"> • 256 HDLC channel controller (64 channels when configured with dynamic timeslot remap) • ATM over serial controller • Up to 16xT1/E1/J1 TDM links • ATM-TC
Integrated cryptography accelerator	<ul style="list-style-type: none"> • AES, DES and 3DES encryption algorithms • SHA-1 and MD5 hashing algorithms. • Cryptography will be enabled via firmware provided by Intel
Additional integrated hardware features	<ul style="list-style-type: none"> • Hardware hash unit (48-, 64- and 128-bit) • 16 Kbytes scratchpad memory • 128 Kbytes message SRAM • Two Serial UART ports for debug • Up to 16 general-purpose I/O pins • Four 32-bit timers • Interrupt controller • Watchdog • General-purpose timer • Configurable 24-bit address expansion bus controller supporting 8- or 16-bit parallel microprocessor port, 8/16-bit flash and HPI
PCI interface	64- or 32-bit PCI 2.2 compliant interface running at 66 MHz or 33 MHz
SRAM interface (QDR) One channel	Supports both QDR I and QDR II. Peak bandwidth of 1.6 GBps per channel at frequency of 200 MHz (800 Mbytes/sec read, 800 Mbytes/sec write); up to 16 Mbytes per channel; parity protected.
DDR DRAM Two channels: • CPP 64-bit DDR controller for MEV2 • XSI 32-bit DDR controller for Intel XScale core	<ul style="list-style-type: none"> • CPP Channel: Peak bandwidth of 2.4 GBps (19.2 Gbps) per channel at frequency of 150 MHz, up to 2 Gbytes memory; ECC protected; 64-bit wide interface • XSI Channel: Peak bandwidth of 1.2 GBps (9.6 Gbps) per channel at frequency of 150 MHz, up to 1 Gbyte memory; ECC protected; 32-bit wide interface
Commercial operating temperature Extended operating temperature	<ul style="list-style-type: none"> • 0° to +70° C • -40° to +85° C
Power supply	<ul style="list-style-type: none"> • Vdd=1.2 V+/-5% (Core) • Vdd1=1.5V+/-5% (QDR) • Vdd2=2.5V+/-5% (DDR) • Vdd3=3.3V+/-5% (Media, PCI, I/O)
Power dissipation	8.5 Watts typical, 9.5 Watts max*** ***Can be further reduced by not using all of the I/Os
Package	1752-ball FCBGA 42.5 mm x 42.5 mm
Solder ball pitch	1 mm

Intel® Internet Exchange Architecture (Intel® IXA)

Intel® IXA is a packet processing architecture that provides a foundation for software portability across multiple generations of network processors. Intel IXA is based on programmable microengines, Intel XScale® technology and the Intel IXA Software Framework. Additional information on Intel IXA and the Intel network processor product line is available at the addresses listed below.

Intel® Communications Alliance

With Intel development platforms, developers can design comprehensive systems combining products from Intel and third-party vendors to accelerate time-to-market and reduce development costs. For more information on third parties in the Intel® Communications Alliance who support Intel network processors and their development environment, visit: www.intel.com/go/ica

Intel Access

Intel® Network Processors Home page	intel.com/go/networkprocessors
Developer's Site	developer.intel.com
Intel® in Communications	intel.com/communications
General Information Hotline	(800) 628-8686 or (916) 356-3104 5 a.m. to 5 p.m. PST
Intel® Literature Center	(800) 548-4725 7 a.m. to 7 p.m. CST (U.S. and Canada) International locations please contact your local sales office.

UNITED STATES AND CANADA

Intel Corporation
Robert Noyce Bldg.
2200 Mission College Blvd.
P.O. Box 58119
Santa Clara, CA 95052-8119
USA

EUROPE

Intel Corporation (UK) Ltd.
Pipers Way
Swindon
Wiltshire SN3 1RJ
UK

ASIA-PACIFIC

Intel Semiconductor Ltd.
32/F Two Pacific Place
88 Queensway, Central
Hong Kong, SAR

JAPAN

Intel Japan (Tsukuba HQ)
5-6
Tokodai Tsukuba-shi
300-2635 Ibaraki-ken
Japan

SOUTH AMERICA

Intel Semicondutores do Brasil LTDA
Av. Dr. Chucri Zaidan, 940-10º andar
04583-904 São Paulo, SP
Brazil

INFORMATION IN THIS DOCUMENT IS PROVIDED IN CONNECTION WITH INTEL® PRODUCTS. EXCEPT AS PROVIDED IN INTEL'S TERMS AND CONDITIONS OF SALE FOR SUCH PRODUCTS, INTEL ASSUMES NO LIABILITY WHATSOEVER, AND INTEL DISCLAIMS ANY EXPRESS OR IMPLIED WARRANTY RELATING TO SALE AND/OR USE OF INTEL PRODUCTS, INCLUDING LIABILITY OR WARRANTIES RELATING TO FITNESS FOR A PARTICULAR PURPOSE, MERCHANTABILITY, OR INFRINGEMENT OF ANY PATENT, COPYRIGHT, OR OTHER INTELLECTUAL PROPERTY RIGHT. Intel may make changes to specifications, product descriptions, and plans at any time, without notice.

Intel Corporation may have patents or pending patent applications, trademarks, copyrights, or other intellectual property rights that relate to the presented subject matter. The furnishing of documents and other materials and information does not provide any license, express or implied, by estoppel or otherwise, to any such patents, trademarks, copyrights, or other intellectual property rights. Intel products are not intended for use in medical, life saving, life sustaining, critical control or safety systems, or in nuclear facility applications. The Intel® IXP2325 Network Processor may contain design defects or errors known as errata, which may cause the product to deviate from published specifications. Current characterized errata are available upon request.

Intel, the Intel logo and Intel XScale are trademarks or registered trademarks of Intel Corporation or its subsidiaries in the United States and other countries. The ARM®, StrongARM® and ARM Powered logo marks (the ARM marks) are trademarks of ARM, Ltd., and Intel uses these marks under license from ARM, Ltd.

* Other names and brands may be claimed as the property of others.

ATCA is a trademark of the PCI Industrial Computers Manufacturers Group.

Copyright © 2005 Intel Corporation. All rights reserved.

0605/QUA/CM/PDF



303679-003US

