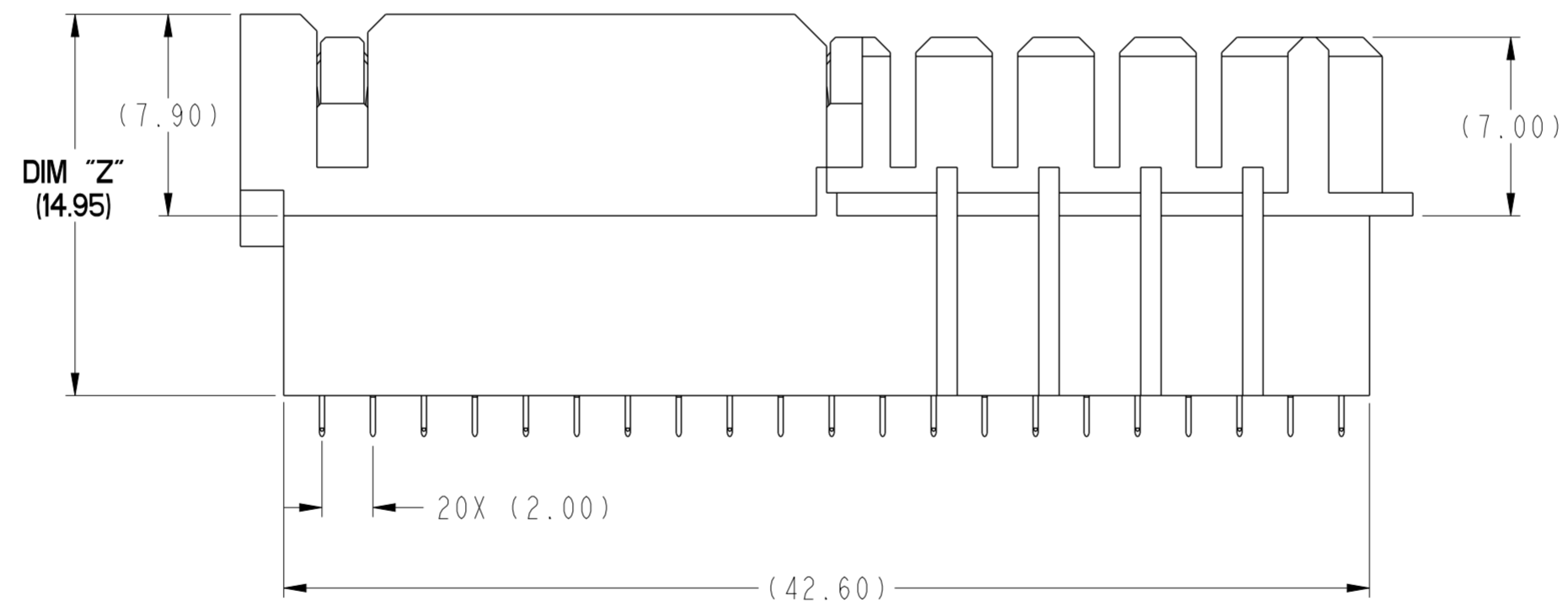
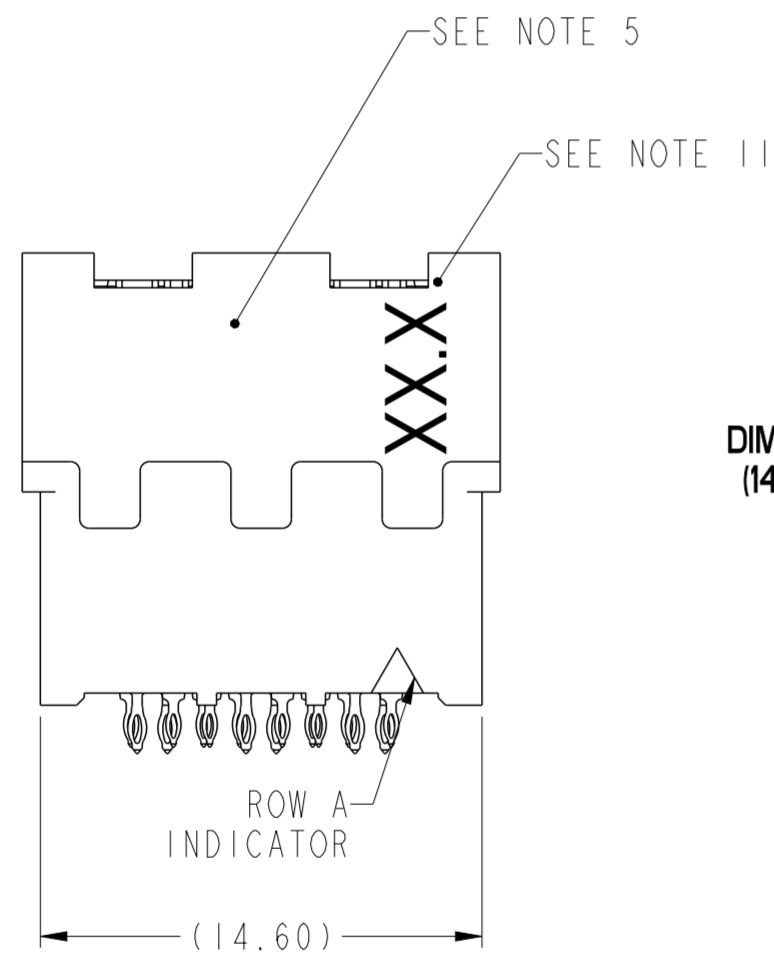
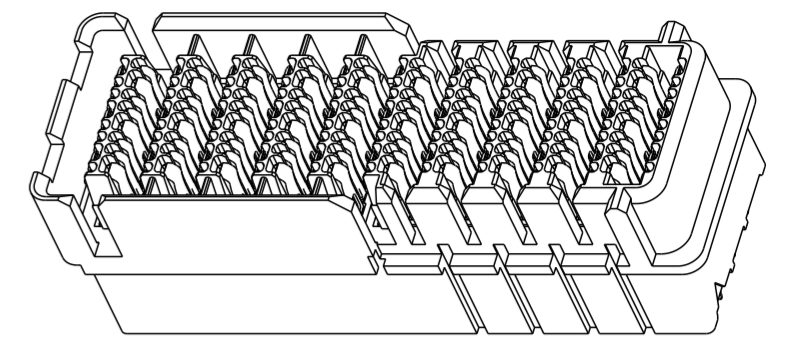
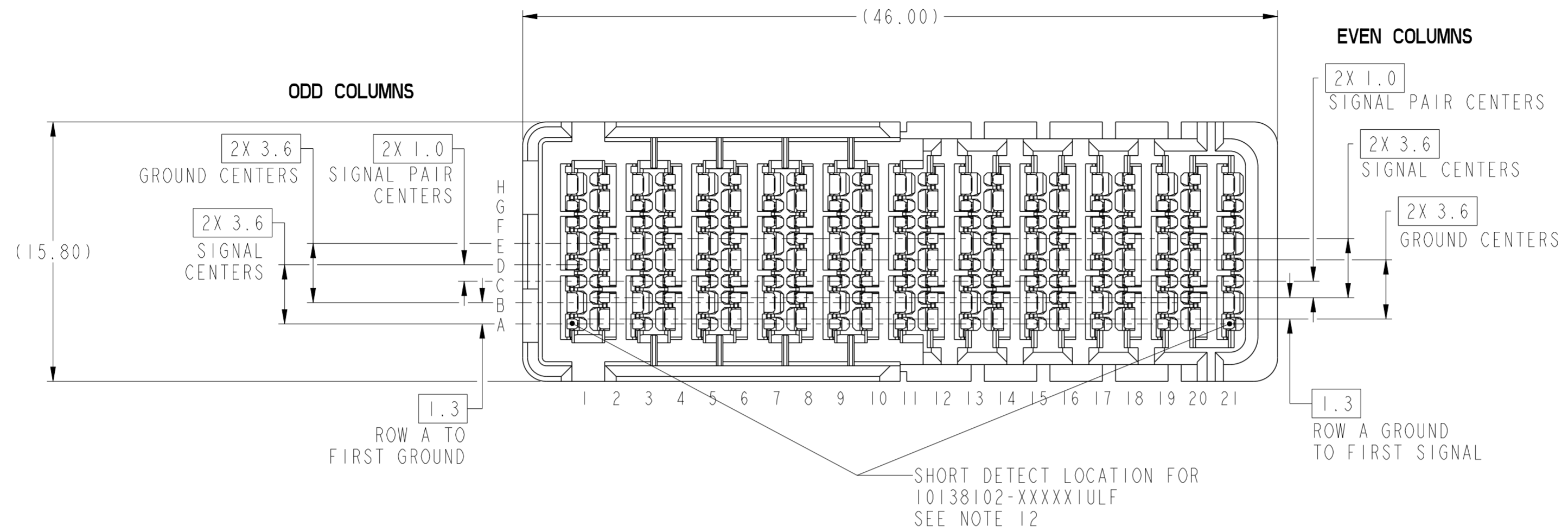
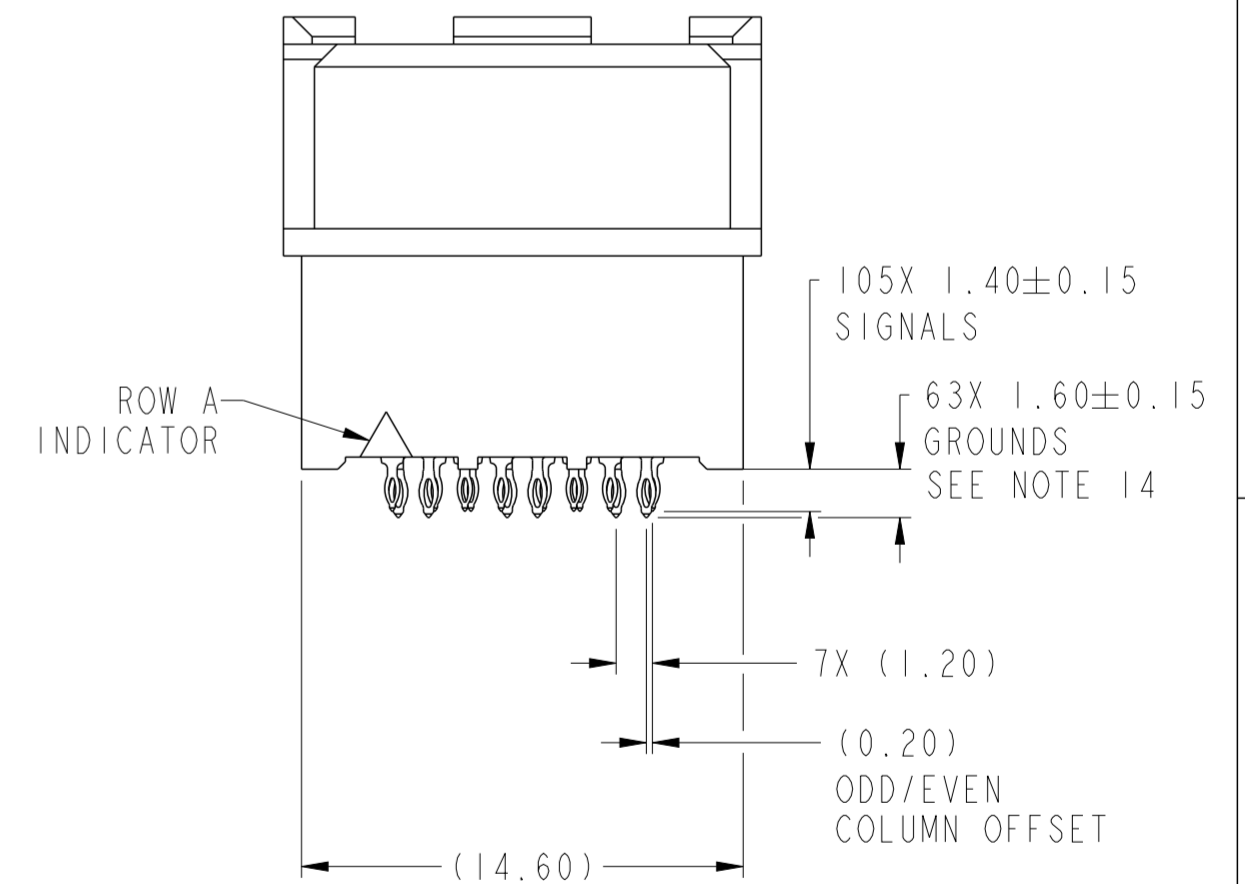


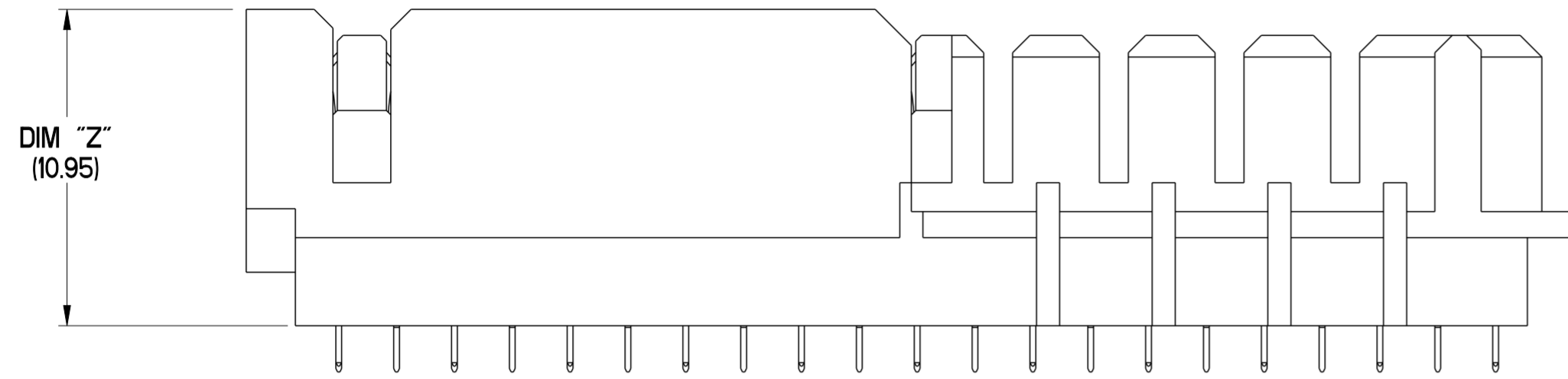
PRODUCT NUMBERS SEE TABLE ON LAST SHEET



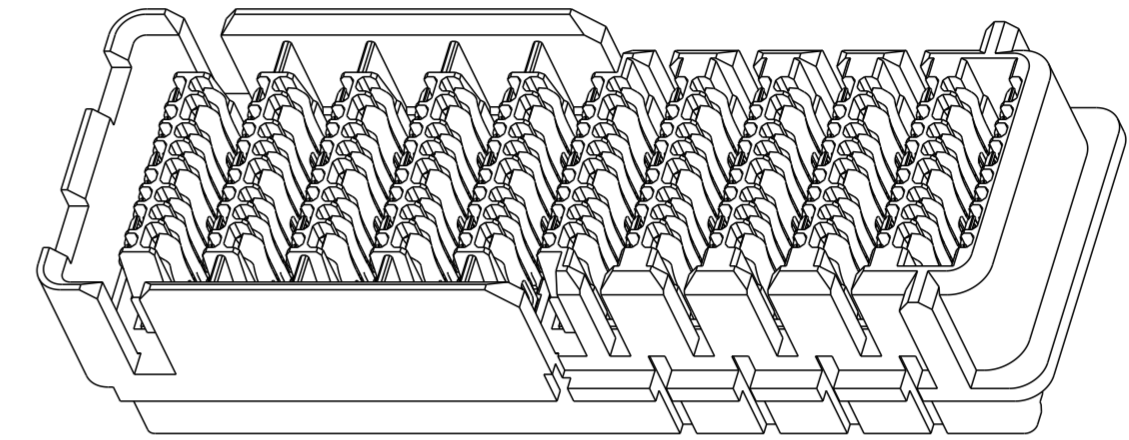
10138102-111500XULF SHOWN
SCALE 4:1



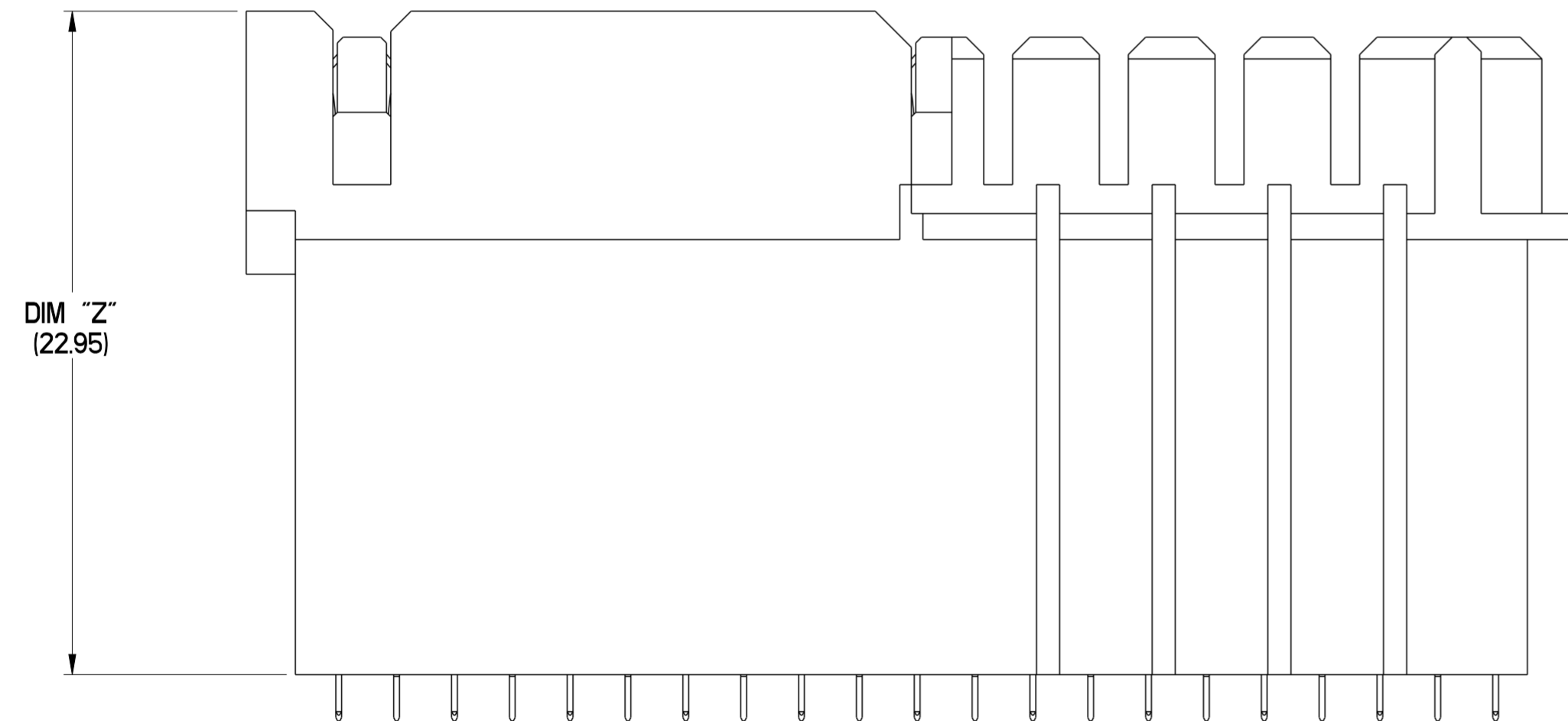
spec ref	SEE NOTES	dr	David Guo	2015/12/14	projection	mm	size	A2	scale	4:1									
tolerance std	TOLERANCES UNLESS OTHERWISE SPECIFIED	eng	Zhou, Zoe (Xua)	2026/01/28		mm	ecn no	ELX-DG-59192-1	rel level	Released									
ASME Y14.5M		chr	-																
		appr	Heaven Cen	2026/01/30							product family	ExaMEZZ							
surface	<table border="1"> <tr> <td>linear</td> <td>0.X</td> <td>±0.3</td> </tr> <tr> <td></td> <td>0.XX</td> <td>±0.10</td> </tr> <tr> <td></td> <td>0.XXX</td> <td>±0.05</td> </tr> <tr> <td>angular</td> <td>0°</td> <td>±2°</td> </tr> </table>	linear	0.X	±0.3		0.XX	±0.10		0.XXX	±0.05	angular	0°	±2°			title ExaMEZZ CONNECTOR ASSEMBLY HERMAPHRODITIC, 2 PAIR, 21 IMLA		dwg no 10138102	rev B
linear	0.X	±0.3																	
	0.XX	±0.10																	
	0.XXX	±0.05																	
angular	0°	±2°																	
		cat. no.		Product - Customer Drw		sheet 1 of 4													



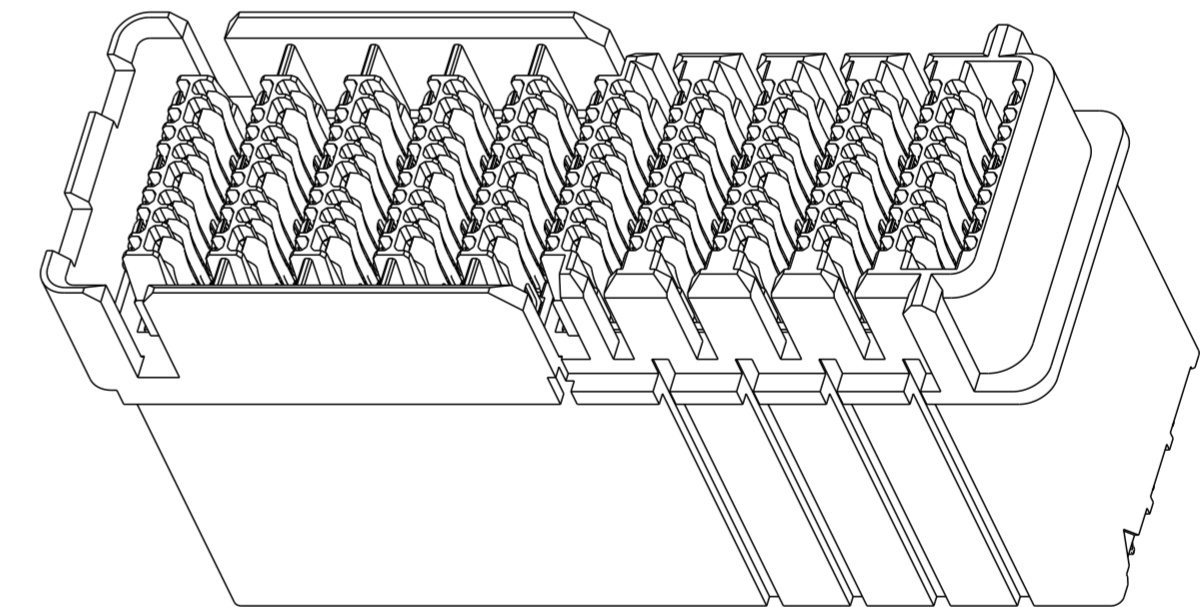
10138102-10750XULF SHOWN
SCALE 5:1



SCALE 3:1



10138102-119500ULF SHOWN
SCALE 5:1



SCALE 3:1

spec ref	SEE NOTES	dr	David Guo	2015/12/14	projection	mm	size	A2	scale	4:1									
tolerance std	TOLERANCES UNLESS OTHERWISE SPECIFIED	eng	Zhou, Zoe (Xua)	2026/01/28			ecn no	ELX-DG-59192-1											
ASME Y14.5M		chr	-	-			rel level	Released											
		appr	Heaven Cen	2026/01/30			product family	ExaMEZZ											
surface	<table border="1"> <tr> <td>linear</td> <td>0.X</td> <td>±0.3</td> </tr> <tr> <td></td> <td>0.XX</td> <td>±0.10</td> </tr> <tr> <td></td> <td>0.XXX</td> <td>±0.05</td> </tr> <tr> <td>angular</td> <td>0°</td> <td>±2°</td> </tr> </table>	linear	0.X	±0.3		0.XX	±0.10		0.XXX	±0.05	angular	0°	±2°	Amphenol FCI	title ExaMEZZ CONNECTOR ASSEMBLY HERMAPHRODITIC, 2 PAIR, 21 IMLA			cat. no. 10138102 Product - Customer Drw	rev B sheet 2 of 4
linear	0.X	±0.3																	
	0.XX	±0.10																	
	0.XXX	±0.05																	
angular	0°	±2°																	

BOARD-LEVEL
CONNECTOR OUTLINE
SEE NOTE 10

63X (Ø0.60) DRILL SIZE
FOR ALL GROUND VIAS
SEE NOTE 8

7X 1.20

(3.60) (3.00)

POSITION A1

0.40 OFFSET OF PCB HOLES
BETWEEN COMPONENT SIDE OF
BOARD #1 TO BACK SIDE OF BOARD #2
WHEN CONNECTORS ARE MATED
SEE APPLICATION SPECIFICATION

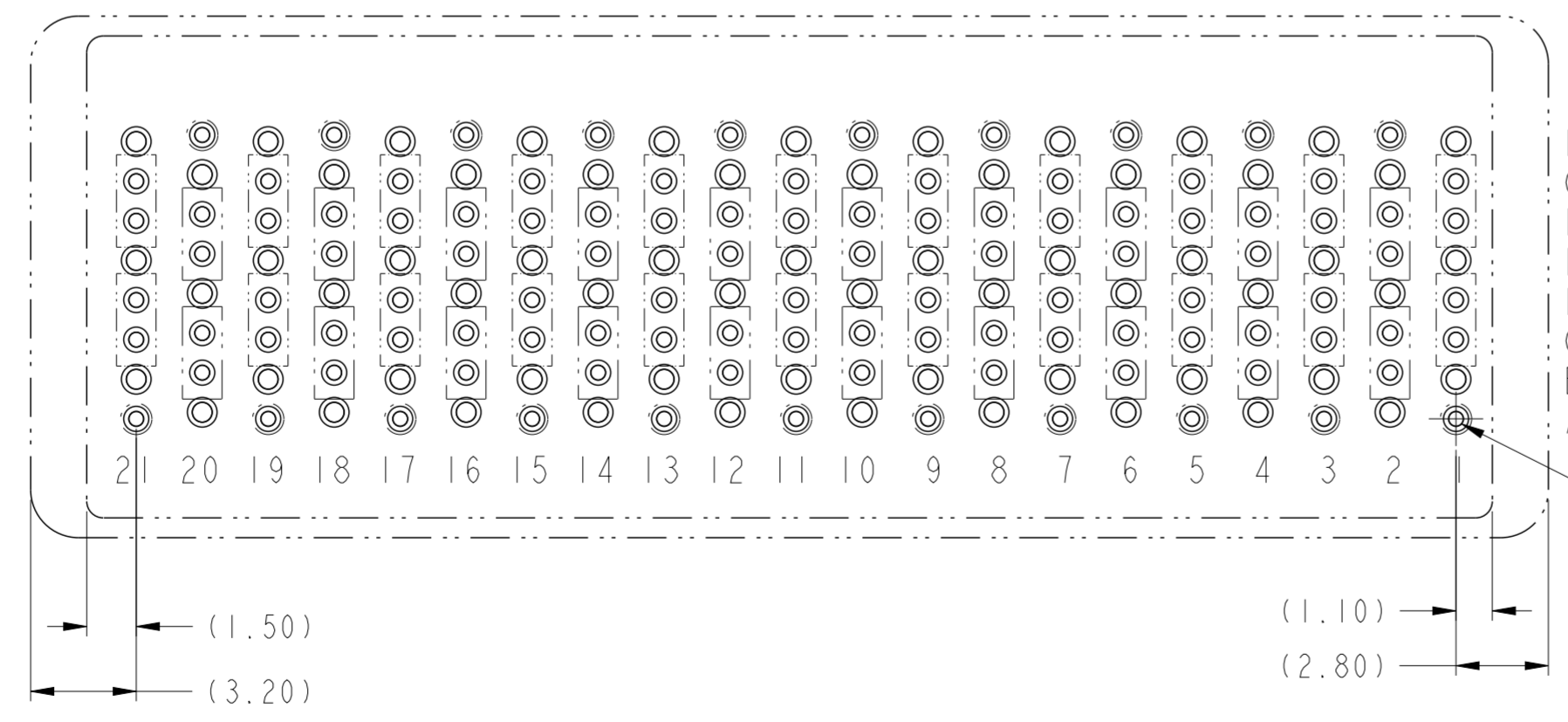
(1.50)

(3.20)

20X 2.00
SEE NOTE 9

105X (Ø0.45) DRILL SIZE
SEE NOTE 8

10138102-XXXXXXULF
RECOMMENDED PCB LAYOUT
SCALE 5:1
CONNECTOR SIDE SHOWN



**BOARD FOOTPRINT FOR
MEZZ CARD SIDE CONNECTOR
10138102-XXXXXXULF
(SAME FOOTPRINT, DIFFERENT A1 LOCATION)**

**BOARD FOOTPRINT FOR
PLANAR SIDE CONNECTOR
10138102-XXXXXXULF**

42X ANTIPAD
SEE NOTE 9

42X ANTIPAD
SEE NOTE 9

8.40

(14.60)

(15.80)

10X 0.20

ODD AND EVEN
COLUMN OFFSET

(1.10)

(2.80)

21X EXTRA SIGNAL ANTIPAD
SEE NOTE 9

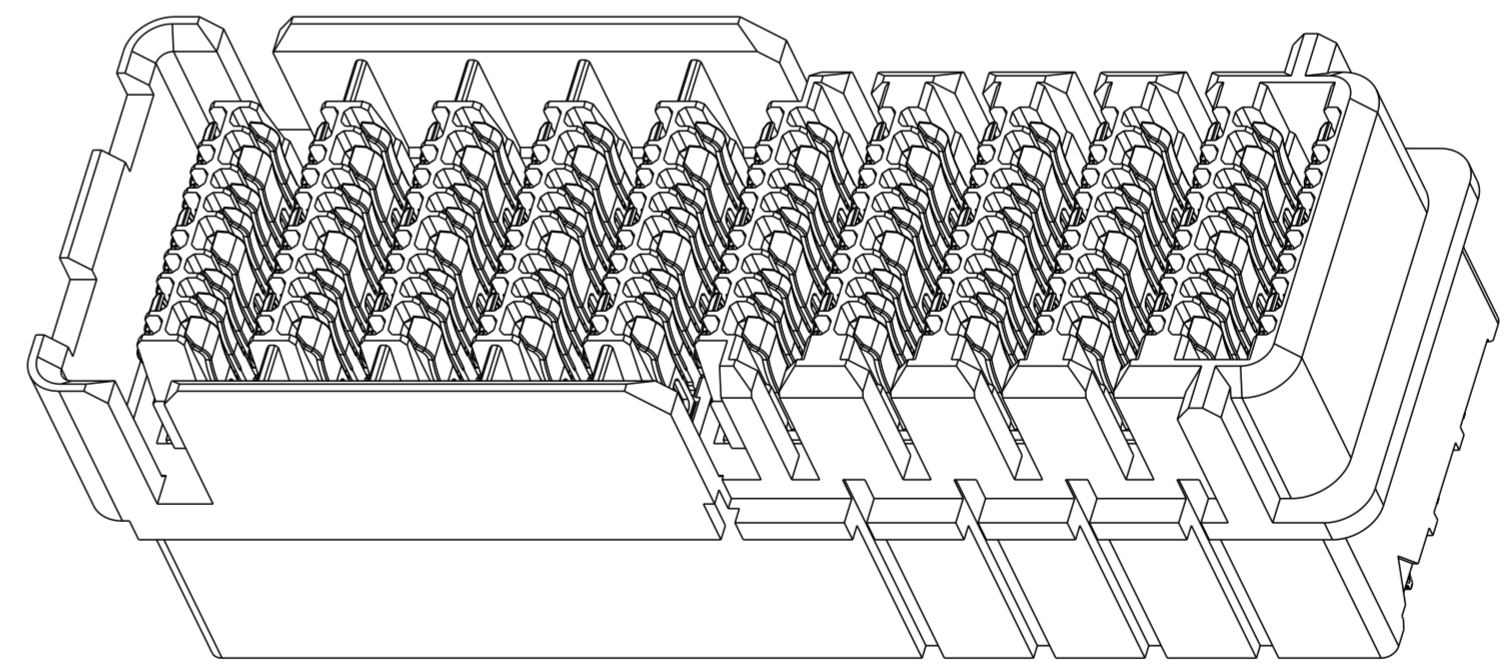
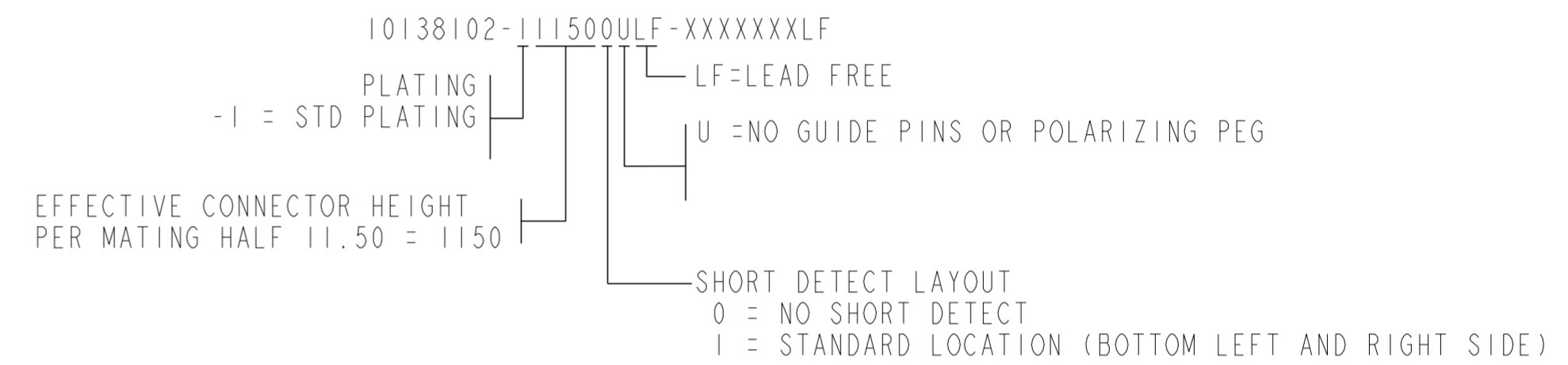
(46.00)

(42.60)

spec ref	SEE NOTES	dr	David Guo	2015/12/14	projection	mm	size	A2	scale	2:1									
tolerance std	TOLERANCES UNLESS OTHERWISE SPECIFIED	eng	Zhou, Zoe (Xua)	2026/01/28			ecn no	ELX-DG-59192-1	rel level	Released									
ASME Y14.5M		chr	-	appr			Heaven Cen	2026/01/30		product family	ExaMEZZ								
surface	<table border="1"> <tr> <td>linear</td> <td>0.X</td> <td>±0.3</td> </tr> <tr> <td></td> <td>0.XX</td> <td>±0.10</td> </tr> <tr> <td></td> <td>0.XXX</td> <td>±0.05</td> </tr> <tr> <td>angular</td> <td>0°</td> <td>±2°</td> </tr> </table>	linear	0.X	±0.3		0.XX	±0.10		0.XXX	±0.05	angular	0°	±2°			ExaMEZZ CONNECTOR ASSEMBLY HERMAPHRODITIC, 2 PAIR, 21 IMLA		title no 10138102	rev B
linear	0.X	±0.3																	
	0.XX	±0.10																	
	0.XXX	±0.05																	
angular	0°	±2°																	
		cat. no.		Product - Customer Drw		sheet 3 of 4													

PRODUCT NUMBER	STACK HEIGHT EACH SIDE	DIM "Z"	SHORT DETECTS
10138102-107500ULF	7.5 mm	10.95	NO
10138102-107501ULF	7.5 mm	10.95	YES
10138102-111500ULF	11.5 mm	14.95	NO
10138102-111501ULF	11.5 mm	14.95	YES
10138102-119500ULF	19.5 mm	22.95	NO

- 1 - CONNECTOR MATERIALS:
HOUSING: HIGH TEMP THERMOPLASTIC, NATURAL, UL94-V0
IMLA PLASTIC: HIGH TEMP THERMOPLASTIC, BLACK, UL94-V0
CONTACT: COPPER ALLOY
- 2 - CONTACT PLATING:
SEPARABLE INTERFACE:
PERFORMANCE-BASED PLATING, QUALIFIED TO MEET THE REQUIREMENTS OF FCI PRODUCT SPECIFICATION GS-12-1150 INCLUDING TELCORDIA GR-1217-CORE (NOVEMBER 1995) CENTRAL OFFICE TEST SEQUENCE.
- PRESS-FIT TAILS:
TIN OVER NICKEL (LEAD-FREE)
- 3 - PRODUCT SPECIFICATION: GS-12-1150
- 4 - APPLICATION SPECIFICATION: GS-20-0373
- 5 - PRODUCT MARKING (PART NUMBER & LOT CODE) ON THIS SURFACE.
- 6 - LEAD FREE PRODUCT MEETS THE EUROPEAN UNION DIRECTIVES & OTHER COUNTRY REGULATIONS AS DESCRIBED IN GS-47-0004.
- 7 - PACKAGING MEETS GS-14-920 LEAD FREE LABELING SPECIFICATION.
- 8 - REFER TO CUSTOMER DRAWING 10119933 FOR INFORMATION ON PCB HOLE DIAMETERS AND PLATING OPTIONS.
- 9 - REFER TO ROUTING GUIDE GS-20-0511 FOR RECOMMENDATIONS ON OPTIMIZATION OF FOOTPRINT AND TRACE ROUTING LAYOUT.
- 10 - CONNECTOR OUTLINE MAY BE SCREEN PRINTED ONTO CUSTOMER PCB TO BE USED AS A GUIDE FOR MANUAL CONNECTOR PLACEMENT.
- 11 - PRODUCT STACK HEIGHT (7.5, 11.5) LASER MARKED ON THIS SURFACE.
- 12 - THE SHORT DETECT CONNECTOR (WHEN MATED WITH A NON-SHORT DETECT CONNECTOR) WILL PROVIDE CONTACTS THAT MATE 1.00mm AFTER THE REMAINDER OF STANDARD LENGTH SIGNAL AND GROUND CONTACTS MATE. NEVER MATE A SHORT DETECT CONNECTOR WITH ANOTHER SHORT DETECT CONNECTOR.
- 13 - THE HOUSING WILL WITHSTAND EXPOSURE TO 260 °C PEAK TEMPERATURE FOR 10-30 SECONDS IN A CONVECTION, INFRA-RED, OR VAPOR PHASE REFLOW OVEN.
- 14 - ALL GROUND CONTACTS WITHIN A COLUMN ARE COMMONED



spec ref	SEE NOTES	dr	David Guo	2015/12/14	projection	mm	size	A2	scale	4:1										
tolerance std	TOLERANCES UNLESS OTHERWISE SPECIFIED	eng	Zhou, Zoe (Xua)	2026/01/28			ecn no	ELX-DG-59192-1												
ASME Y14.5M		chr	-	appr			Heaven Cen	2026/01/30	product family	ExaMEZZ	rel level	Released								
surface	<table border="1"> <tr> <td>linear</td> <td>0.X</td> <td>±0.3</td> </tr> <tr> <td></td> <td>0.XX</td> <td>±0.10</td> </tr> <tr> <td></td> <td>0.XXX</td> <td>±0.05</td> </tr> <tr> <td>angular</td> <td>0°</td> <td>±2°</td> </tr> </table>	linear	0.X	±0.3		0.XX	±0.10		0.XXX	±0.05	angular	0°	±2°			ExaMEZZ CONNECTOR ASSEMBLY HERMAPHRODITIC, 2 PAIR, 21 IMLA		<div style="display: flex; justify-content: space-between;"> cat. no. Product - Customer Drw </div>	<div style="display: flex; justify-content: space-between;"> 10138102 sheet 4 of 4 </div>	<div style="display: flex; justify-content: space-between;"> rev B </div>
linear	0.X	±0.3																		
	0.XX	±0.10																		
	0.XXX	±0.05																		
angular	0°	±2°																		

© 2020 Amphenol Corporation