

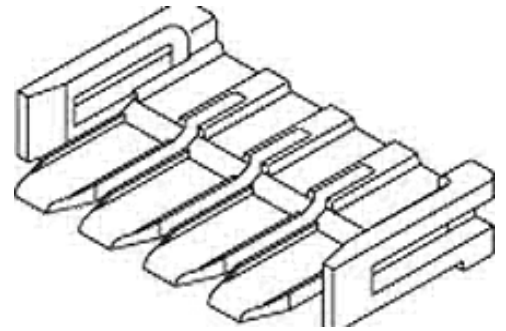
Part Number : [513480500](#)

Product Description : 3.30mm Pitch Wire-to-Board Terminal Position Assurance (TPA) Retainer, 5 Circuits

Series Number : 51348

Status : Not Recommended For New Design

Product Category : Connector Accessories



Documents and Resources

Specifications

[SPK-51348-001-001.pdf](#)


[PS-51284-001-001.pdf](#)

[PS-51284-002-001.pdf](#)

[PS-51284-003-001.pdf](#)

Product Environment Compliance

Compliance

GADSL/IMDS	Not Relevant
China RoHS	 per SJ/T 11365-2006
EU ELV	Not Relevant
Low-Halogen Status	Not Low-Halogen per IEC 61249-2-21
REACH SVHC	Not Contained per D(2025)7771-DC (04 Feb 2026)
EU RoHS	Compliant per EU 2015/863

Compliance Statements

- EU RoHS
- REACH SVHC
- Low-Halogen

Industry Documents

- IPC 1752A Class C
- IPC 1752A Class D
- Molex Product Compliance Declaration

- IEC-62474
- chemSHERPA (xml)

Substances of Interest

- PFAS

EU RoHS Certificate of Compliance

Additional Product Compliance Information

Part Details

General

Status	Not Recommended For New Design
Category	Connector Accessories
Series	51348
Description	3.30mm Pitch Wire-to-Board Terminal Position Assurance (TPA) Retainer, 5 Circuits
Component Type	Terminal Position Assurance (TPA)
Product Name	N/A
UPC	756054397350

Electrical

Current - Maximum per Contact	4.0A
-------------------------------	------

Physical

Circuits (Loaded)	5
Circuits (maximum)	5
Color - Resin	Natural
Material - Resin	Nylon
Net Weight	282.700/mg
Number of Rows	1
Packaging Type	Bag
Temperature Range - Operating	-25° to +85°C

Mates With / Use With

Use with Part(s)

Description	Part Number
3.30mm Pitch Wire-to-Board Receptacle Housings	<u>51284</u>

This document was generated on Apr 22, 2026