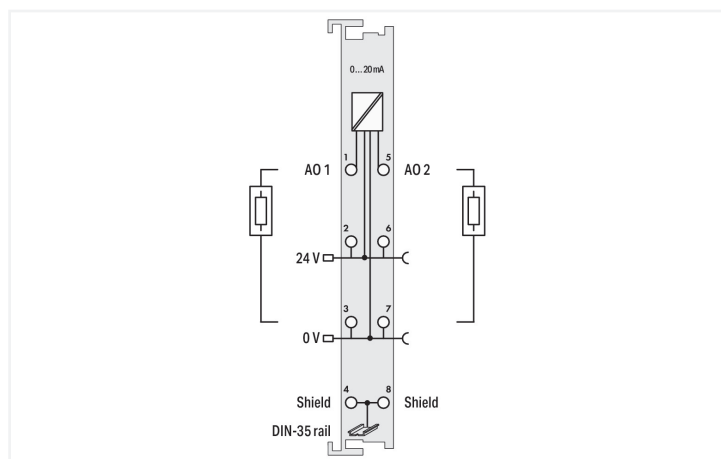
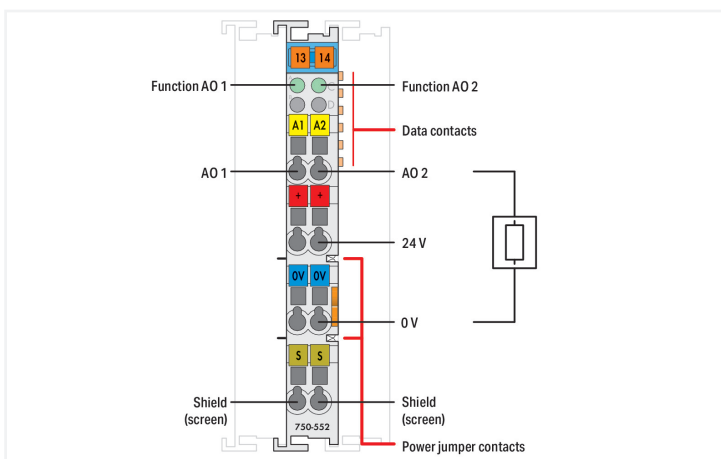


Color: ■ light gray



This analog output module generates standard 0–20 mA signals.  
 The output signal is electrically isolated and transmitted with a resolution of 12 bits.  
 Power is derived from the field side.

### Technical data

|   |  |
|---|--|
| Number of analog outputs                                | 2  |
| Total number of channels (module)                       | 2  |
| Signal type   | Current  |
| Signal type (current)                                   | 0 ... 20 mADC  |
| Actuator connection                                     | 2 x (2-wire)   |
| Resolution [bit]  | 12 bits  |
| Data width  | 2 x 16-bit data; 2 x 8-bit control/status (optional) |
| Load impedance (current output)                         | ≤ 600 Ω  |
| Conversion time (typ.)                                  | 2 ms   |
| Output error, reference temperature                     | 25 °C  |
| Output error, deviation (max.) of the upper-range value | 0.1 %  |
| Temperature error (max.) of the output range value      | 0.01 %/K   |
| Linearity   | ±10 μA   |
| Supply voltage (system)                                 | 5 VDC; via data contacts                             |
| Current consumption (5 V system supply)                 | 70 mA  |

### Technical data

|  |  |
|--|--|
| Supply voltage (field)                   | 24 VDC (-25 ... +30 %); via power jumper contacts (power supply via blade contact; transmission (field side supply voltage only) via spring contact) |
| Isolation                                | 500 V system/field   |
| Indicators                               | LED (A, C) green: Function AO 1, AO 2  |
| Number of incoming power jumper contacts | 2  |
| Number of outgoing power jumper contacts | 2  |

### Connection Data

|                                 |  |
|---------------------------------|--|
| Connection technology: I/O      | 8 x CAGE CLAMP®                              |
| Connectable conductor materials | Copper                                       |
| Connection type                 | Inputs/outputs                               |
| Solid conductor                 | 0.08 ... 2.5 mm <sup>2</sup> / 28 ... 14 AWG |
| Fine-stranded conductor         | 0.08 ... 2.5 mm <sup>2</sup> / 28 ... 14 AWG |
| Strip length                    | 8 ... 9 mm / 0.31 ... 0.35 inches            |

### Physical data

|                                   |                        |
|-----------------------------------|------------------------|
| Width                             | 12 mm / 0.472 inches   |
| Height                            | 100 mm / 3.937 inches  |
| Depth                             | 69.8 mm / 2.748 inches |
| Depth from upper-edge of DIN-rail | 62.6 mm / 2.465 inches |

### Mechanical data

|                     |             |
|---------------------|-------------|
| Mounting type       | DIN-35 rail |
| Pluggable connector | fixed       |

### Material data

|                    |                              |
|--------------------|------------------------------|
| Color              | light gray                   |
| Housing material   | Polycarbonate; polyamide 6.6 |
| Fire load          | 0.709 MJ                     |
| Weight             | 50 g                         |
| Conformity marking | CE                           |

### Environmental requirements

|  |  |
|--|--|
| Ambient temperature (operation)  | 0 ... +55 °C   |
| Ambient temperature (storage)  | -40 ... +85 °C   |
| Protection type  | IP20   |
| Pollution degree   | 2 per IEC 61131-2  |
| Operating altitude   | 0 ... 2000 m / 0 ... 6562 ft   |
| Mounting position  | Horizontal left, horizontal right, horizontal top, horizontal bottom, vertical top and vertical bottom |
| Relative humidity (without condensation)   | 95 %   |
| Vibration resistance   | 4g per IEC 60068-2-6   |
| Shock resistance   | 15g per IEC 60068-2-27   |
| EMC immunity to interference   | per EN 61000-6-2, marine applications  |
| EMC emission of interference   | per EN 61000-6-4, marine applications  |
| Exposure to pollutants   | per IEC 60068-2-42 and IEC 60068-2-43  |
| Permissible H <sub>2</sub> S contaminant concentration at a relative humidity 75 % | 10 ppm   |
| Permissible SO <sub>2</sub> contaminant concentration at a relative humidity 75 %  | 25 ppm   |

### Commercial data

|                       |                 |
|-----------------------|-----------------|
| Product Group         | 15 (I/O System) |
| PU (SPU)              | 1 pcs           |
| Packaging type        | Box             |
| Country of origin     | DE              |
| GTIN                  | 4045454393625   |
| Customs tariff number | 85389099990     |

### Product Classification

|             |                      |
|-------------|----------------------|
| UNSPSC      | 32101505             |
| eCl@ss 10.0 | 27-24-26-01          |
| eCl@ss 9.0  | 27-24-26-01          |
| ETIM 9.0    | EC001596             |
| ETIM 10.0   | EC001596             |
| ECCN        | NO US CLASSIFICATION |

### Environmental Product Compliance

|   |   |
|---|---|
| CAS-No.                                   | 1303-86-2<br>1317-36-8<br>7439-92-1       |
| REACH Candidate List Substance            | Diboron trioxide<br>Lead<br>Lead monoxide |
| RoHS Compliance Status                    | Compliant,With Exemption                  |
| RoHS Exemption                            | 6(c)<br>7(a)<br>7(c)-I<br>7(c)-II         |
| SCIP notification number (Austria)        | 1b66dc9e-0cfc-415c-bee8-183992fe426d      |
| SCIP notification number (Belgium)        | 36c85a76-dae8-4355-ad13-8713fcdaa532      |
| SCIP notification number (Bulgaria)       | c5582999-f3de-4322-afcd-2492bbcb897c      |
| SCIP notification number (Czech Republic) | 7a16622e-3968-4d5d-89fe-2c38c9fdceee      |
| SCIP notification number (Denmark)        | e3ab3fa8-7433-4bd6-a063-1f3fb1dc23a1      |
| SCIP notification number (Finland)        | b87ff1e0-0e9f-49d0-8e28-5ee19f15b12d      |
| SCIP notification number (France)         | cb0e0dd8-d078-4f13-b97a-436156135a55      |
| SCIP notification number (Germany)        | 313b80d6-7d78-4a35-9841-45734e5100b4      |
| SCIP notification number (Hungary)        | d8576ecd-ceff-4ac4-9ab1-fa98b8ac7775      |
| SCIP notification number (Italy)          | ed1c3e5b-42fc-46a6-a077-f945cdc89b3b      |
| SCIP notification number (Netherlands)    | aadcc603-a499-469e-a8e2-7aa185967a88      |
| SCIP notification number (Poland)         | a5f2d109-9a80-4cc6-9163-4520664ccf20      |
| SCIP notification number (Romania)        | f0f3fe48-f884-4770-8fec-5921c2842530      |
| SCIP notification number (Sweden)         | a1c552b4-7d57-412d-bf1e-f6f83fca3187      |

### Approvals / Certificates

#### General approvals



| Approval                                | Standard               | Certificate Name    |
|---|------------------------|---------------------|
| EAC<br>GZO Almaty Standart              | TP TC 020/2011         | EAC CoC 03083       |
| KC<br>National Radio Research<br>Agency | Article 58-2, Clause 3 | MSIP-REM-W43-AOM750 |

#### General approvals

|  |        |         |
|--|--------|---------|
| UL<br>Underwriters Laboratories<br>Inc. (ORDINARY LOCATIONS) | UL 508 | E175199 |
|--|--------|---------|

Declarations of conformity and manufacturer's declarations

| Approval   | Standard | Certificate Name |
|--|----------|------------------|
| EU-Declaration of Conformity<br>WAGO GmbH & Co. KG | -        | -                |
| UK-Declaration of Conformity<br>WAGO GmbH & Co. KG | -        | -                |

Approvals for marine applications



| Approval  | Standard               | Certificate Name  |
|---|------------------------|-------------------|
| ABS<br>American Bureau of Shipping                    | -                      | 22-2219060        |
| BSH<br>Bundesamt fuer Seeschifffahrt und Hydrographie | -                      | 1104              |
| BV<br>Bureau Veritas S.A.                             | -                      | 13453/E0 BV       |
| DNV<br>DNV GL SE                                      | DNV-CG-0339, Aug. 2021 | TAA0000194        |
| KR<br>Korean Register of Shipping                     | -                      | KR HMB05880-AC001 |
| LR<br>Lloyds Register EMEA                            | -                      | LR22180952TA      |
| PRS<br>Polski Rejestr Statków                         | -                      | TE/1101/880590/23 |
| RINA<br>RINA Germany GmbH                             | -                      | ELE343521XG001    |

Approvals for hazardous areas



| Approval   | Standard    | Certificate Name                           |
|--|-------------|--|
| ATEX<br>TUEV Nord Cert GmbH                                | EN 60079-0  | TUEV14ATEX148929X (II 3 G Ex ec IIC T4 Gc) |
| CCCEX<br>CQST/CNEX   | CNCA-C23-01 | 2020312310000213 (Ex ec IIC T4 Gc)         |
| INMETRO<br>TÜV Rheinland do Brasil Ltda.                   | IEC 60079-0 | TÜV 12.1297 X                              |
| UKEx<br>WAGO GmbH & Co. KG                                 | EN 60079-0  | UKCA_WA GO22UKEX003X_ec                    |
| UL<br>Underwriters Laboratories Inc. (HAZARDOUS LOCATIONS) | UL 121201   | E198726                                    |

Downloads

Environmental Product Compliance

| Compliance Search                                   |
|---|
| Environmental Product Compliance<br>750-552/000-200 |

## Documentation

| Manual                           |         |                   |  |
|----------------------------------|---------|-------------------|--|
| System Manual Series 750/753     |         |                   |  |
| Product Manual 2-channel, 0-20mA | V 1.2.0 | pdf<br>2009.36 KB |  |

| System Description                                      |  |                  |  |
|---|--|------------------|--|
| 750/753 Series I/O-System – General Product Information |  | pdf<br>953.35 KB |  |
| Overview on WAGO-I/O-SYSTEM 750 approvals               |  | pdf<br>770.48 KB |  |

| Bid Text        |            |                  |  |
|-----------------|------------|------------------|--|
| 750-552/000-200 | 19.02.2019 | xml<br>4.30 KB   |  |
| 750-552/000-200 | 05.03.2019 | docx<br>16.99 KB |  |

| Instruction Leaflet             |            |                  |  |
|---------------------------------|------------|------------------|--|
| CCC Ex (Additional information) | 26.04.2023 | pdf<br>159.76 KB |  |

## CAD/CAE-Data

| CAD data                     |  |
|------------------------------|--|
| 2D/3D Models 750-552/000-200 |  |

| CAE data                          |  |
|-----------------------------------|--|
| EPLAN Data Portal 750-552/000-200 |  |
| WSCAD Universe 750-552/000-200    |  |
| ZUKEN Portal 750-552/000-200      |  |

## Device Files

| Device Driver                                      |                       |                   |  |
|--|-----------------------|-------------------|--|
| WAGO USB Service Kabel Treiber / Serie 750 und 857 | 6.5.3.0<br>10.09.2014 | zip<br>4721.96 KB |  |

## 1 Compatible Products

### 1.1 Optional Accessories

#### 1.1.1 DIN-rail

##### 1.1.1.1 Mounting accessories



**Item No.: 210-196**  
Aluminum carrier rail; 35 x 8.2 mm; 1.6 mm thick; 2 m long; unslotted; similar to EN 60715; silver-colored



**Item No.: 210-198**  
Copper carrier rail; 35 x 15 mm; 2.3 mm thick; 2 m long; unslotted; according to EN 60715; copper-colored



**Item No.: 210-197**  
Steel carrier rail; 35 x 15 mm; 1.5 mm thick; 2 m long; slotted; similar to EN 60715; silver-colored



**Item No.: 210-114**  
Steel carrier rail; 35 x 15 mm; 1.5 mm thick; 2 m long; unslotted; similar to EN 60715; silver-colored



**Item No.: 210-118**  
Steel carrier rail; 35 x 15 mm; 2.3 mm thick; 2 m long; unslotted; according to EN 60715; silver-colored



**Item No.: 210-115**  
Steel carrier rail; 35 x 7.5 mm; 1 mm thick; 2 m long; slotted; according to EN 60715; "Hole width 18 mm; silver-colored



**Item No.: 210-112**  
Steel carrier rail; 35 x 7.5 mm; 1 mm thick; 2 m long; slotted; according to EN 60715; "Hole width 25 mm; silver-colored



**Item No.: 210-113**  
Steel carrier rail; 35 x 7.5 mm; 1 mm thick; 2 m long; unslotted; according to EN 60715; silver-colored

### 1.1.2 Marking

#### 1.1.2.1 Group marker carrier



**Item No.: 750-106**  
Group marker carrier

#### 1.1.2.2 Marker



**Item No.: 750-100**  
Marker card; as a DIN A4 sheet; plain

**Item No.: 2009-145/000-006**  
Mini-WSB Inline; for Smart Printer; 1700 pieces on roll; stretchable 5 - 5.2 mm; plain; snap-on type; blue

**Item No.: 2009-145/000-007**  
Mini-WSB Inline; for Smart Printer; 1700 pieces on roll; stretchable 5 - 5.2 mm; plain; snap-on type; gray

**Item No.: 2009-145/000-023**  
Mini-WSB Inline; for Smart Printer; 1700 pieces on roll; stretchable 5 - 5.2 mm; plain; snap-on type; green

**Item No.: 2009-145/000-012**  
Mini-WSB Inline; for Smart Printer; 1700 pieces on roll; stretchable 5 - 5.2 mm; plain; snap-on type; orange

**Item No.: 2009-145/000-005**  
Mini-WSB Inline; for Smart Printer; 1700 pieces on roll; stretchable 5 - 5.2 mm; plain; snap-on type; red

**Item No.: 2009-145/000-024**  
Mini-WSB Inline; for Smart Printer; 1700 pieces on roll; stretchable 5 - 5.2 mm; plain; snap-on type; violet

**Item No.: 2009-145**  
Mini-WSB Inline; for Smart Printer; 1700 pieces on roll; stretchable 5 - 5.2 mm; plain; snap-on type; white

**Item No.: 2009-145/000-002**  
Mini-WSB Inline; for Smart Printer; 1700 pieces on roll; stretchable 5 - 5.2 mm; plain; snap-on type; yellow

**Item No.: 248-501/000-006**  
Mini-WSB marking card; as card; not stretchable; plain; snap-on type; blue

**Item No.: 248-501/000-007**  
Mini-WSB marking card; as card; not stretchable; plain; snap-on type; gray

**Item No.: 248-501/000-023**  
Mini-WSB marking card; as card; not stretchable; plain; snap-on type; green



**Item No.: 248-501/000-017**  
Mini-WSB marking card; as card; not stretchable; plain; snap-on type; light green

**Item No.: 248-501/000-012**  
Mini-WSB marking card; as card; not stretchable; plain; snap-on type; orange

**Item No.: 248-501/000-005**  
Mini-WSB marking card; as card; not stretchable; plain; snap-on type; red

**Item No.: 248-501/000-024**  
Mini-WSB marking card; as card; not stretchable; plain; snap-on type; violet



**Item No.: 248-501**  
Mini-WSB marking card; as card; not stretchable; plain; snap-on type; white

**Item No.: 248-501/000-002**  
Mini-WSB marking card; as card; not stretchable; plain; snap-on type; yellow



#### 1.1.2.3 Marker carrier



**Item No.: 750-103**  
Group marker carrier

### 1.1.3 Shield termination

#### 1.1.3.1 Shield clamping saddles



**Item No.: 790-108**  
Shield clamping saddle; 11 mm wide; diameter of compatible conductor; 3 ... 8 mm



**Item No.: 790-208**  
Shield clamping saddle; 12.4 mm wide; 3 ... 8 mm



**Item No.: 790-116**  
Shield clamping saddle; 19 mm wide; diameter of compatible conductor; 7 ... 16 mm



**Item No.: 790-216**  
Shield clamping saddle; 21.8 mm wide; 6 ... 16 mm



**Item No.: 790-124**  
Shield clamping saddle; 27 mm wide; diameter of compatible conductor; 6 ... 24 mm



**Item No.: 790-220**  
Shield clamping saddle; 30 mm wide; 6 ... 20 mm



**Item No.: 790-140**  
Shield clamping saddle; diameter of compatible conductor

### 1.1.4 Supply module

#### 1.1.4.1 Supply module



**Item No.: 750-612**

Power Supply; 0 ... 230 V AC/DC

**Item No.: 750-602**

Power Supply; 24 VDC

**Item No.: 750-601**

Power Supply; 24 VDC; fuse holder

**Item No.: 750-610**

Power Supply; 24 VDC; fuse holder; Diagnostics

### 1.1.5 System enclosure

#### 1.1.5.1 System enclosure



**Item No.: 850-825**

IP65 enclosure; Aluminium (RAL 7032); WxHxD (160x100x160 mm); 9 x M12, 4 x M20

**Item No.: 850-826**

IP65 enclosure; Aluminium (RAL 7032); WxHxD (240x100x160 mm); 4 x M20, 4 x M16, 14 x M12 cable grip

**Item No.: 850-827**

IP65 enclosure; Aluminium (RAL 7032); WxHxD (320x100x160 mm); 4 x M20, 8 x M16, 17 x M12 cable grip

**Item No.: 850-828**

IP65 enclosure; Aluminium (RAL 7032); WxHxD (480x100x160 mm); 4 x M20, 10 x M16, 35 x M12 cable grip



**Item No.: 850-826/002-000**

IP65 enclosure; Aluminium (RAL 7035); WxHxD (240x100x160 mm); 4 x M20, 4 x M16, 14 x M12 cable grip

**Item No.: 850-827/002-000**

IP65 enclosure; Aluminium (RAL 7035); WxHxD (320x100x160 mm); 4 x M20, 8 x M16, 17 x M12 cable grip

**Item No.: 850-828/002-000**

IP65 enclosure; Aluminium (RAL 7035); WxHxD (480x100x160 mm); 4 x M20, 10 x M16, 35 x M12 cable grip

**Item No.: 850-834**

IP65 enclosure; Polyester (RAL 7032); WxHxD (164x100x164 mm); 9 x M12, 4 x M20



**Item No.: 850-835**

IP65 enclosure; Polyester (RAL 7032); WxHxD (244x100x164 mm); 4 x M20, 4 x M16, 14 x M12 cable grip

**Item No.: 850-836**

IP65 enclosure; Polyester (RAL 7032); WxHxD (324x100x164 mm); 4 x M20, 8 x M16, 17 x M12 cable grip

**Item No.: 850-814/002-000**

IP65 enclosure; Sheet steel (RAL 7035); WxHxD (200x120x200 mm); without flange plate

**Item No.: 850-815/002-000**

IP65 enclosure; Sheet steel (RAL 7035); WxHxD (300x120x200 mm); without flange plate



**Item No.: 850-816/002-000**

IP65 enclosure; Sheet steel (RAL 7035); WxHxD (400x120x200 mm); without flange plate

**Item No.: 850-817/002-000**

IP65 enclosure; Sheet steel (RAL 7035); WxHxD (600x120x200 mm); without flange plate