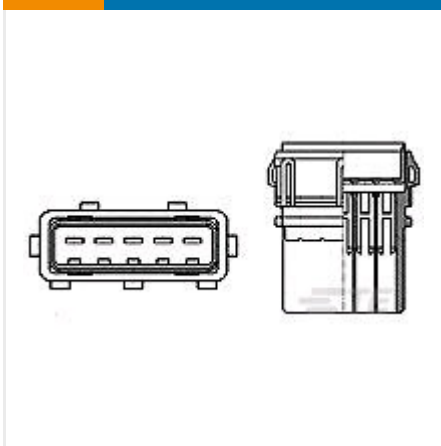




**CONNECTORS**

**AUTOMOTIVE, TRUCK, BUS, & OFF-ROAD HOUSINGS**



✓ Active

TE CONNECTIVITY (TE)

## ASSY 5 POSN JPT TAB

Junior Power Timer , Timer Connector System

444208-1

TE Internal Number: 444208-1

EU RoHS Compliant

EU ELV Compliant

**Connector Style** Housing for male terminals

**Mating Tab Width** 2.8 mm [.11 in]

**Connector System** Wire-to-Wire

**Number of Positions** 5

**Centerline (Pitch)** 5 mm [.197 in]

[↓ PRODUCT DRAWING](#)  
English

[↓ 3D PDF](#)

### DOCUMENTATION

Product Drawings

#### **Housing Assy 5p Jr. Power Timer Tab**

PDF (TIFF AVAILABLE)

English

CAD Files

**3D PDF**

PDF

3D

#### **Customer View Model**

2D\_DXF.ZIP

English

## Customer View Model

3D\_IGS.ZIP

English

## Customer View Model

3D\_STP.ZIP

English

## FEATURES



Please review product documents or [contact us](#) for the latest agency approval information.

Please Note: Use the Product Drawing for all design activity.

### Product Type Features

**Connector Style** Housing for male terminals

**Connector System** Wire-to-Wire

**Sealable** Yes

**Hybrid Connector** No

**Primary Locking Feature** Integrated in Housing

**Strain Relief** No

### Configuration Features

**Number of Positions** 5

**Number of Rows** 1

### Electrical Characteristics

**Nominal Voltage Architecture (V)** 12

**Operating Voltage (VDC)** 12

### Body Features

**Color** Black

**Cable Exit Angle** 180°

**Body Material** PA GF

### Contact Features

**Mating Tab Width** 2.8 mm [.11 in]

### Mechanical Attachment

**Mounting Feature** Yes

**Terminal Position Assurance** Yes

**Polarized** Yes

### Housing Features

**Centerline (Pitch)** 5 mm [.197 in]

### Dimensions

**Width** 37.5 mm [ 1.476 in ]  
**Height** 14.6 mm [ .574 in ]  
**Length** 31.7 mm [ 1.248 in ]

---

#### Usage Conditions

**Operating Temperature Range** -40 – 80 °C [ -40 – 176 °F ]

---

#### Operation/Application

**Circuit Application** Signal

---

#### Industry Standards

**Degree of Protection** Other  
**UL Flammability Rating** UL 94-HB

---

#### Packaging Features

**Packaging Method** Box

---

#### Other

**Connector Position Assurance Capable** No  
**Serviceable** Yes

---

## PRODUCT COMPLIANCE



#### Statement of Compliance

**Statement of Compliance**

PDF

---