

TACT Switch™ Surface Mount Type

7.5×7.0mm (Surface Mount)

SKRR Series

Long-life type with a height of 0.6mm, capable of 5 million operations.



- Series type: Sharp feeling type
- Absolute Maximum Ratings: 50mA 12V DC
- Rating (min.): 10μA 1V DC

Applications: Game: Home handheld consoles, Virtual/augmented reality

Product List

Products No.	Operating direction	Operating force (N)	Travel (mm)	Operating life (cycles)	Initial contact resistance	Dimensions (W×D×H) (mm)	Water-proof	Dust-proof	Automotive	Drawing No.
SKRRAAE010	Top push	1.0	0.25	5,000,000	500mΩ max.	7.5×7.0×0.6	—	—	—	1
SKRRABE010	Top push	1.6	0.25	5,000,000	500mΩ max.	7.5×7.0×0.6	—	—	—	
SKRRACE010	Top push	2.0	0.25	5,000,000	500mΩ max.	7.5×7.0×0.6	—	—	—	

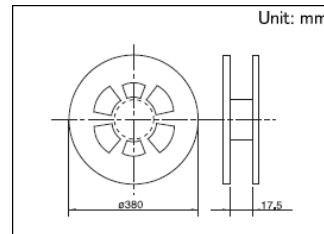
⚠ Note

1. This catalog shows only outline specifications. When using the products, please obtain formal specifications for supply.
2. Please place purchase orders for taping products per minimum order unit (1 reel or a case).

Packing Specifications

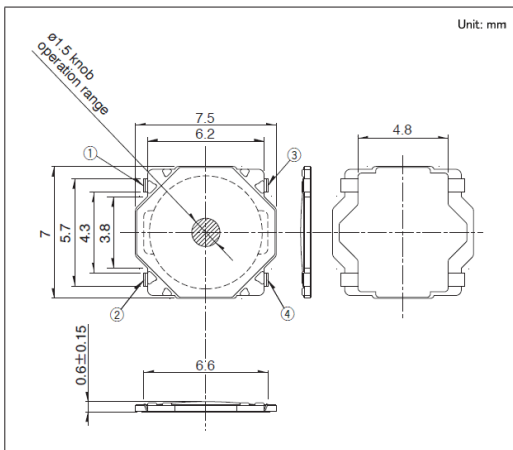
Taping

Number of packages (pcs.)			Tape width (mm)	Export package measurements (mm)
1 reel	1 case / Japan	1 case / export packing		
7,000	56,000	56,000	16	395 x 395 x 205

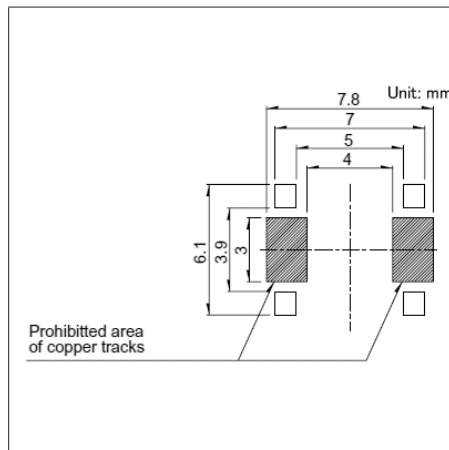


Drawing No. 1

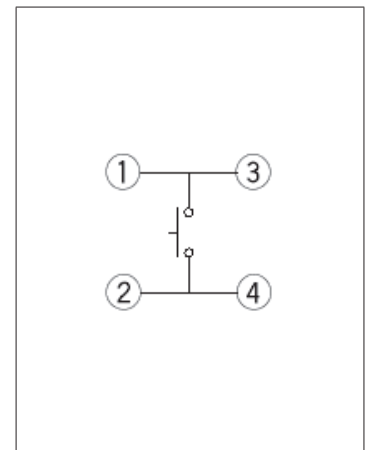
Dimensions



Land Dimensions



Circuit Diagram



Viewed from mounting face.