

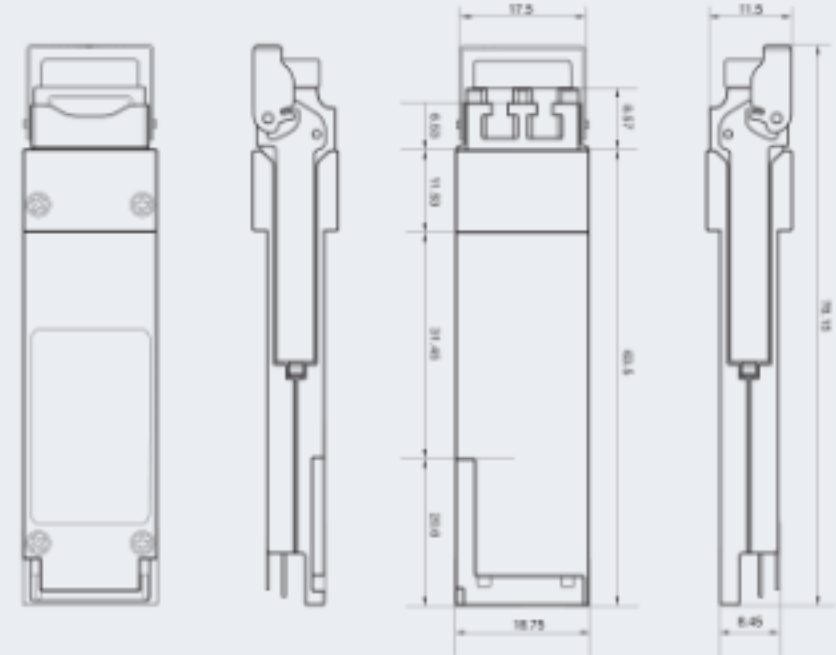
QSFP-40G-LR4-S: CISCO COMPATIBLE PART

QSFP-40G-LR4-S-IO: Integra Part

Product Description

QSFP+, 1310nm, LR4 SMF 10km, 40G DDM, Cisco QSFP-40G-LR4-S Compatible

Integra manufactures the highest quality QSFP transceivers in the industry, designed to be 100% interoperable with all OEM platforms. We're the first optics manufacturer in the Western Hemisphere to invest in high-speed robots, allowing us to scale our operations to handle virtually any order, large or small, and ensure every transceiver is correctly coded and tested 100% of the time.



 [DOWNLOAD DATASHEET](#)

 [REQUEST A QUOTE](#)

Related Products

If you're interested in this component, you might also want to search for these related products, accessories, or our Smart Coder and Smart Coder Package

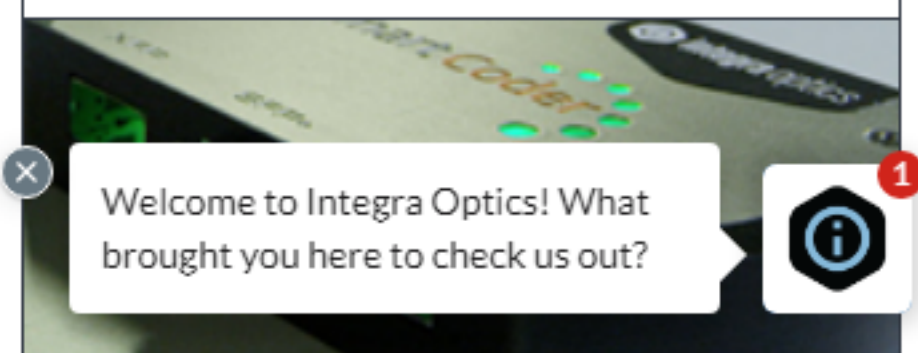
Products

- [CFP-100G-ER4-IO](#)
- [CFP-100G-LR4-IO](#)
- [CFP-100G-LR4.3C20-IO](#)
- [CFP-100G-SR10-IO](#)
- [CFP-40G-LR4-IO](#)
- [CS.3C20-IO](#)
- [View more](#)

Top Accessories

- [IFC-CCR125](#)
- [OTE-OPM-MCH](#)
- [OTE-CPM-18](#)
- [OTE-DPM-48-100](#)

Smart Coder



Welcome to Integra Optics! What brought you here to check us out?

Giving network engineers and field techs the power to quickly and easily reconfigure transceivers in the field for any network hardware.