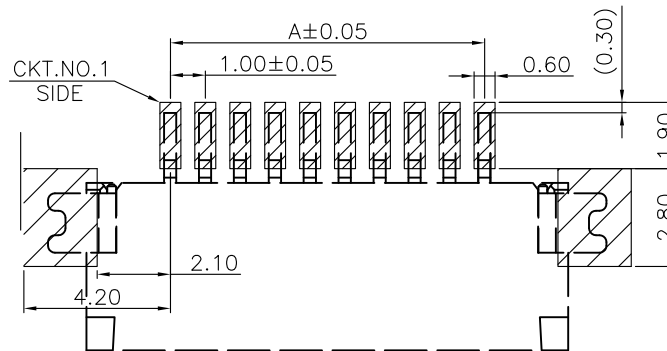
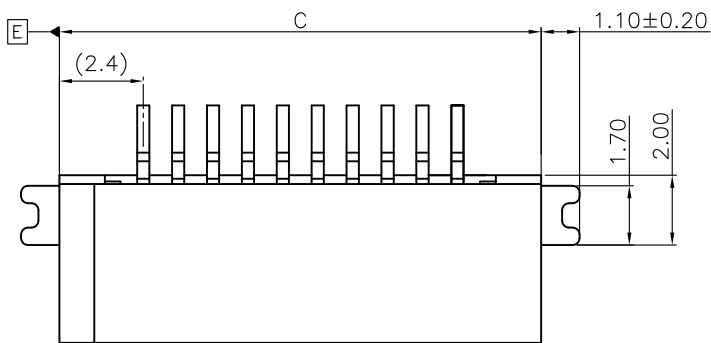
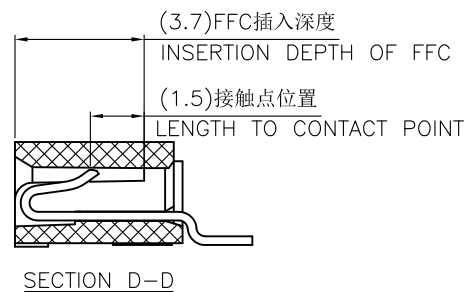
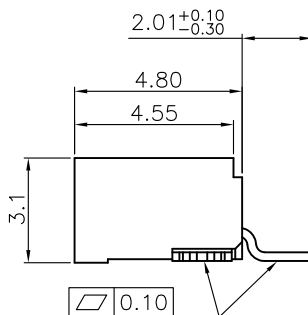
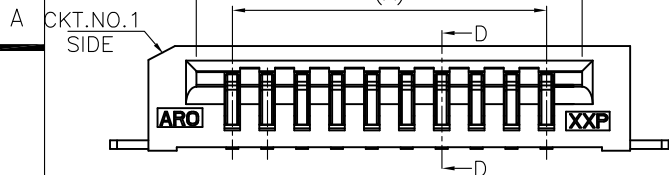


This document is the property of Amphenol Aorora Corporation and is delivered on the express condition that it is not to be disclosed, reproduced or used, in whole or in part, for manufacture or sale by anyone other than Amphenol Aorora Corporation without its prior consent, & that no right is granted to disclose or to use any information in this document.

REV.	ECR/ECN No.	DESCRIPTION	DRAWN/DATE	CHECKED/DATE	APPROVED/DATE
A	/	NEW RELEASE	May 2017-12-08	Rain 2017-12-08	Hongkui.liu 2017-12-08
B	/	New gold-plated specification	May 2018-11-27	Rain 2018-11-27	Hongkui.liu 2018-11-27

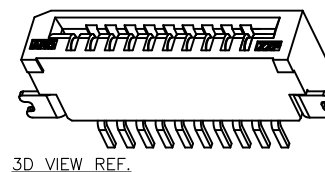
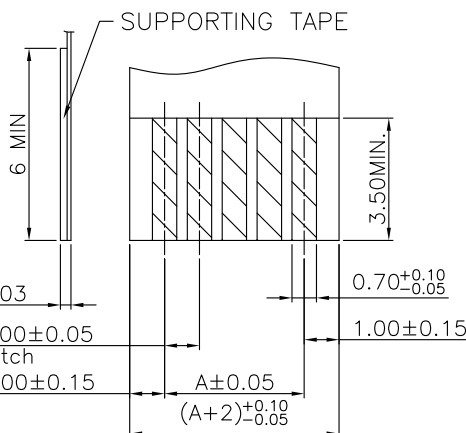
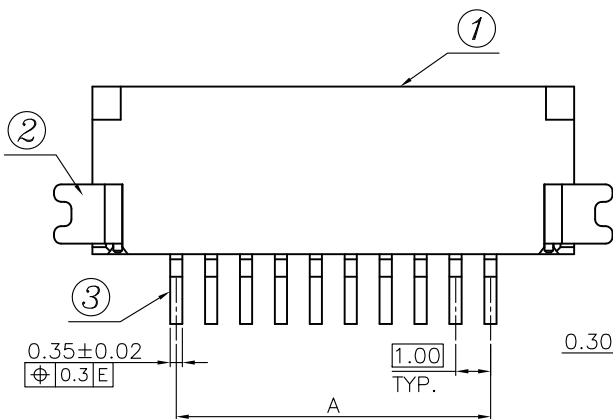


NOTE:
 1. ALL MATERIAL MUST BE COMPLY WITH SS-00259 OR RoHS.
 2. PART ON. LEGEND:
 F519-1A7*1-110**--E200
 NO. OF POSITIONS
 7A: 2~4μm TIN
 7Q: GOLD FLASH (1B)
 1A: LCP NATURAL



DIMENSION LIST:

NO. OF POS.	A	B	C	NO. OF POS.	A	B	C
3	2.0	4.05	6.8	17	16.0	18.05	20.8
4	3.0	5.05	7.8	18	17.0	19.05	21.8
5	4.0	6.05	8.8	19	18.0	20.05	22.8
6	5.0	7.05	9.8	20	19.0	21.05	23.8
7	6.0	8.05	10.8	21	20.0	22.05	24.8
8	7.0	9.05	11.8	22	21.0	23.05	25.8
9	8.0	10.05	12.8	23	22.0	24.05	26.8
10	9.0	11.05	13.8	24	23.0	25.05	27.8
11	10.0	12.05	14.8	25	24.0	26.05	28.8
12	11.0	13.05	15.8	26	25.0	27.05	29.8
13	12.0	14.05	16.8	27	26.0	28.05	30.8
14	13.0	15.05	17.8	28	27.0	29.05	31.8
15	14.0	16.05	18.8	29	28.0	30.05	32.8
16	15.0	17.05	19.8	30	29.0	31.05	33.8



UNLESS OTHERWISE SPECIFIED TOLERANCES	
X. ±0.50	X. ° ± 1'
X.X ±0.30	X.X ° ± 0.5'
X.XX ±0.20	X.XX ° ± 0.5'
X.XXX ±0.10	X.XXX ° ± 1'
LINEAR DIMS	ANGLES DIMS
P/N: F519-1A7*1-110**--E200	
MATERIAL	SEE NOTES
FINISHED	SEE NOTES

ANGLE OF PROJECTION	
Customer Drw	
DRAWN DATE	May 2018-11-27
DESIGN DATE	May 2018-11-27
CHECKED DATE	Rain 2018-11-27
APPROVED DATE	Hongkui.liu 2018-11-27

Amphenol AORORA
 Amphenol Aorora Technology (Huizhou) Co.,Ltd

TITLE:
 Assembly Drawing For FFC/FPC P1.0 NON-ZIF
 HORIZONTAL TYPE SMT SERIES (BOTTOM CONTACT)

SIZE DWG NO. A4 A-S0472

SCALE 1:1 UNIT: mm SHEET 1 OF 1