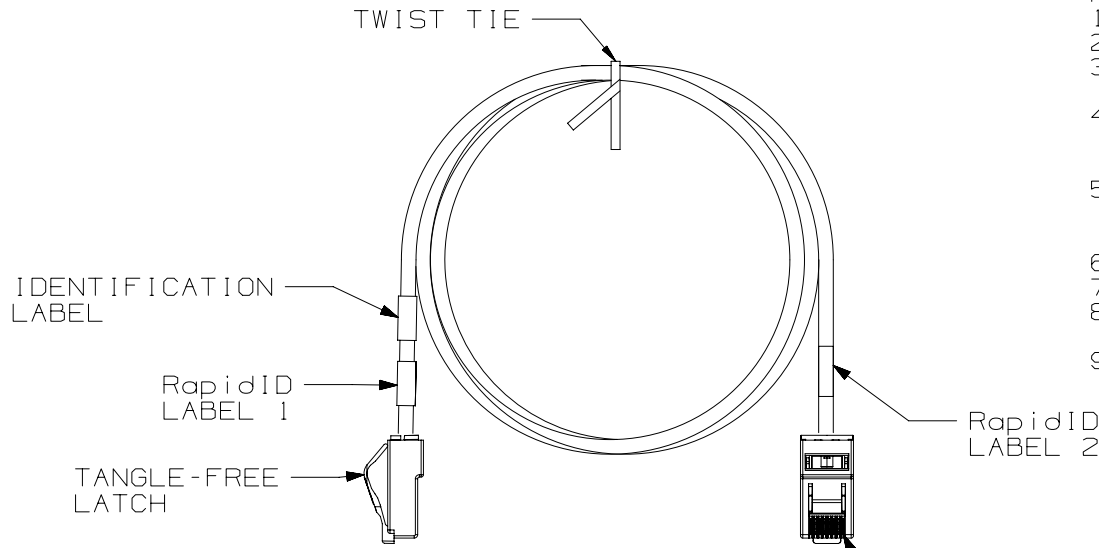


THIS COPY IS PROVIDED ON A RESTRICTED BASIS AND IS NOT TO BE USED IN ANY WAY DETRIMENTAL TO THE INTERESTS OF PANDUIT CORP.

NOTES:

1. CATEGORY 5e UTP 28AWG CAT5e PATCH CORDS
2. c(UL)us LISTED, FILE NUMBER E129886
3. TERMINATED WITH (8 POSITION) MODULAR PLUGS AT BOTH ENDS PER T568A.
4. CONSTRUCTED WITH 28AWG STRANDED CONDUCTOR CAT5e UTP HALOGEN FREE (CM/LSZH) PATCH CABLE.
5. MATERIALS:  
 PLUG: POLYCARBONATE  
 CONTACTS: GOLD PLATED PHOSPHOR BRONZE
6. NOMINAL CABLE DIAMETER IS 0.150 IN (3.80MM).
7. RoHS COMPLIANT
8. 100% FACTORY PERFORMANCE TESTED TO CAT 5e PATCH CORD LIMITS.
9. USE 28AWG CAT 5e JACK (CJT5E88TG\*\*) FOR FIELD TERMINATION OF EQUIPMENT CORDS.



LENGTH ≥ 0.5M

CABLE COLORS	** = COLOR
OFF WHITE	--
BLACK	BL
BLUE	BU
RED	RD
YELLOW	YL
GREEN	GR
ORANGE	OR
VIOLET	VL
GRAY	GY

SEE SHEET 3 FOR PATCH CORD LENGTHS AND PART NUMBERS

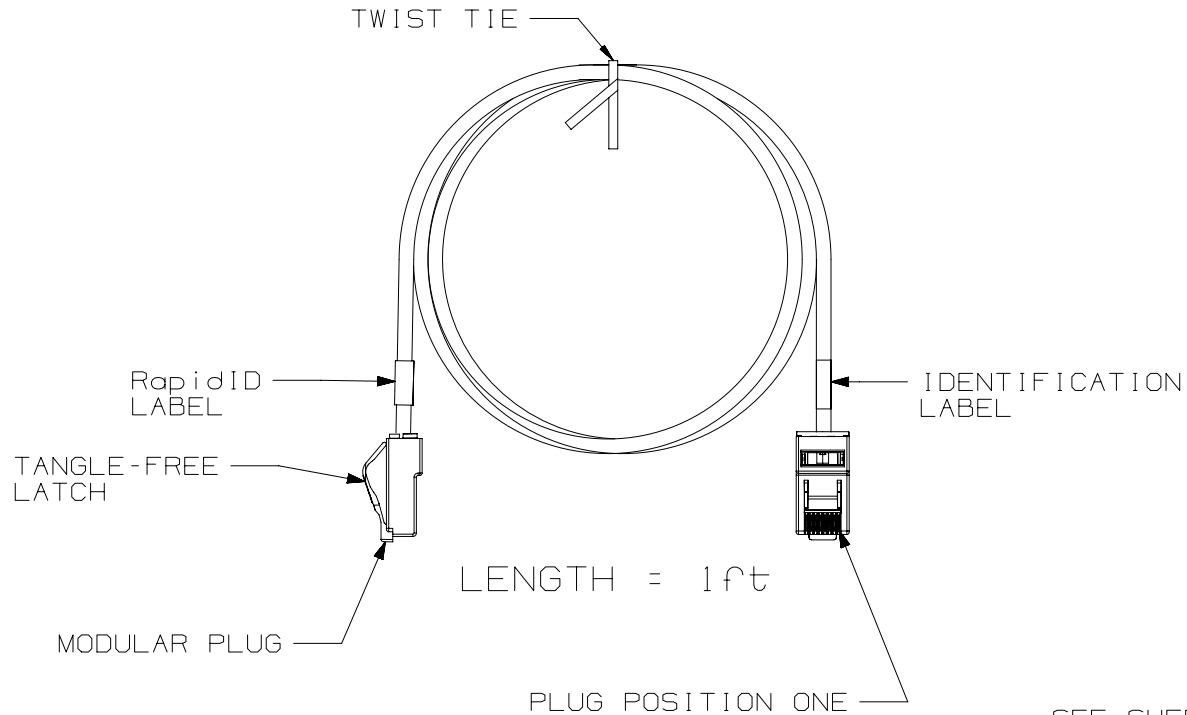
T568A WIRING SCHEME

PLUG POSITION	CABLE WIRE
1	WHITE GREEN
2	GREEN
3	WHITE ORANGE
4	BLUE
5	WHITE BLUE
6	ORANGE
7	WHITE BROWN
8	BROWN

PART NUMBER		UTP28CHXX**	
TITLE			
TX5e UTP 28AWG COPPER PATCH CORDS (CM/LSZH)			
CUSTOMER DRAWING			
ITEM REVISION NAME		11M215BB/02	
DATASET FILE NAME		11M215BB_DC02/02A	
		THIRD ANGLE PROJECTION	
MATERIAL		SEE NOTE 5	
DRAWING NUMBER		11M215BB-02	
REV	DATE	BY	CHK
02A	5-21-21	BJN	WFM
DATE	7-18-11	BY	WFM
BY	7-18-11	CHK	WFM
CHK	WFM	SCALE	NONE
APR	DESCRIPTION	ECN	SHEET 1 OF 3
DESCRIPTION	ADDED NEW SHEET 2 REVISED & REDRAWN PREVIOUS REVISIONS REMVD FOR CLARITY	ECN	A
ECN	11M215BB-02	SCALE	NONE

A-SIZE CUSTOMER

THIS COPY IS PROVIDED ON A RESTRICTED BASIS AND IS NOT TO BE USED IN ANY WAY DETRIMENTAL TO THE INTERESTS OF PANDUIT CORP.



SEE SHEET 3 FOR PATCH CORD LENGTHS AND PART NUMBERS

PART NUMBER		UTP28CHXX**	
TITLE		TX5e UTP 28AWG COPPER PATCH CORDS (CM/LSZH)	
ITEM REVISION NAME		CUSTOMER DRAWING	
DATASET FILE NAME		11M215BB-02	
		11M215BB_DC02/02A	
MATERIAL		SEE NOTE 5	
DRAWN BY		BJN	
DATE		7-19-11	
CHK		WFMI	
SCALE		NONE	
DRAWING NUMBER		11M215BB-02	
REV		02A	
DATE		5-21-21	
BY		BJN	
CHK		REFR	
APR		RWI	
DESCRIPTION		SEE SHEET 1 FOR REVISION HISTORY	
ECN		11M215BB-02	
THIRD ANGLE PROJECTION			
SIZE		A	
SHEET 2 OF 3			



A-SIZE CUSTOMER

2

1

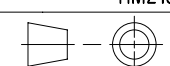
2

1

THIS COPY IS PROVIDED ON A RESTRICTED BASIS AND IS NOT TO BE USED IN ANY WAY DETRIMENTAL TO THE INTERESTS OF PANDUIT CORP.

TX5e UTP 28AWG  
PATCH CORDS

PANDUIT PART NUMBER	MIN. CABLE LENGTH	PANDUIT PART NUMBER	MIN. CABLE LENGTH
UTP28CH1**	1 FT.	UTP28CH0.5M**	0.5 METER
UTP28CH2**	2 FT.	UTP28CH1M**	1 METER
UTP28CH3**	3 FT.	UTP28CH1.5M**	1.5 METER
UTP28CH4**	4 FT.	UTP28CH2M**	2 METER
UTP28CH5**	5 FT.	UTP28CH2.5M**	2.5 METER
UTP28CH6**	6 FT.	UTP28CH3M**	3 METER
UTP28CH7**	7 FT.	UTP28CH3.5M**	3.5 METER
UTP28CH8**	8 FT.	UTP28CH4M**	4 METER
UTP28CH9**	9 FT.	UTP28CH4.5M**	4.5 METER
UTP28CH10**	10 FT.	UTP28CH5M**	5 METER
UTP28CH11**	11 FT.	UTP28CH5.5M**	5.5 METER
UTP28CH12**	12 FT.	UTP28CH6M**	6 METER
UTP28CH13**	13 FT.		
UTP28CH14**	14 FT.		
UTP28CH15**	15 FT.		
UTP28CH16**	16 FT.		
UTP28CH17**	17 FT.		
UTP28CH18**	18 FT.		
UTP28CH19**	19 FT.		
UTP28CH20**	20 FT.		

PART NUMBER		UTP28CHXX**	
TITLE			
TX5e UTP 28AWG COPPER PATCH CORDS (CM/LSZH)			
CUSTOMER DRAWING			
ITEM REVISION NAME		11M215BB/02	
DATASET FILE NAME		11M215BB_DC02/02A	
		THIRD ANGLE PROJECTION	
MATERIAL		SEE NOTE 5	
DRAWING NUMBER		11M215BB-02	
DRAWN BY	DATE	CHK	SCALE
BJN	7-18-11	WFMI	NONE
SHEET 3 OF 3			SIZE
			A

02A	5-21-21	BJN	REFR	RWI	SEEE SHEET 1 FOR REVISION HISTORY	11M215BB-02
REV	DATE	BY	CHK	APR	DESCRIPTION	ECN

B

B

A

A

A-SIZE CUSTOMER