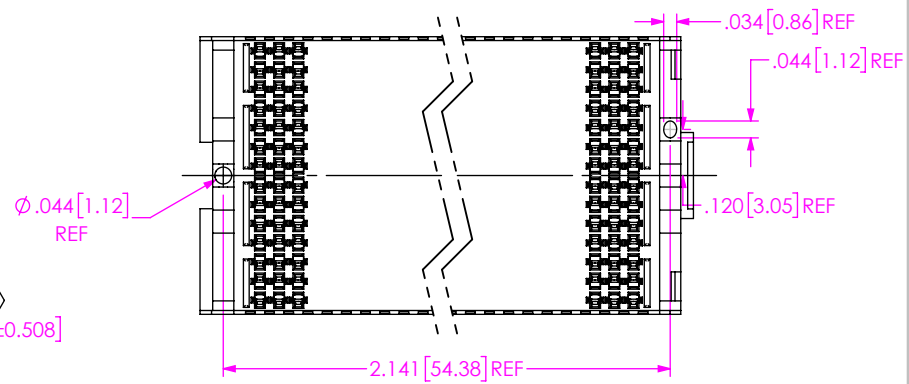
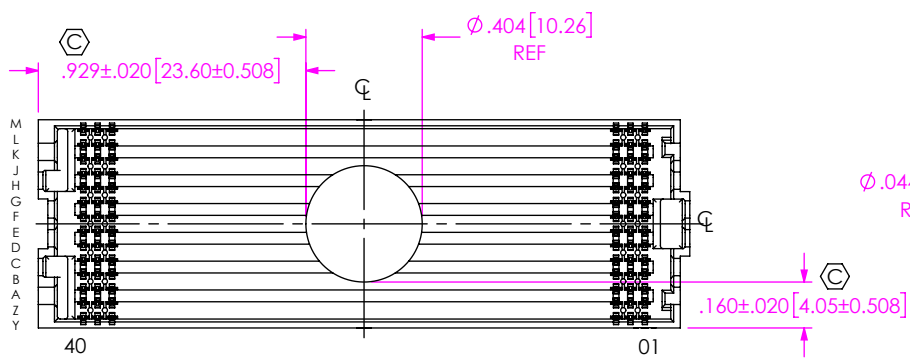
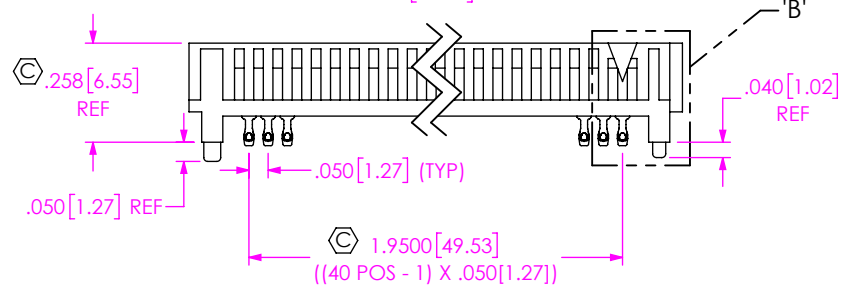
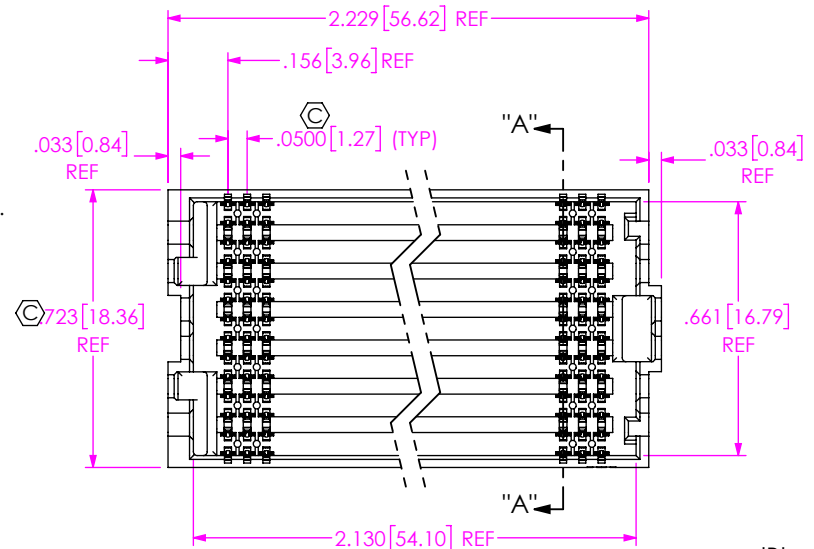
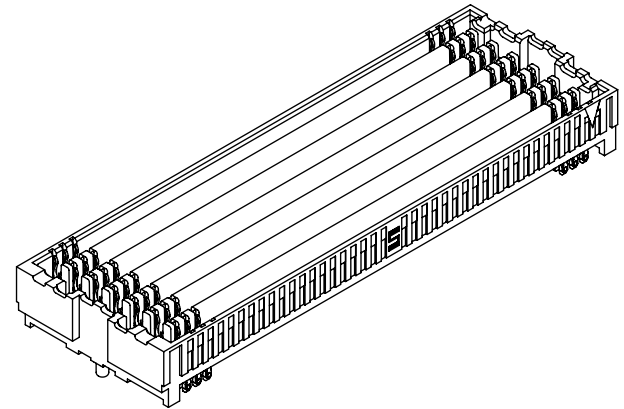


DO NOT SCALE FROM THIS PRINT

- NOTES:
1. VITA 57.4 CONNECTOR.
 2. Ⓢ REPRESENTS A CRITICAL DIMENSION.
 3. MINIMUM PUSHOUT FORCE: 0.50 LBS.
 4. NOTE DELETED
 5. NOTE DELETED
 6. NOTE DELETED
 7. ATTACH LABEL "SEAX-0001" TO EACH TAPE & REEL PACKAGE.
 8. NOTE DELETED
 9. NOTE DELETED
 10. MEASURED FIRST & LAST POSITIONS ONLY, ALL ROWS.
 11. NON-FUNCTIONAL VOIDING IN PLASTIC BODY TO BE AT SAMTEC'S DISCRETION.
 12. PART TO BE PACKAGED IN TAPE AND REEL.

ANY REV MADE TO THIS PRINT MUST HAVE AN UPDATED MKT PRINT

pb THIS PRODUCT MANUFACTURED WITH LEAD-FREE PROCESSING



PAD & VITA 57.4 DETAIL

UNLESS OTHERWISE SPECIFIED, DIMENSIONS ARE IN INCHES.
 TOLERANCES ARE:
 DECIMALS ANGLES
 .XX: ±.01 [0.3] 2°
 .XXX: ±.005 [0.13]
 .XXXX: ±.0020 [0.051]

PROPRIETARY NOTE
 THIS DOCUMENT CONTAINS CONFIDENTIAL AND PROPRIETARY INFORMATION AND ALL DESIGN, MANUFACTURING, REPRODUCTION, USE, PATENT RIGHTS AND SALES RIGHTS ARE EXPRESSLY RESERVED BY SAMTEC, INC. THIS DOCUMENT SHALL NOT BE DISCLOSED, IN WHOLE OR PART, TO ANY UNAUTHORIZED PERSON OR ENTITY NOR REPRODUCED, TRANSFERRED OR INCORPORATED IN ANY OTHER PROJECT IN ANY MANNER WITHOUT THE EXPRESS WRITTEN CONSENT OF SAMTEC, INC.



520 PARK EAST BLVD, NEW ALBANY, IN 47150
 PHONE: 812-944-6733 FAX: 812-948-5047
 e-Mail: info@SAMTEC.com code 55322

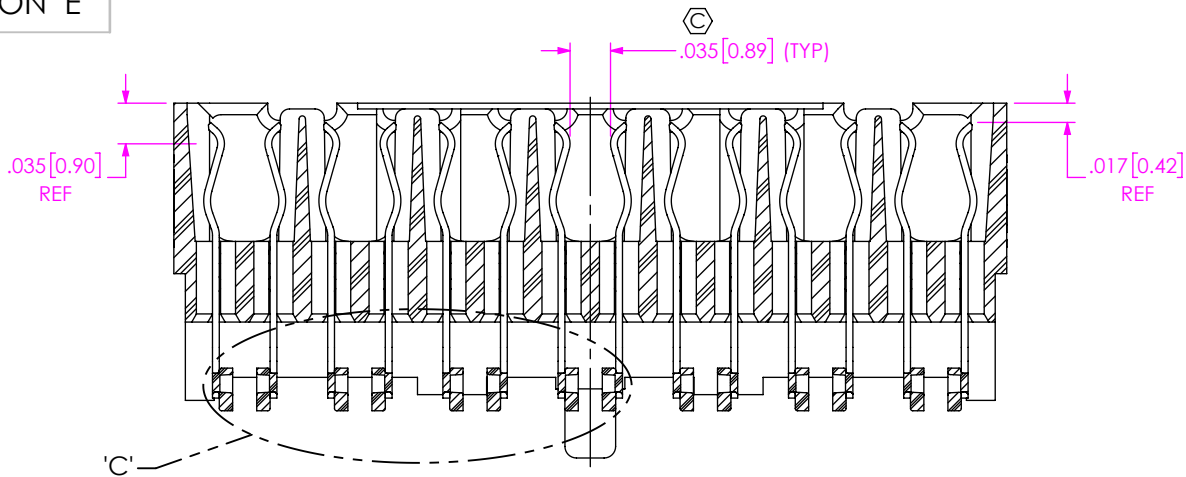
DO NOT SCALE DRAWING SHEET SCALE: 2:1

DESCRIPTION: 14 ROW .050 PITCH SOCKET ARRAY ASSM.

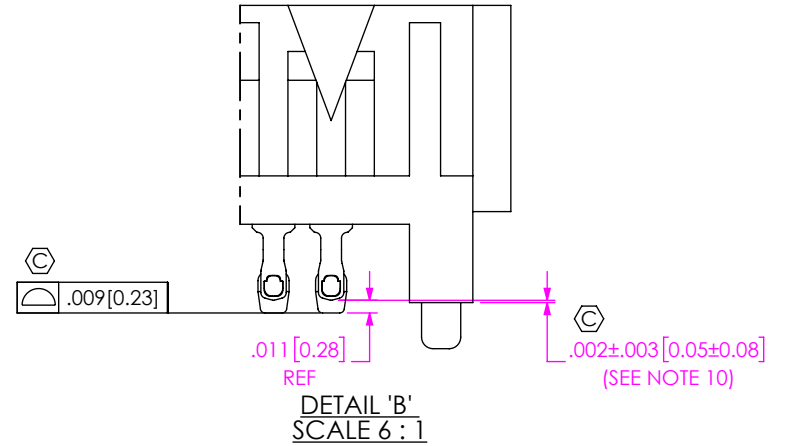
PLATING: CONTACT AREA: .000030" GOLD OVER .000050" NICKEL
 REMAINDER: .000200" REF TIN OVER .000050" NICKEL

DWG. NO. ASP-184329-01

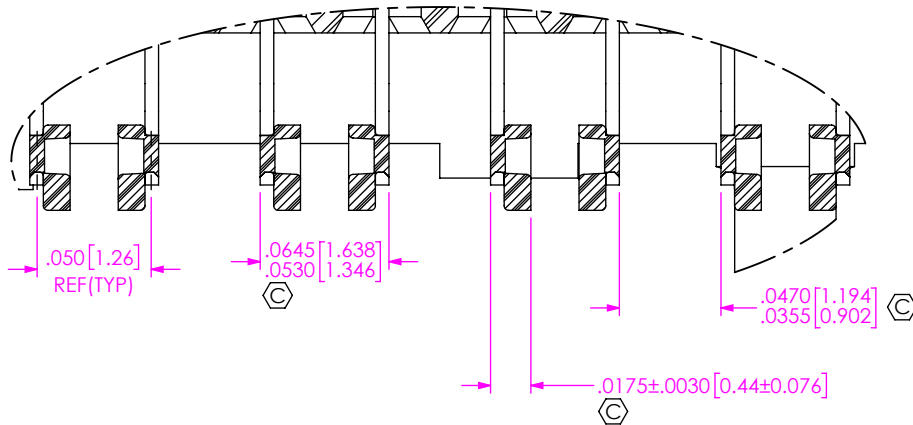
ITEM NO.	PART NUMBER	QUANTITY	MATERIAL
1	SEAF-40-06.5-14-A	1.0000	VECTRA E135i, COLOR: BLACK
2	NEW-SUB-C-209-06.5-S-2	560.00	BRUSH ALLOY 390 HT/LEAD FREE SOLDER Ⓢ
3	K-DOT-.404-.500-.005	1.0000	POLYIMIDE FILM
4	CT-SEAF133MS	.00667	CONDUCTIVE POLYMER



SECTION "A"-"A"
SCALE 6 : 1



DETAIL 'B'
SCALE 6 : 1



DETAIL 'C'
SCALE 12 : 1

PROPRIETARY NOTE
THIS DOCUMENT CONTAINS CONFIDENTIAL AND PROPRIETARY INFORMATION AND ALL DESIGN, MANUFACTURING, REPRODUCTION, USE, PATENT RIGHTS AND SALES RIGHTS ARE EXPRESSLY RESERVED BY SAMTEC, INC. THIS DOCUMENT SHALL NOT BE DISCLOSED, IN WHOLE OR PART, TO ANY UNAUTHORIZED PERSON OR ENTITY NOR REPRODUCED, TRANSFERRED OR INCORPORATED IN ANY OTHER PROJECT IN ANY MANNER WITHOUT THE EXPRESS WRITTEN CONSENT OF SAMTEC, INC.

DO NOT SCALE DRAWING

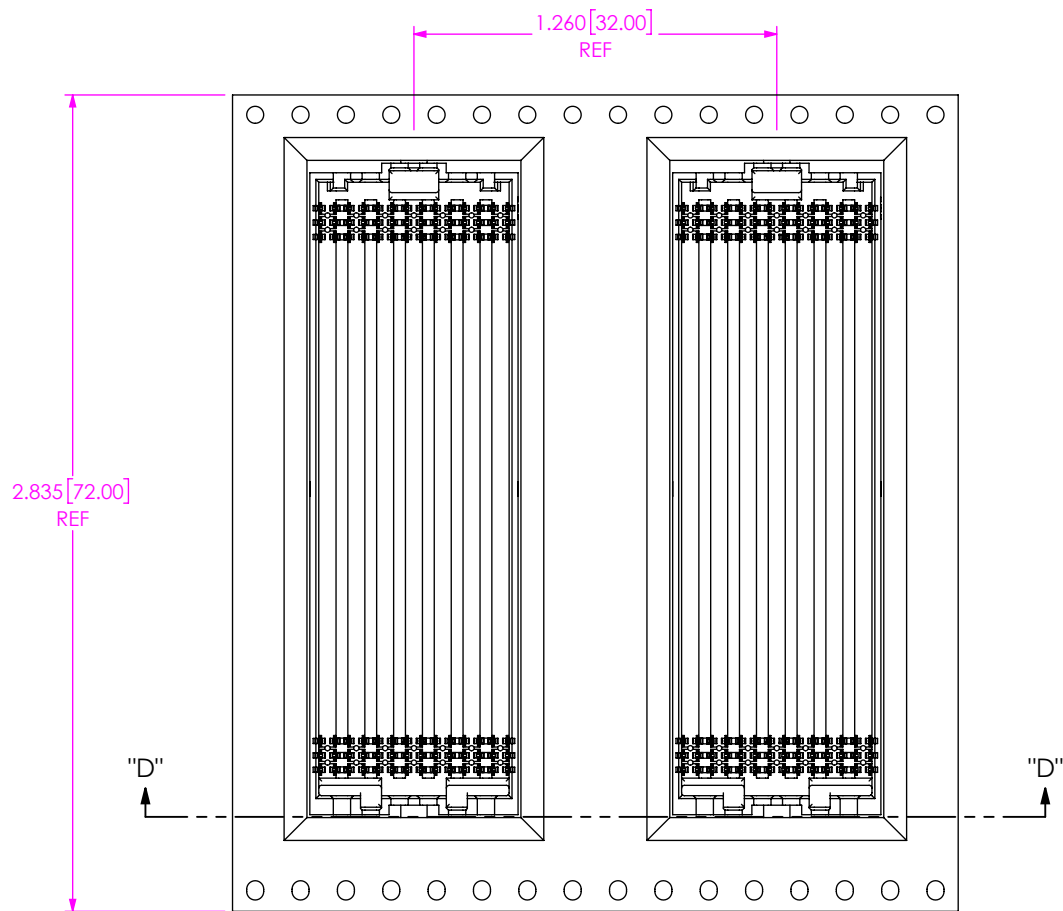
SHEET SCALE: 2:1

samtec

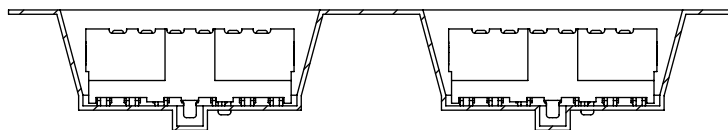
520 PARK EAST BLVD. NEW ALBANY, IN 47150
PHONE: 812-944-6733 FAX: 812-948-5047
e-Mail info@SAMTEC.com code 55322

DESCRIPTION:
14 ROW .050 PITCH SOCKET ARRAY ASSM.

DWG. NO.
ASP-184329-01



USER DIRECTION OF UN-REELING →
POCKET NOT DETAILED



SECTION "D"-"D"
PACKAGING VIEW

PROPRIETARY NOTE
THIS DOCUMENT CONTAINS CONFIDENTIAL AND PROPRIETARY INFORMATION AND ALL DESIGN, MANUFACTURING, REPRODUCTION, USE, PATENT RIGHTS AND SALES RIGHTS ARE EXPRESSLY RESERVED BY SAMTEC, INC. THIS DOCUMENT SHALL NOT BE DISCLOSED, IN WHOLE OR PART, TO ANY UNAUTHORIZED PERSON OR ENTITY NOR REPRODUCED, TRANSFERRED OR INCORPORATED IN ANY OTHER PROJECT IN ANY MANNER WITHOUT THE EXPRESS WRITTEN CONSENT OF SAMTEC, INC.



520 PARK EAST BLVD., NEW ALBANY, IN 47150
PHONE: 812-944-6733 FAX: 812-948-5047
e-Mail: info@SAMTEC.com code 55322

SHEET SCALE: 2:1

DESCRIPTION:
14 ROW .050 PITCH SOCKET ARRAY ASSM.

DWG. NO.
ASP-184329-01

BY: A ZAMORA 11/18/2014 SHEET 4 OF 4