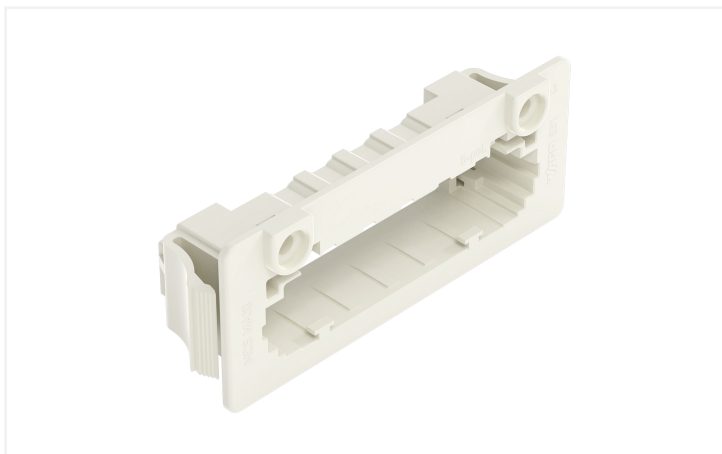


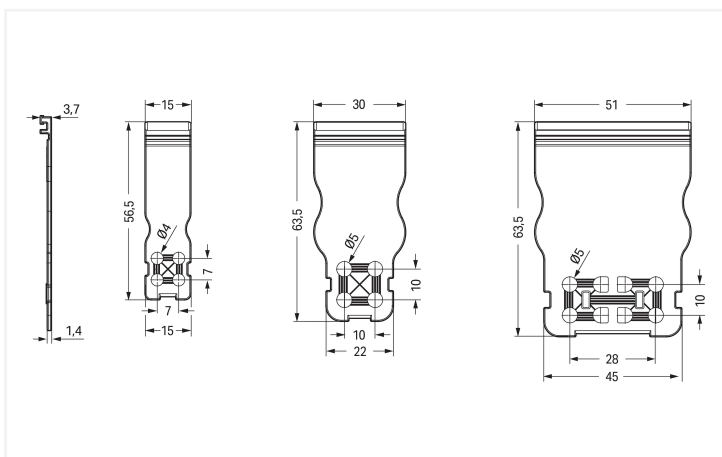
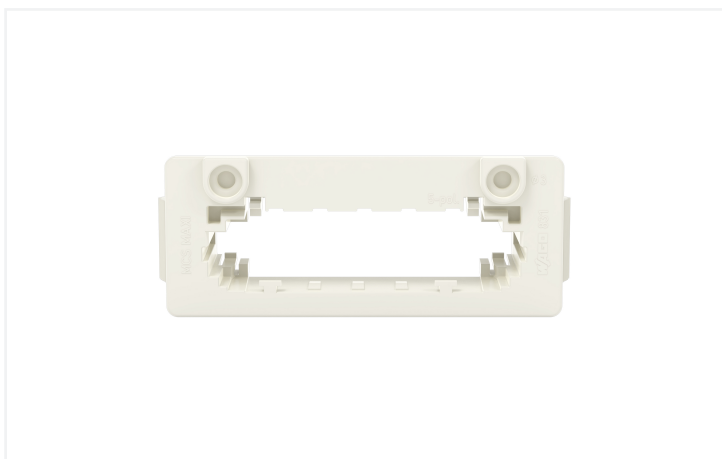
# Data Sheet | Item Number: 831-505

Strain relief plate; for female and male connectors; 30 mm wide; 1 part; Pin spacing 7.62 mm; light gray

<https://www.wago.com/831-505>



Color: ■ light gray



Dimensions in mm

The arrangement of the attachments for cable ties allows single conductors or multi-core cables to be secured in different ways. The width of the cable ties must correspond to the hole dimensions of the strain relief plates shown above.

### Physical data

Width	30 mm / 1.181 inches
Height	3.7 mm / 0.146 inches
Depth	63.5 mm / 2.5 inches

### Mechanical data

Suitable	for standard male and female connectors
----------	---

### Material data

Note (material data)	<a href="#">Information on material specifications can be found here</a>
Color	light gray
Material group	I
Insulation material (main housing)	Polyamide (PA66)
Flammability class per UL94	V0
Fire load	0.08 MJ
Weight	2.6 g

### Commercial data

PU (SPU)	48 (24) pcs
Packaging type	Box
Country of origin	DE
GTIN	4055143371605
Customs tariff number	85389099990

### Product Classification

UNSPSC	39121702
eCl@ss 10.0	27-14-11-92
eCl@ss 9.0	27-14-11-92
ETIM 9.0	EC002848
ETIM 10.0	EC002848
ECCN	NO US CLASSIFICATION

### Environmental Product Compliance

RoHS Compliance Status	Compliant, No Exemption
------------------------	-------------------------

### Downloads

#### Environmental Product Compliance

##### Compliance Search

Environmental Product  
Compliance 831-505



## Documentation

### Additional Information

Technical Section	03.04.2019	pdf 2027.26 KB	<a href="#">↓</a>
-------------------	------------	-------------------	-------------------

## CAD/CAE-Data

### CAD data

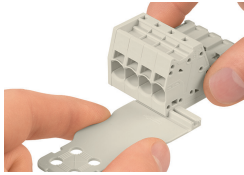
2D/3D Models 831-505	<a href="#">↓</a>
----------------------	-------------------

### CAE data

ZUKEN Portal 831-505	<a href="#">↓</a>
----------------------	-------------------

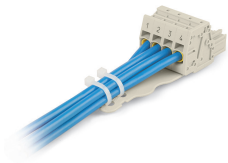
## Installation Notes

### Installation



Strain relief plate, for field assembly

## Application



Strain relief plate, for factory assembly  
1-conductor female conductor, 4-pole,  
7.62 mm pin spacing, light gray  
(831-3104/135-000)