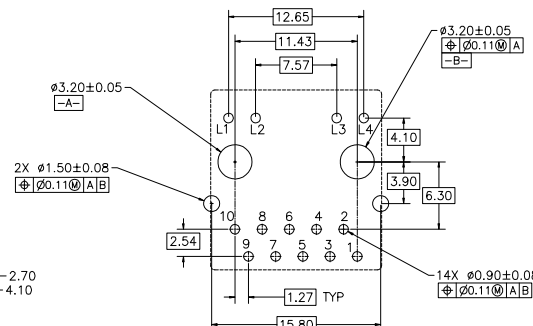
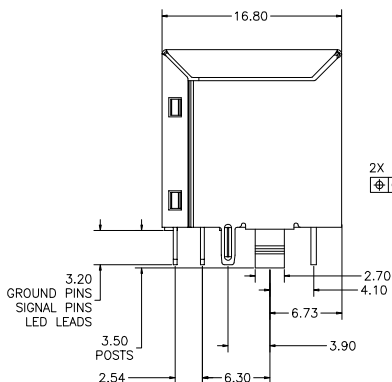
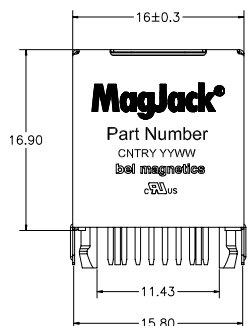
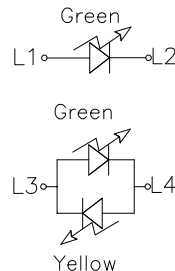
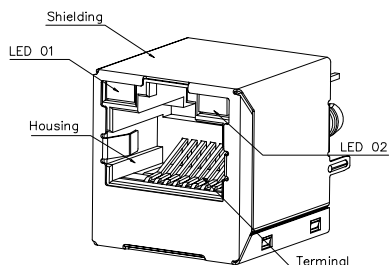
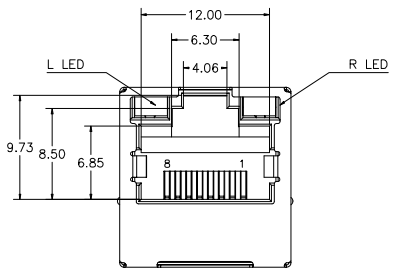


THE INFORMATION CONTAINED HEREIN IS CONSIDERED "PROPRIETARY" TO BEL FUSE INC. AND SHALL NOT BE COPIED, REPRODUCED OR DISCLOSED WITHOUT THE WRITTEN APPROVAL OF BEL FUSE INC.

RoHS



SUGGESTED CUSTOMER BOARD LAYOUT

NOTES:

Material:

1. Plastic : THERMOPLASTIC UL94V-0 (PA46: Blue 312C)
2. Contact Material : Phosphor Bronze
3. Plating:: Contact Area- Selection Gold Plating 6U".
4. Shield : Copper Alloy 0.20mm Thickness Plating Ni .

Feature:

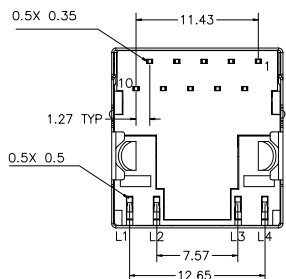
1. RJ45 10/1000Base-Tx Transformer Jack With Transformer /Impedance Resistor/High Voltage Capacitor.
2. Designed To Meet IEEE 802.3z Requirement.
3. Designed For 1000 Base Transmission over UTP-5 Cable.
4. Operation Temperature Range: 0° C To 70° C

Mechanical:

1. Operating Life: 1000 Cycles Min.
2. PCB Retention Pre-Solder: 1 Lb Min.
3. Harmful material control follow RoHS

Environmental:

1. Mates With Modular Plug Conforming To Fcc Part 68, Subpart F.



P01-1CE0-01
PART NUMBER

DRAWN	24Apr2024
JARRY YE / FRANK LIU	
CHECKED	24Apr2024
BILL LIU	
APPROVED	24Apr2024
TONY YUAN	

TITLE	Gigabit MagJack [®] (WITH LED) PATENTED
-------	--

DRAWING NO.	P01-1CE0
FILE NAME	P01-1CE0_1.DWG

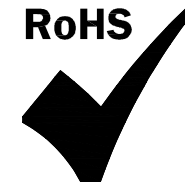
UNLESS OTHERWISE NOTED, TOL:			
X.	±0.38	SIZE:	A4
.X	±0.38	UNIT:	mm
.XX	±0.25	SCALE:	N/A
.XXX	±0.13	PAGE:	1/3
		REV.:	1



Additional Resources: Product Page 3D Model Technical Documentation

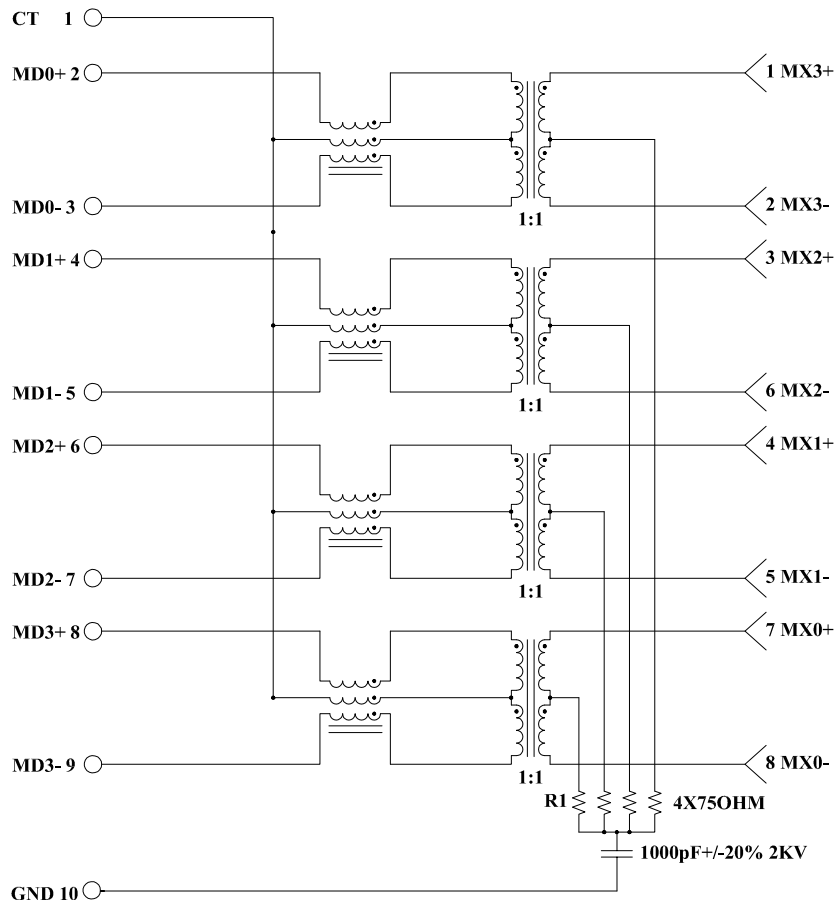
THE INFORMATION CONTAINED HEREIN IS CONSIDERED "PROPRIETARY" TO BEL FUSE INC. AND SHALL NOT BE COPIED, REPRODUCED OR DISCLOSED WITHOUT THE WRITTEN APPROVAL OF BEL FUSE INC.

RoHS



Additional Resources: [Product Page](#) [3D Model](#) [Technical Documentation](#)

Electrical Specification @ 25°C



PARAMETER	SPECIFICATIONS	
URNS RATIO	1.00 ± 2%	
POLARITY	PER SCHEMATIC	
INSERTION LOSS (DATA CHANNELS)	1-125 MHz	
	1.0 dB MAX	
RETURN LOSS (Z OUT=100 OHM ±1%)	1-40 MHz	40 MHz-200 MHz
	20 dB MIN	20+15LOG(f/40)dB MIN
CROSS TALK	1-40 MHz	40-125 MHz
	35 dB MIN	35+15LOG(f/40)dB MIN
COMMON MODE REJECTION	30-200 MHz	
	30 dB MIN	
INDUCTANCE (OCL)	350 uH MIN @ 100 KHz, 100 mV	
HIPOT-OUTPUT ISOLATION	2250 VDC MIN @ 60 SECONDS	

DRAWN	24Apr2024
JARRY YE / FRANK LIU	
CHECKED	24Apr2024
BILL LIU	
APPROVED	24Apr2024
TONY YUAN	

TITLE
Gigabit MagJack[®]
(WITH LED)
PATENTED

DRAWING NO.
P01-1CE0

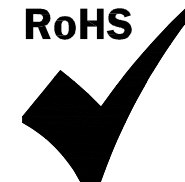
FILE NAME
P01-1ECO_1.DWG

UNLESS OTHERWISE NOTED, TOL:			
.X	±0.38	SIZE:	A4
.X	±0.38	UNIT:	mm
.XX	±0.25	SCALE:	N/A
.XXX	±0.13	PAGE:	2/3
		REV.:	1



THE INFORMATION CONTAINED HEREIN IS CONSIDERED "PROPRIETARY" TO BEL FUSE INC. AND SHALL NOT BE COPIED, REPRODUCED OR DISCLOSED WITHOUT THE WRITTEN APPROVAL OF BEL FUSE INC.

RoHS



Additional Resources: [Product Page](#) [3D Model](#) [Technical Documentation](#)

CHANGE HISTORY

ISSUE	DATE	DESCRIPTIN OF CHANGE	REASON	DRAWN	APPROVAL	ECN#
1	24APR2024	-	INITIAL RELEASE	JARRY YE	TONY YUAN	-

DRAWN	24Apr2024
JARRY YE / FRANK LIU	
CHECKED	24Apr2024
BILL LIU	
APPROVED	24Apr2024
TONY YUAN	

TITLE	Gigabit MagJack [®] (WITH LED) PATENTED
-------	--

DRAWING NO.	P01-1CEO
FILE NAME	P01-1CEO_1.DWG

UNLESS OTHERWISE NOTED, TOL:			
X.	±0.38	SIZE:	A4
.X	±0.38	UNIT:	mm
.XX	±0.25	SCALE:	N/A
.XXX	±0.13	PAGE: 3/3	REV.: 1

