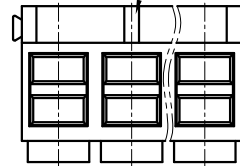


REVISION RECORD				
REV	ECN	DESCRIPTION	DRFT	DATE

3P plastic parts are reinforced
2P plastic parts without reinforcement



NOTES1:

UL Standard

- 1.Rated voltage/current : 300V / 8A
- 2.Wire range : 22~18AWG

IEC Standard

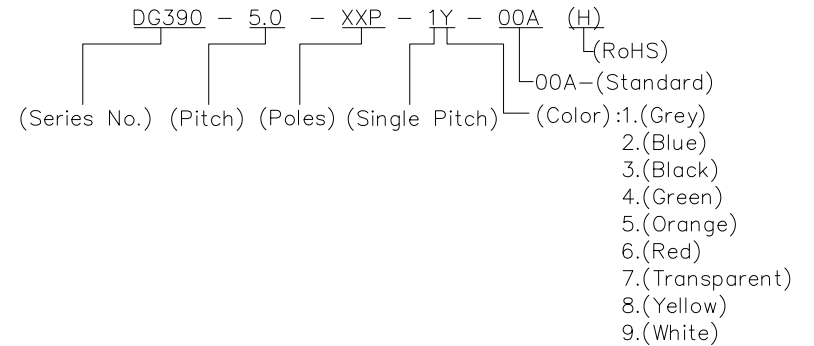
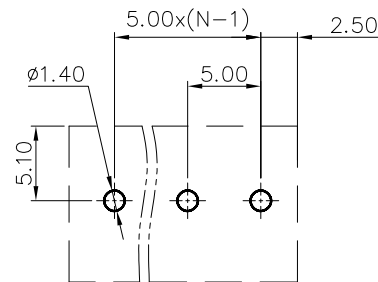
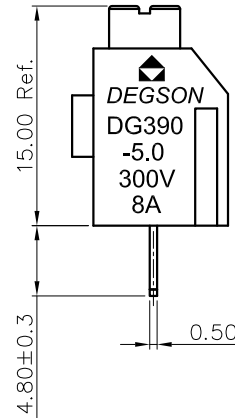
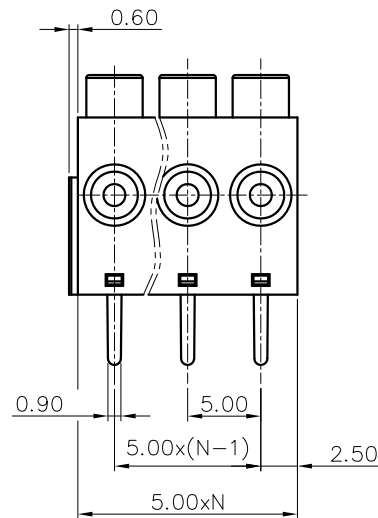
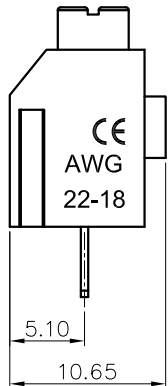
- 1.Rated voltage/current : 250V / 13.5A
- 2.Wire range : 1.0mm²

NOTES2:

- 1.Dimension shall be interpreted per ASME Y14.5-2009
- 2.Pitch : 5.00mm, Poles : N=2P,3P~24P
- 3.Stripping length : 9~10mm
- 2.Withstanding voltage : AC2000V/1Min.
- 3.Operating temperature : -40°C~+105°C
- 4.Undimensioned tolerances:

Pitch range in mm		Nominal dimension range in mm					-	∩	□
TO	Over	Over	TO	Over	Over	Over	0.1/10		
6	6 TO 10	10 TO 24	30	30 TO 60	60 TO 100	100 TO 150			
±0.15	±0.20	±0.30	±0.30	±0.50	±0.70	±1.00	±1.30	±2*	

5.RoHS Compliance



DETACHED LISTS	PART NO.:	/		
	APPD:	/		
	CHKD:	/		
	DRFT:	/		
			THIRD ANGLE PROJECTION	
		MM (INCH)		
		DO NOT SCALE DRAWING		
		SCALE 1:1		
NAME: 宁波高松电子有限公司 NINGBO DEGSON ELECTRICAL CO., LTD DG390-5.0-XXP-1Y-00A(H)		TITLE: CUSTOMER DRAWING	REV	DO
DRAWING NO.:		/	SHEET	1/1