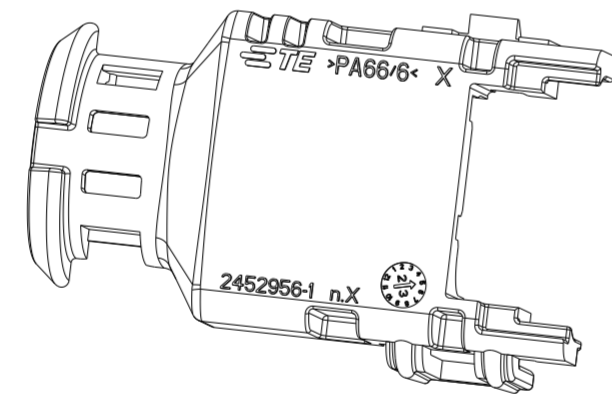
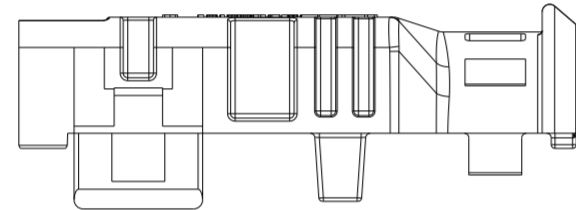
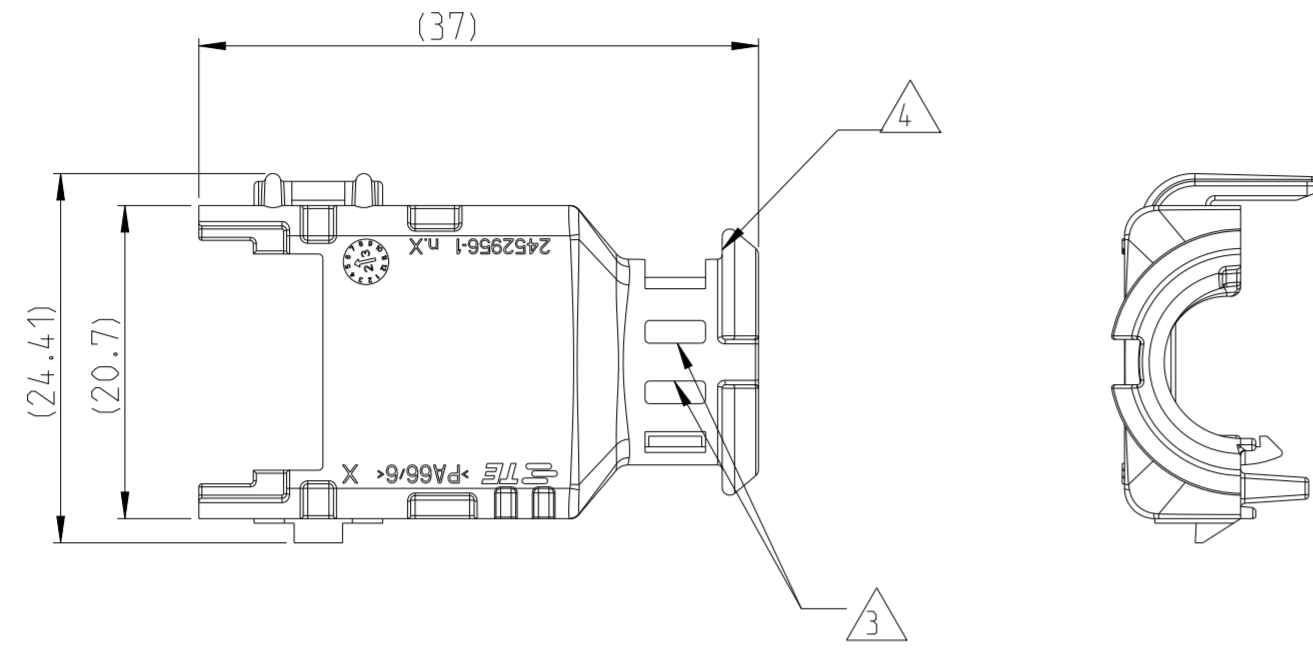
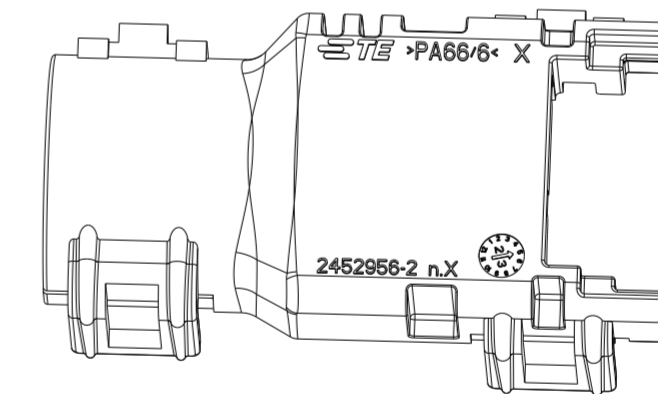
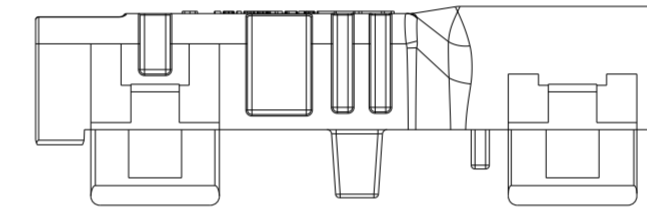
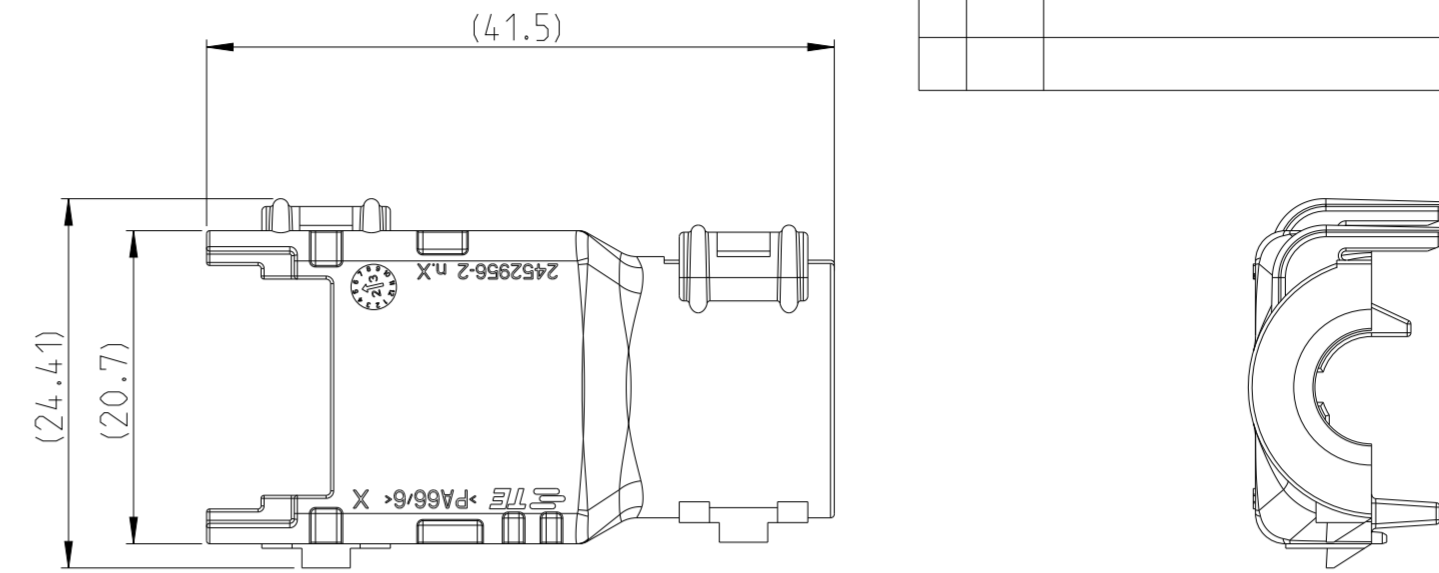


REVISIONS				
P	LTR	DESCRIPTION	DATE	APVD
A		INITIAL RELEASE	25AUG2023	D.Z
A1		ADD 108 & 114 SPEC NUMBER (ECN-25-346096)	28SEP2025	M.C



2452956-1 (SMOOTH)
VIEW SHOW



2452956-2 (NW 7.5)
VIEW SHOW

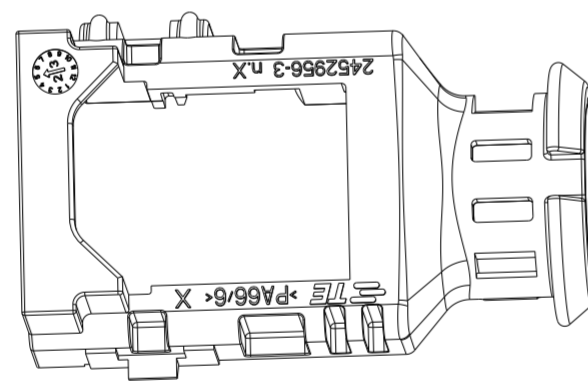
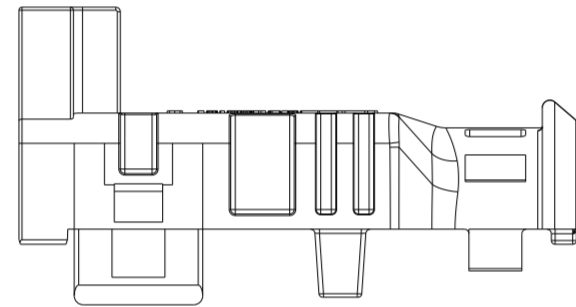
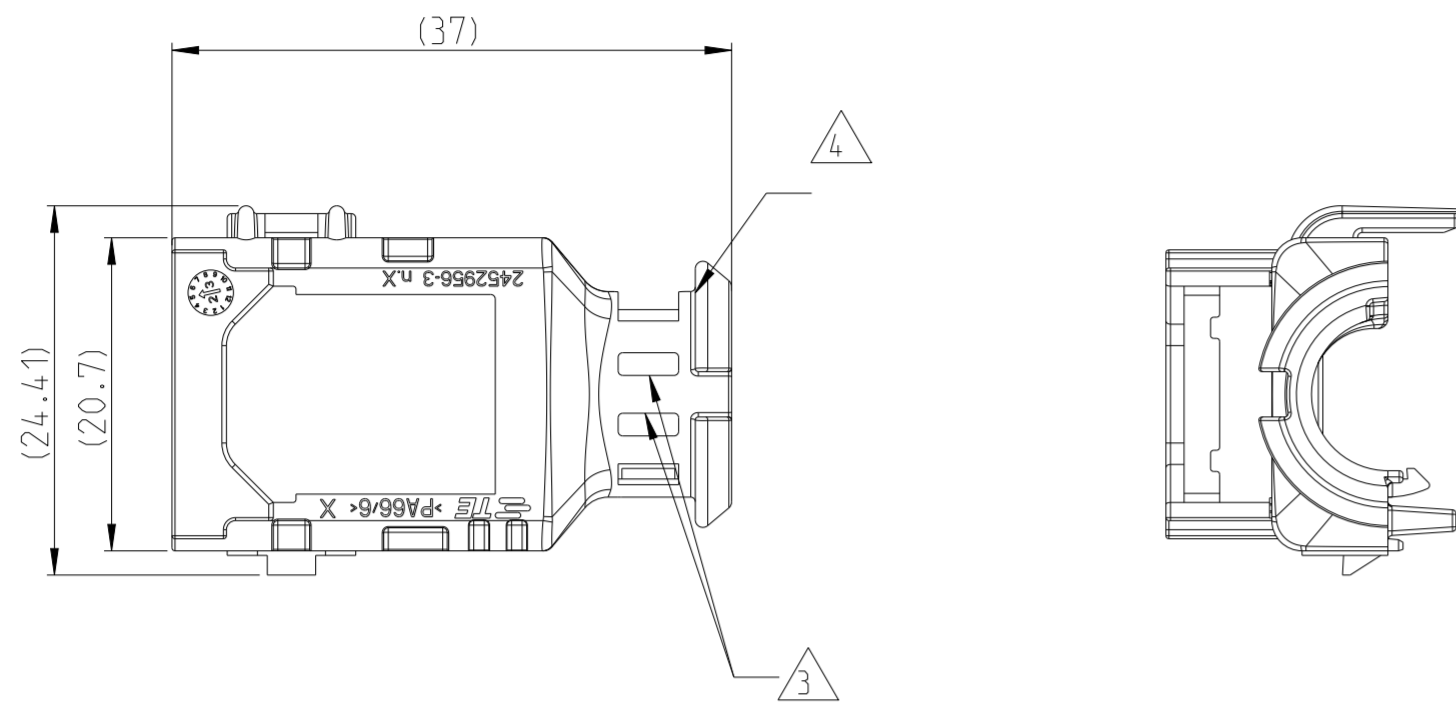
Notes:

- 1. MATERIAL : NYLON MOLDING COMPOUND, BLACK PA66/6.
- 2. BACK-SHELL DESIGN SUCH THAT TWO HALVES ATTACH TO ONE ANOTHER AND CLAMP AROUND THE CONNECTOR COVER.
- 3. 4mm WIDE SLOTS FOR TIE WRAP TO SECURE HARNESS WIRES (ONLY FOR 2452956-1 & 2452956-3)
- 4. HEAT SHRINK TUBING RETENTION FEATURE (ONLY FOR 2452956-1 & 2452956-3)
- 5. CONDUIT PROFILE: NORMAL ONLY

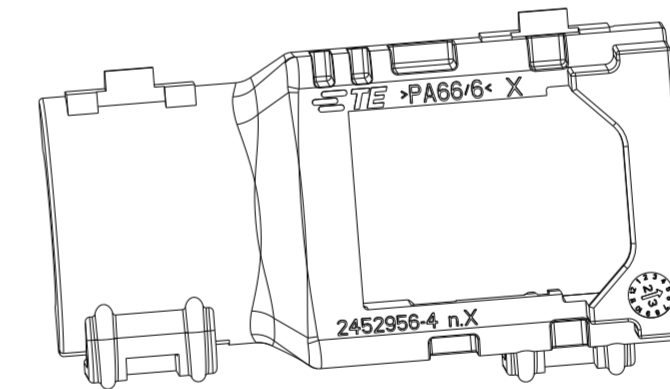
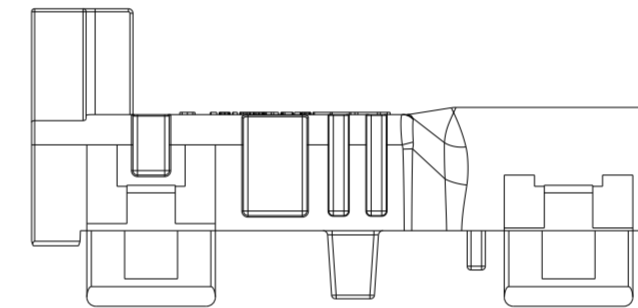
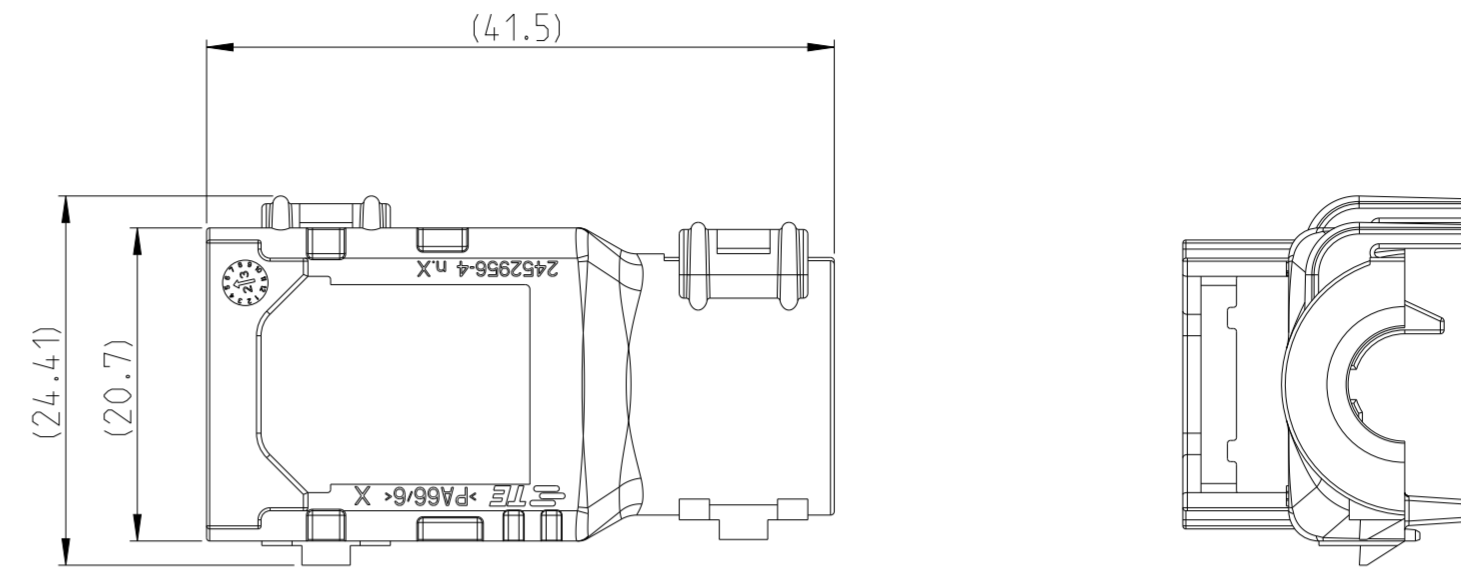
2.989	NW 08	NW 7.5	2452956-2
2.217	SMOOTH	SMOOTH	2452956-1
WEIGHT(g)	CORRUGATE NC	CORRUGATE NW	PART NUMBER

THIS DRAWING IS A CONTROLLED DOCUMENT.		DWN D.Zou 12APR2023	STE TE Connectivity	
DIMENSIONS: mm		CHK M.Chen 12APR2023		
TOLERANCES UNLESS OTHERWISE SPECIFIED:		APVD Z.Zhou 12APR2023	NAME BACK-SHELL KIT, 1 POSITION, AMPSEAL 16	
0 PLC ±		PRODUCT SPEC 108-161236	SIZE -	
1 PLC ±0.5		APPLICATION SPEC 114-160843	CAGE CODE A200779	DRAWING NO C-2452956
2 PLC ±0.45		WEIGHT SEE TABLE	RESTRICTED TO -	
3 PLC ±		CUSTOMER DRAWING	SCALE 2:1	SHEET 1 OF 3
4 PLC ±			REV A1	
ANGLES ±				
FINISH				
1				

P	LTR	DESCRIPTION	DATE	DWN	APVD
-		SEE SHEET 1			



2452956-3 (SMOOTH)
VIEW SHOW



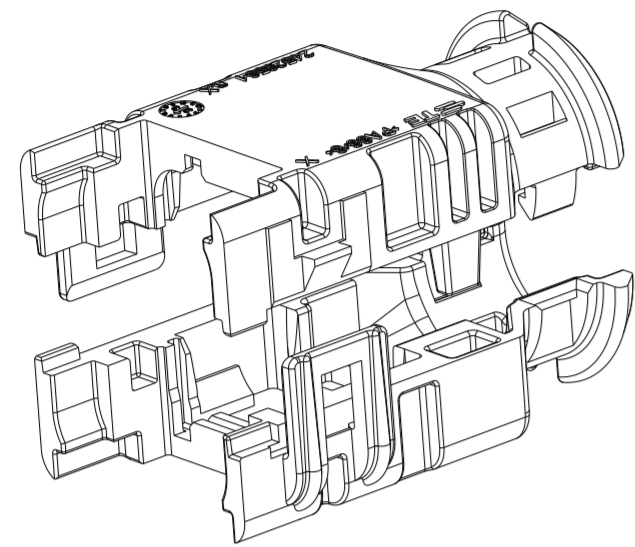
2452956-4 (NW 7.5)
VIEW SHOW

2.860	NC08	NW 7.5	2452956-4
2.088	SMOOTH	SMOOTH	2452956-3
WEIGHT(g)	CORRUGATE NC	CORRUGATE NW	PART NUMBER

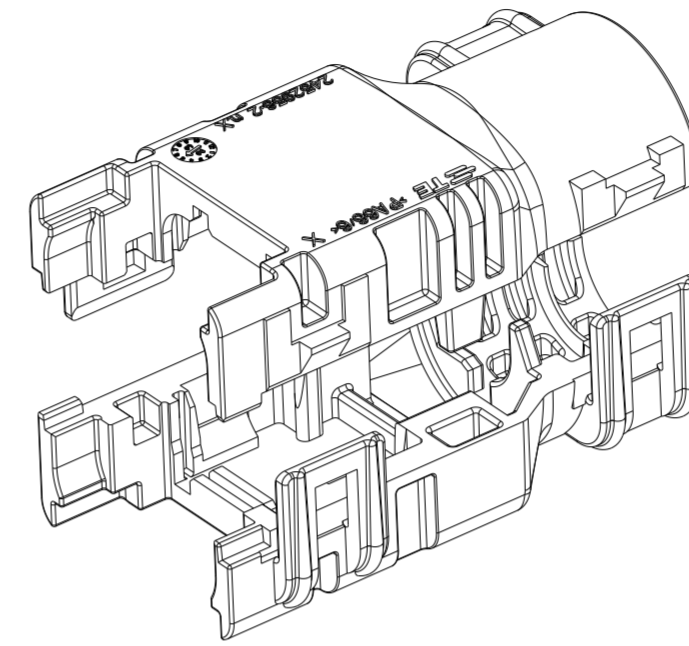
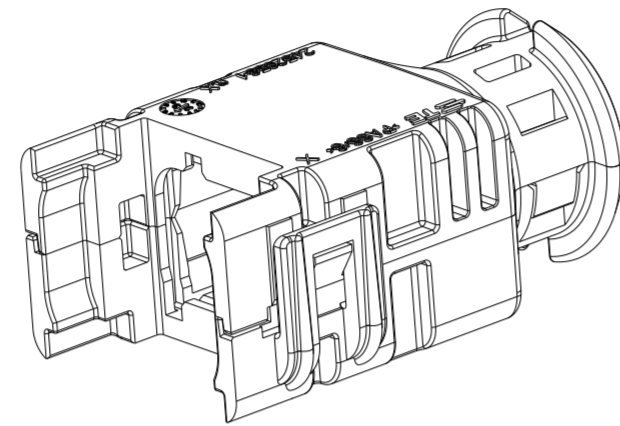
THIS DRAWING IS A CONTROLLED DOCUMENT.		DWN D.Zou 12APR2023	TE Connectivity			
DIMENSIONS:		CHK M.Chen 12APR2023				
mm		APVD Z.Zhou 12APR2023				
		PRODUCT SPEC 108-161236				
TOLERANCES UNLESS OTHERWISE SPECIFIED:		APPL. SPEC 114-160843	NAME BACK-SHELL KIT,1 POSTION, AMPSEAL 16			
0 PLC ±		WEIGHT SEE TABLE	SIZE A2	CAGE CODE 00779	DRAWING NO C-2452956	RESTRICTED TO -
1 PLC ±0.5		CUSTOMER DRAWING	SCALE 2:1	SHEET 2 OF 3	REV A1	
2 PLC ±0.45						
3 PLC ±0						
4 PLC ±0						
ANGLES ±						
FINISH						
1						

REVISIONS

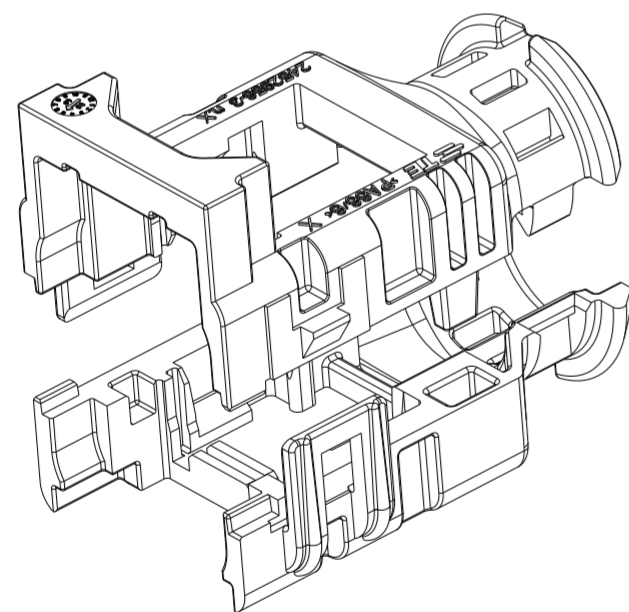
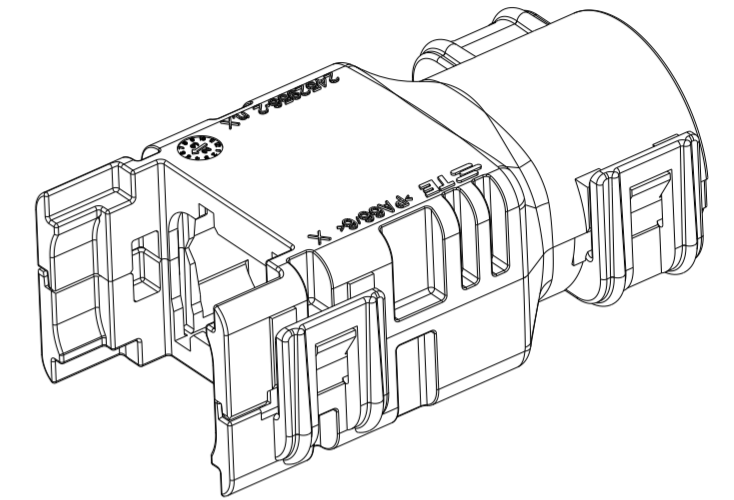
P	LTR	DESCRIPTION	DATE	DWN	APVD
-		SEE SHEET 1			



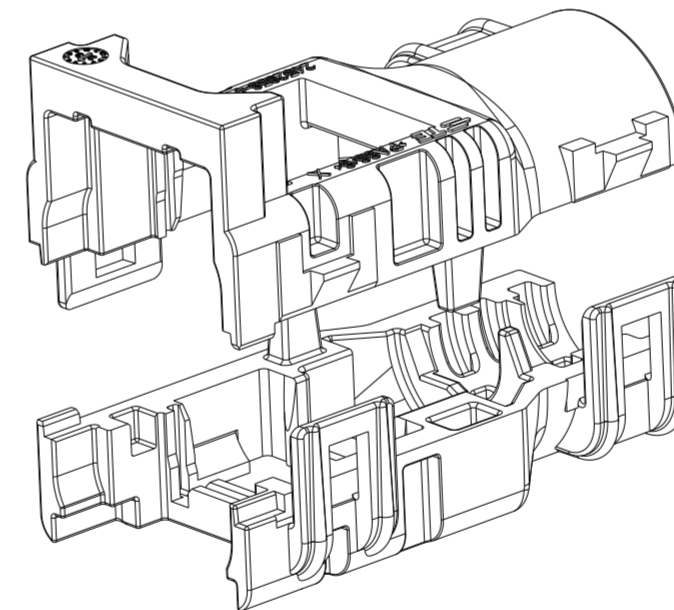
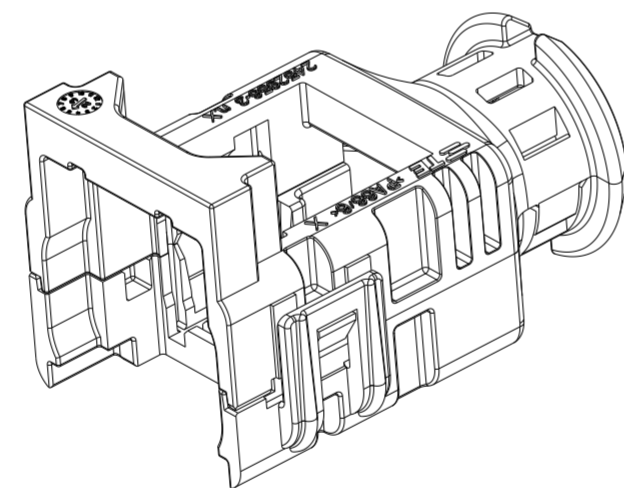
SMOOTH ASSEMBLED(FOR 1P CAP/FLANGE)
ISOMERTIC VIEW SHOW



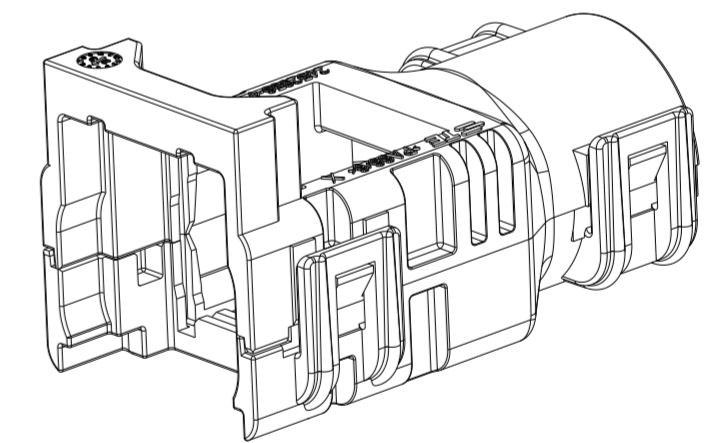
NW 7.5 ASSEMBLED(FOR 1P CAP/FLANGE)
ISOMERTIC VIEW SHOW




SMOOTH ASSEMBLED(FOR 1P PLUG)
ISOMERTIC VIEW SHOW



NW 7.5 ASSEMBLED(FOR 1P PLUG)
ISOMERTIC VIEW SHOW



THIS DRAWING IS A CONTROLLED DOCUMENT.		DWN	D.Zou	12APR2023	 TE Connectivity	NAME BACK-SHELL KIT,1 POSTION, AMPSEAL 16															
DIMENSIONS:		CHK	M.Chen	12APR2023																	
mm		APVD	Z.Zhou	12APR2023																	
<table border="1"> <thead> <tr> <th colspan="2">TOLERANCES UNLESS OTHERWISE SPECIFIED:</th> </tr> </thead> <tbody> <tr> <td>0 PLC</td> <td>±</td> </tr> <tr> <td>1 PLC</td> <td>±0.5</td> </tr> <tr> <td>2 PLC</td> <td>±0.45</td> </tr> <tr> <td>3 PLC</td> <td>±</td> </tr> <tr> <td>4 PLC</td> <td>±</td> </tr> <tr> <td>ANGLES</td> <td>±</td> </tr> <tr> <td>FINISH</td> <td>-</td> </tr> </tbody> </table>		TOLERANCES UNLESS OTHERWISE SPECIFIED:		0 PLC			±	1 PLC	±0.5	2 PLC	±0.45	3 PLC	±	4 PLC	±	ANGLES	±	FINISH	-	PRODUCT SPEC	108-161236
TOLERANCES UNLESS OTHERWISE SPECIFIED:																					
0 PLC	±																				
1 PLC	±0.5																				
2 PLC	±0.45																				
3 PLC	±																				
4 PLC	±																				
ANGLES	±																				
FINISH	-																				
MATERIAL	-	APPLICATION SPEC	114-160843	CAGE CODE	00779																
		WEIGHT		DRAWING NO	2452956																
				RESTRICTED TO	-																
CUSTOMER DRAWING				SCALE	2:1																
				SHEET	3 OF 3																
				REV	A1																