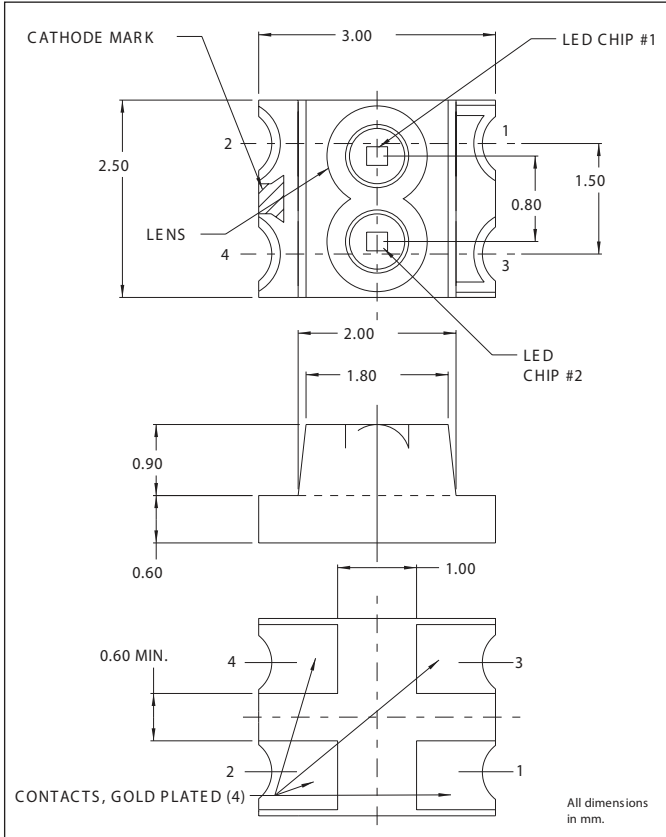
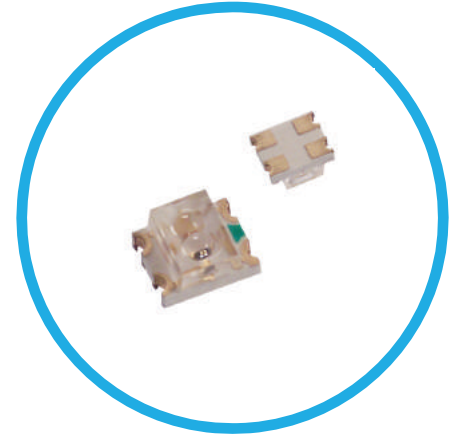




# 7011X Series Bicolor SMT LEDs



## Surface Mount Technology

- Tape and reel packaged for high-speed autoinsertion.
- Convection and vapor-phase reflow compatible.
- Compact form enables high density placement.
- Packaged 2500 per reel.

## Leading Edge LED Optoelectronic Performance

- Consistent high brightness.

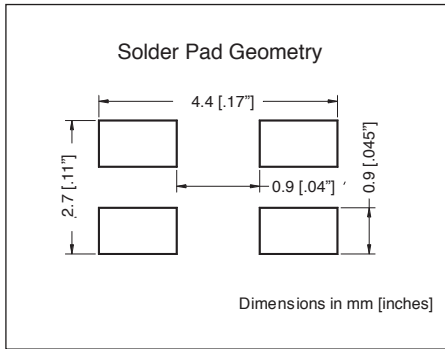
## Exceptional Reliability

- Stringent process controls assure quality.
- Extensive qualification testing to meet strictest requirements.
- Designed to permit easy post-reflow solder joint inspection.

## Electro-Optical Characteristics and Ratings

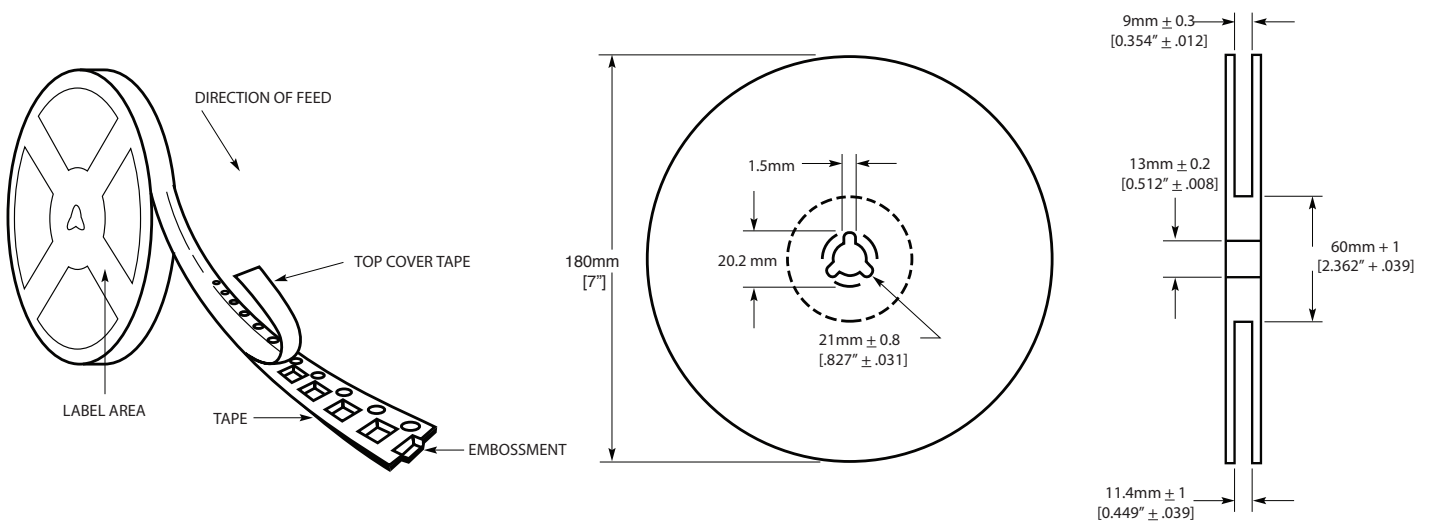
PART NUMBER	7011X1/5
Output Color	Red/Green
Diffused/Non-Diffused	Non-Diffused
Package Color	Clear
Power Dissipation (mW)	60/75
Peak Forward Current Max. (mA)	70
Reverse Voltage (IR=100µA) (V)	4
Operating temperature (°C)	-30 to +85
Storage Temperature (°C)	-30 to +90
Forward Voltage Typ. (IF=20mA)	1.7/2.1
Forward Voltage Max. (IF=20mA)	2.0/2.5
Continuous Forward Current Max. (mA)	30
Luminous Intensity Min. (IF=20mA)	6.0/3.0
Luminous Intensity Max. (IF=20mA)	17.0/7.5
Peak Wavelength (IF=20mA)	660/560
Viewing Angle (degrees)	100
Rated Current (mA)	20
Reverse Current Max. (VR=4V)	100

## Ordering Data



Direction of Feed

Reel Dimensions



## Compliances and Approvals

