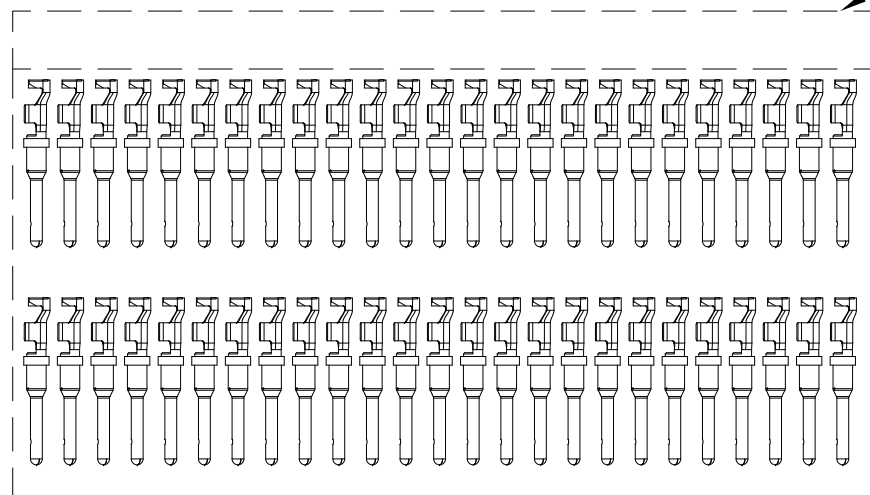
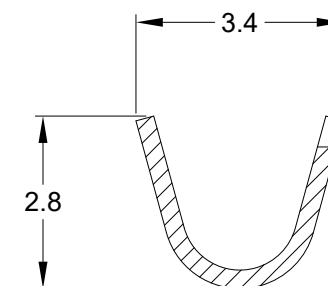
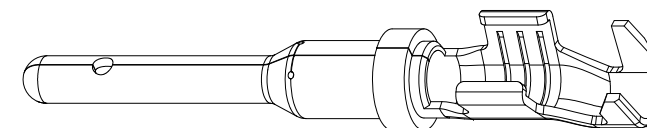
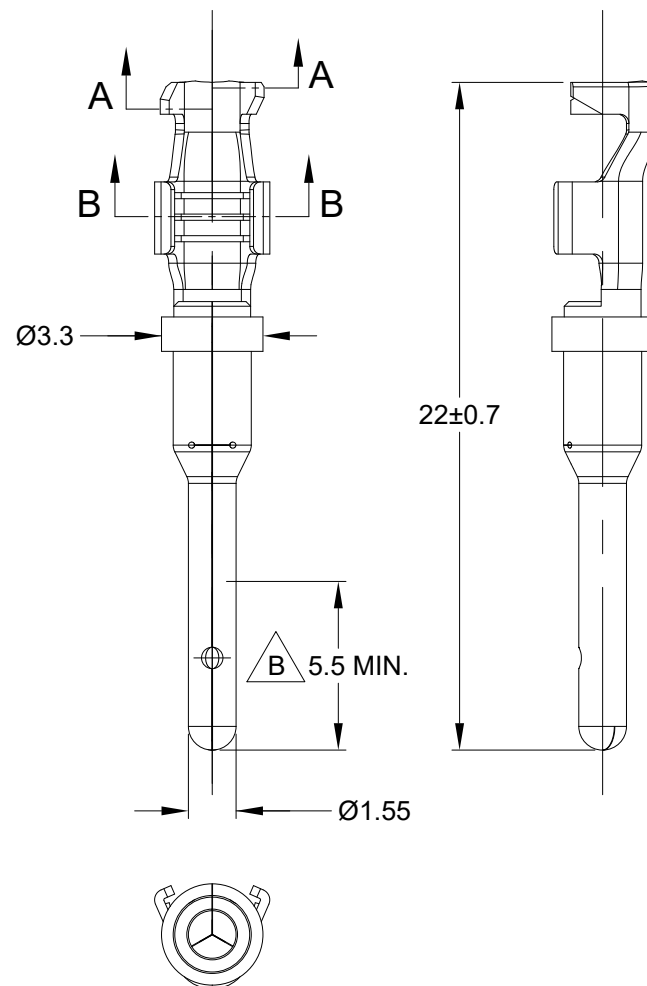


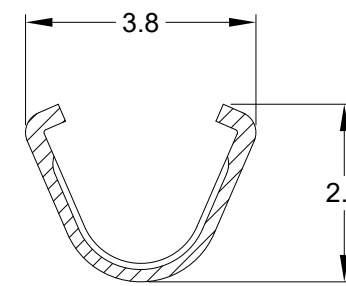
REVISIONS					
REV	ECO	DESCRIPTION	DATE	BY	APPR
A1	--	LOOSE PIECE RELEASE	09/JUL/24	CJF	-



6



SECTION A-A
SCALE - 2:1



SECTION B-B
SCALE - 2:1

NOTES: UNLESS OTHERWISE SPECIFIED

- MATERIAL: COPPER ALLOY
- PLATING: SEE PART NUMBER CHART
- CONTACT SIZE: 16
- SPECIFICATIONS:
 - CURRENT RATING: 13 AMPS
 - CONTACT MILLIVOLT DROP: 100 MILLIVOLT DROP @ 13 AMP TEST CURRENT.
 - RoHS COMPLIANT
- RECOMMENDED WIRE RANGE: 16 - 20 AWG
- PACKAGE: 50 PCS PER BAG
- AVAILABLE HAND TOOL: ATT-16-01
- ALL DIMENSIONS ARE FOR REFERENCE USE ONLY

PART NUMBER CHART		
PLATING	PART NUMBER	PLATING DESCRIPTION
NICKEL	AT60-16-0622-LP	SELECTIVE TIN OVER NICKEL OVERALL IN $\triangle A$ ZONE
GOLD	AT60-16-0644-LP	SELECTIVE GOLD FLASH OVER NICKEL OVERALL IN $\triangle B$ ZONE OR ENTIRE CONTACT
TIN	AT60-16-0677-LP	TIN OVER NICKEL OVERALL

SEE PART NUMBER CHART		REF: 1060-16-0622, 1060-16-0644, 1060-16-0677	
PART NUMBER		DESCRIPTION	
QUANTITY	MATERIALS LIST		
UNLESS OTHERWISE SPECIFIED 1) All dimensions are in metric(mm). 2) Tolerances are as follows: 1 PL DEC ±0.30 2 PL DEC ±0.15 3 PL DEC ±0.08 Fractions ±1/64 Angles ±1° 3) Note reference = $\triangle X$		SIGNATURES DATE DRAWN: LUCAS.CHAI 09/OCT/23 CHECKED: ORION.LI 10/OCT/23 ENGINEER: APPROVAL: TOMMY.XIE 12/OCT/23	
MATERIAL SPECIFICATIONS:		CUSTOMER:	
PROCESS SPECIFICATIONS:		THIS DRAWING IS SUPPLIED FOR INFORMATION ONLY. DESIGN FEATURES, SPECIFICATIONS AND PERFORMANCE DATA SHOWN HEREON ARE THE PROPERTY OF THE AMPHENOL CORPORATION. NO RIGHTS OF REPRODUCTION ARE IMPLIED. ALL DIMENSIONS ARE SUBJECT TO NORMAL MANUFACTURING VARIATIONS.	
NEXT ASSY:		SCALE: NONE	
		<p style="text-align: center;">Amphenol</p> <p style="text-align: center;">Sine Systems - www.amphenol-sine.com 44724 Morley Drive Clinton Township, MI 48036</p> <p style="text-align: center;">CONTACT, PIN, STAMPED, SIZE 16, 50PCS BAGGED, 16-20 AWG, A SERIES</p>	
SIZE	TYPE	DWG NO.	REVISION
B	C-	AT60-16-06XX-LP	A1
SHEET 1 OF 1			

TITLE: PIN, STAMPED, SIZE 16, 16-20 AWG, A SERIES
DWG NO.: AT60-16-06XX
REV: A1
SH: 1
OF: 1