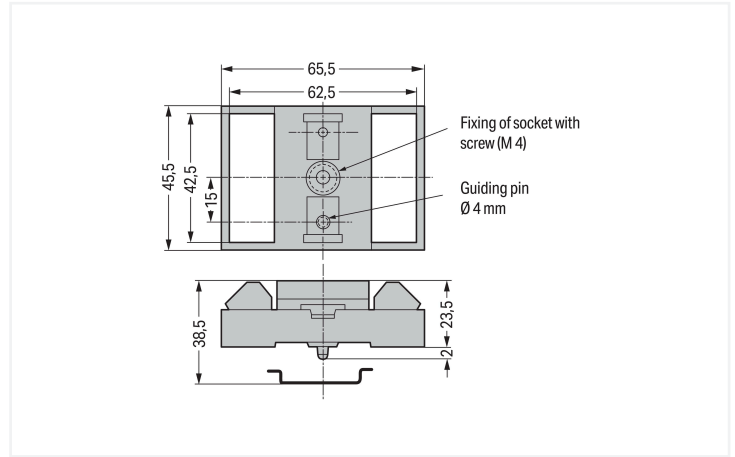
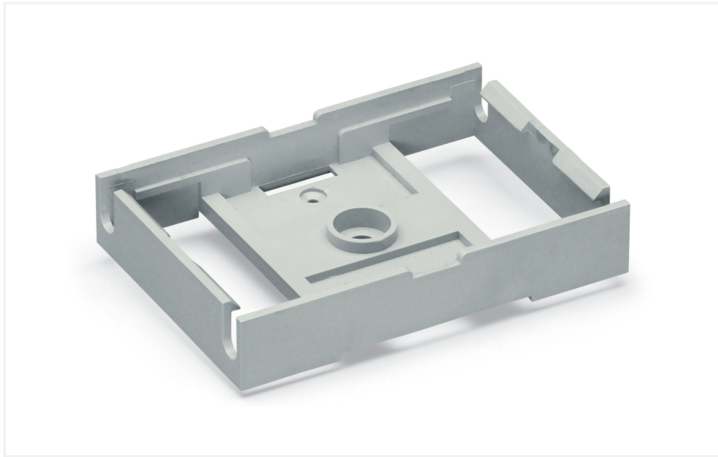


Data Sheet | Item Number: 288-001

Mounting carrier; gray

<https://www.wago.com/288-001>



Color: ■ gray

Dimensions in mm

Mounting carrier, for screw mounting or DIN-rail mounting (via universal snap-on type mounting feet)

Note

Note Mounting feet must be ordered separately!

Physical data

Width	45.5 mm / 1.791 inches
Height	65.5 mm / 2.579 inches
Depth from upper-edge of DIN-rail	23.5 mm / 0.925 inches

Mechanical data

Mounting type	DIN-35 rail
---------------	-------------

Material data

Color	gray
-------	------

Commercial data

Product Group	6 (INTERFACE ELECTRONIC)
PU (SPU)	50 (1) pcs
Packaging type	Box
Country of origin	DE
GTIN	4017332159548
Customs tariff number	85472000900

Product Classification	
UNSPSC	39121702
eCl@ss 10.0	27-18-27-02
eCl@ss 9.0	27-18-27-02
ETIM 9.0	EC001031
ETIM 10.0	EC001031
ECCN	NO US CLASSIFICATION

Environmental Product Compliance	
RoHS Compliance Status	Compliant, No Exemption

Downloads

Environmental Product Compliance

Compliance Search	
Environmental Product Compliance 288-001	↓

CAD/CAE-Data

CAD data	
2D/3D Models 288-001	↓

CAE data	
EPLAN Data Portal 288-001	↓
WSCAD Universe 288-001	↓
ZUKEN Portal 288-001	↓

1 Compatible Products

1.1 Optional Accessories

1.1.1 Installation

1.1.1.1 Mounting carrier and mounting feet



Item No.: 288-002
 Universal mounting foot; snap-fit type; suitable for DIN 15, 35 and 32 rails; gray

1.1.1.2 PCB for self-assembly



Item No.: 289-102
 PCB for self-assembly; with 8 mounting positions; 2,50 mm²



Item No.: 289-131
 PCB for self-assembly; with 8 mounting positions; 2,50 mm²

Subject to changes. Please also observe the further product documentation!

Current addresses can be found at: www.wago.com