



holder, 3-fold, plastic, minimum order quantity 5 or a multiple thereof

product brand name	SIRIUS ACT
product designation	Holders
design of the product	holder for plastic
product type designation	3SU1
manufacturer's article number	
<ul style="list-style-type: none"> of the supplied holder 	3SU1500-0AA10-0AA0
Actuator	
design of the actuating element	3-way without module
number of contact modules	0
Holder	
material of the holder	Plastic
Display	
number of LED modules	0
General technical data	
product function positive opening	No
product component	
<ul style="list-style-type: none"> diode lamp transformer light source series resistor 	No No No No
insulation voltage rated value	500 V
degree of pollution	3
surge voltage resistance rated value	6 kV
shock resistance	
<ul style="list-style-type: none"> according to IEC 60068-2-27 for railway applications according to EN 61373 	sinusoidal half-wave 15 g / 11 ms Category 1, Class B
vibration resistance	
<ul style="list-style-type: none"> according to IEC 60068-2-6 for railway applications according to EN 61373 	10 ... 500 Hz: 5 g Category 1, Class B
reference code according to IEC 81346-2	U
Substance Prohibition (Date)	10/01/2014
Net Weight	15.6 g
Auxiliary circuit	
number of NC contacts for auxiliary contacts	0
number of NO contacts for auxiliary contacts	0
Connections/ Terminals	
tightening torque of the screws in the bracket	1 ... 1.2 N·m
Ambient conditions	
ambient temperature	
<ul style="list-style-type: none"> during operation during storage 	-25 ... +70 °C -40 ... +80 °C
environmental category during operation according to IEC 60721	3M6, 3S2, 3B2, 3C3, 3K6 (with relative air humidity of 10 ... 95%, no condensation in operation permitted)
Installation/ mounting/ dimensions	
fastening method	without
<ul style="list-style-type: none"> of modules and accessories 	Front plate mounting
height	40 mm
width	30 mm

shape of the installation opening	round
installation width	30 mm
installation depth	30.1 mm
thickness of the front plate usable	1 ... 6 mm

Approvals Certificates

Environmental Product Declaration	
<ul style="list-style-type: none"> • global warming potential [CO2 eq] / during manufacturing • global warming potential [CO2 eq] / during operation • global warming potential [CO2 eq] / after end of life • global warming potential [CO2 eq] / total 	<ul style="list-style-type: none"> 0.566 kg 0.235 kg -0.0145 kg 0.787 kg

Environment General Product Approval

[Environmental Confirmations](#)



General Product Approval Test Certificates Maritime application



[Type Test Certificates/Test Report](#)



LRS



PRS



RINA

other

[Confirmation](#)



Further information

Information on the packaging

<https://support.industry.siemens.com/cs/ww/en/view/109813875>

Information for data generation and storage

<https://support.industry.siemens.com/cs/ww/en/view/109995012>

Information- and Downloadcenter (Catalogs, Brochures,...)

<https://www.siemens.com/ic10>

Industry Mall (Online ordering system)

<https://mall.industry.siemens.com/mall/en/en/Catalog/product?mlfb=3SU1500-0AA10-0AA0>

Cax online generator

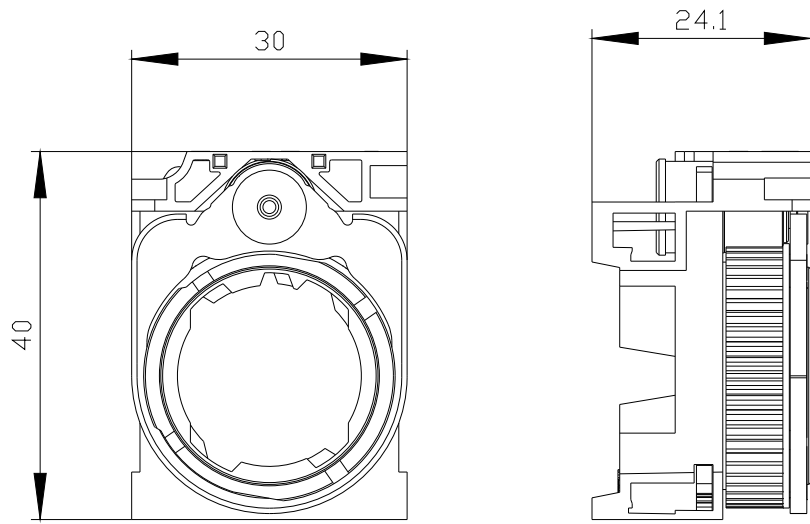
<https://support.automation.siemens.com/WW/CAXorder/default.aspx?lang=en&mlfb=3SU1500-0AA10-0AA0>

Service&Support (Manuals, Certificates, Characteristics, FAQs,...)

<https://support.industry.siemens.com/cs/ww/en/ps/3SU1500-0AA10-0AA0>

Image database (product images, 2D dimension drawings, 3D models, device circuit diagrams, EPLAN macros, ...)

https://www.automation.siemens.com/bilddb/cax_de.aspx?mlfb=3SU1500-0AA10-0AA0&lang=en



last modified:

4/4/2026 