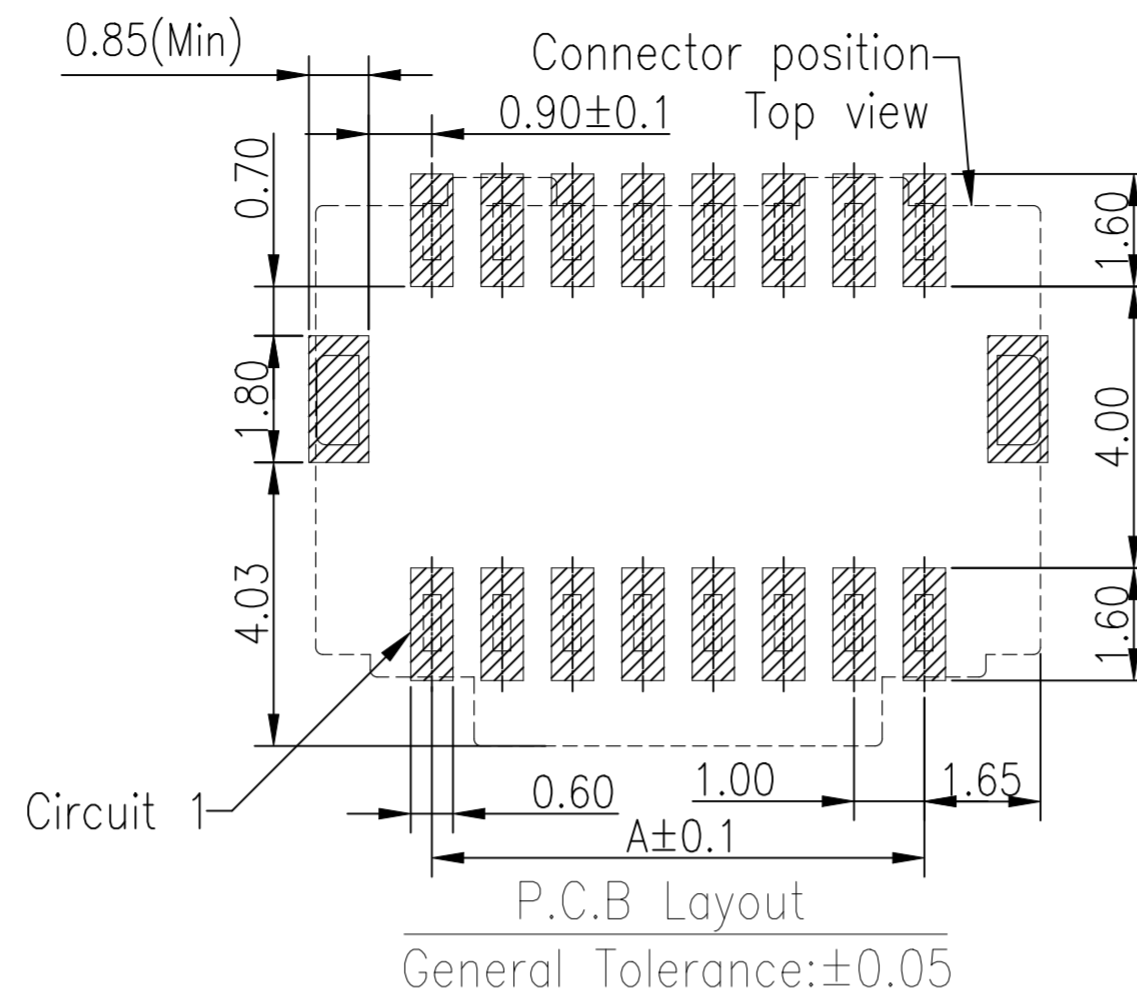
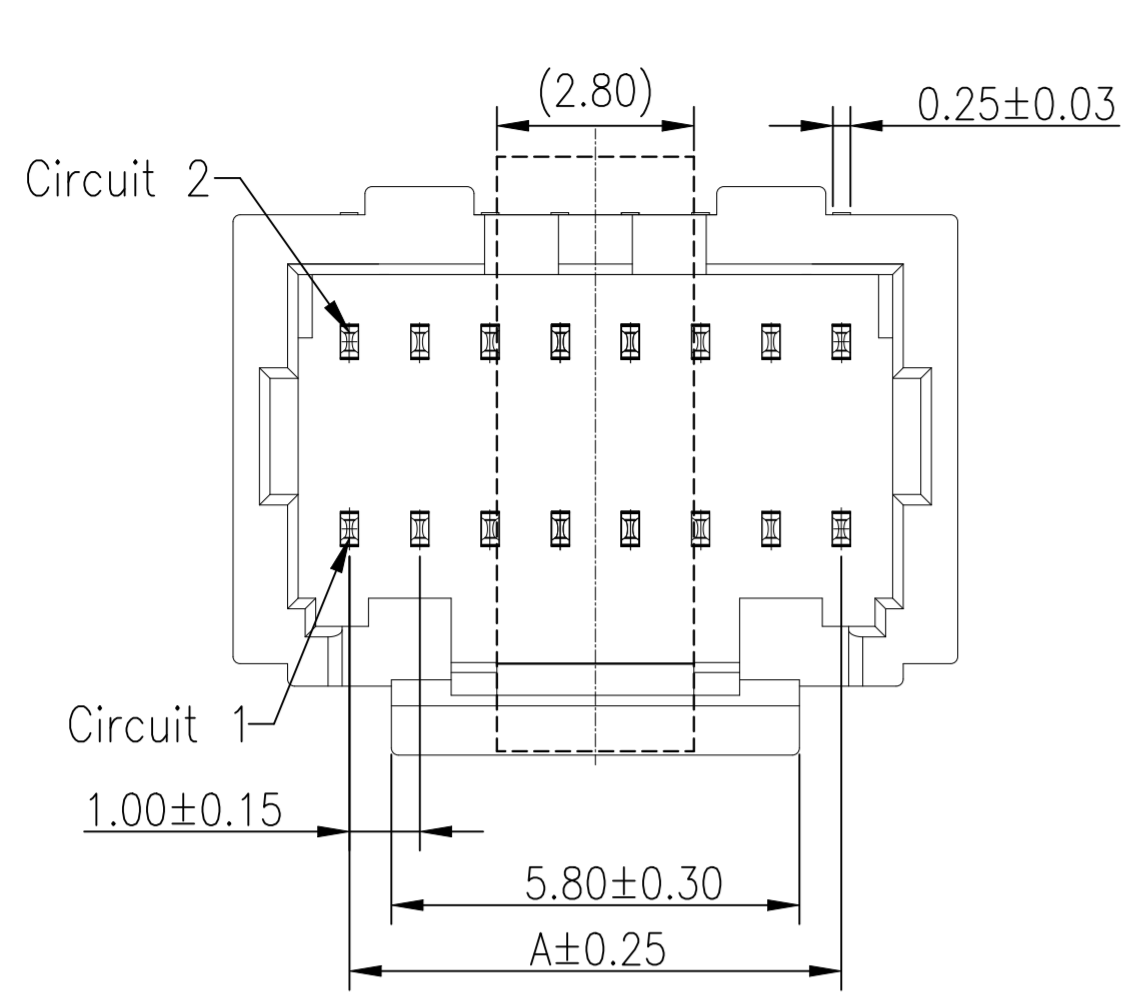
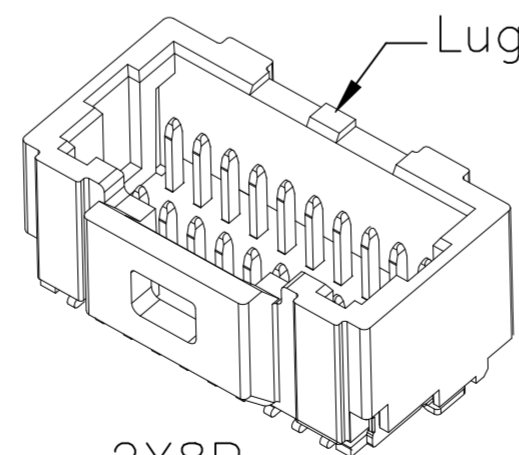
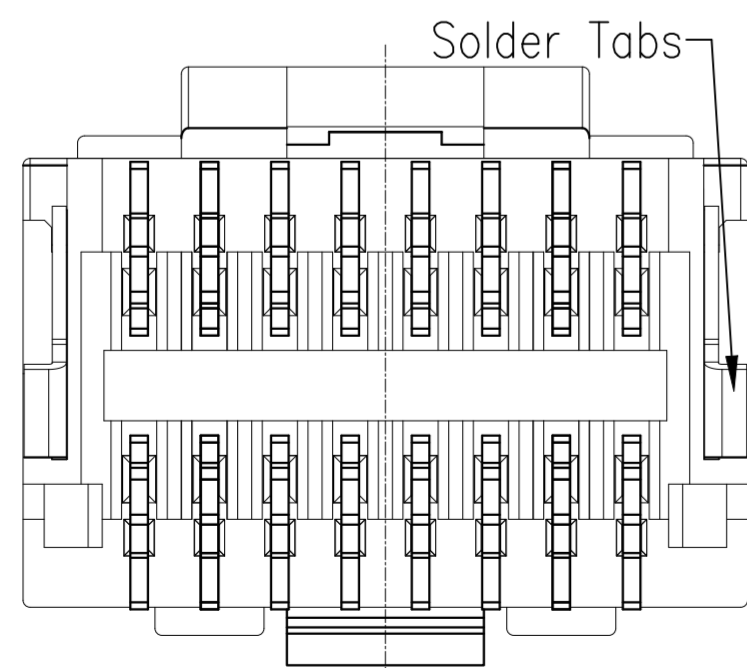
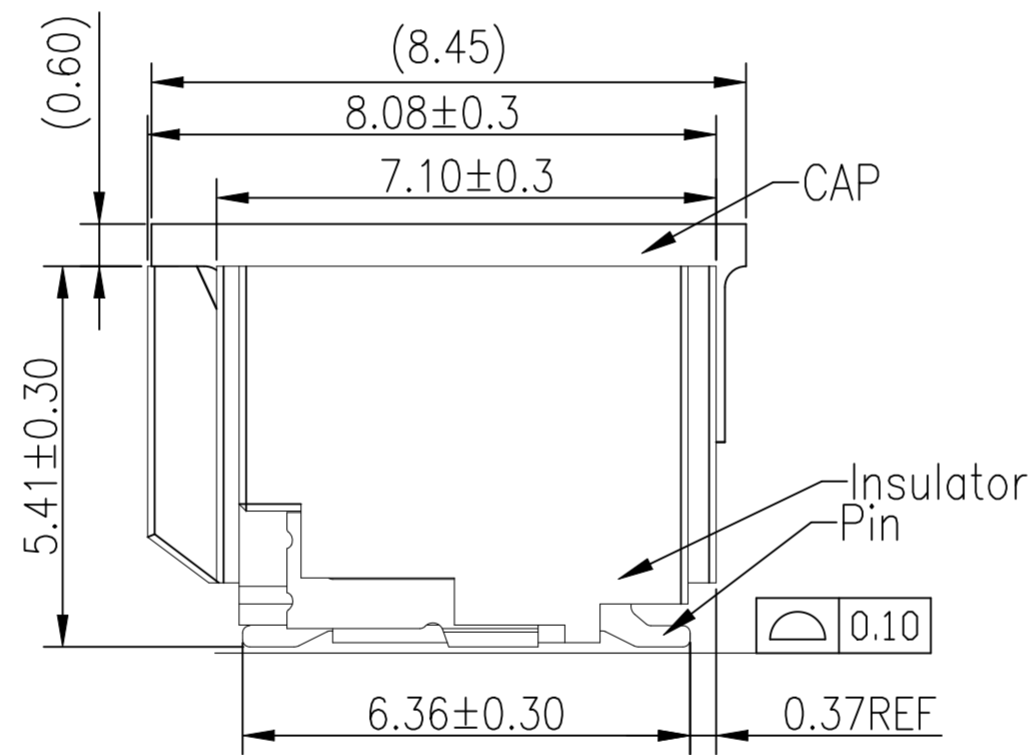
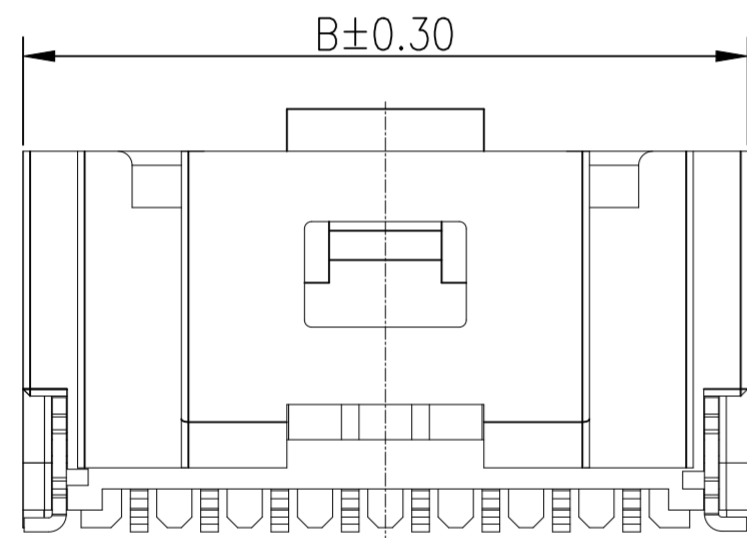


REVISIONS					
P	LTR	DESCRIPTION	DATE	DWN	APVD
A		PRODUCTION RELEASE	22SEP2025	M.S	J.M



Specifications

- Current Rating: 0.8A AC,DC
 - Voltage Rating: 50V AC,DC
 - Temperature Range: -25°C~+85°C
 - Contact Resistance: 20mQ Max.
 - Insulation Resistance: 100MQ Min.
 - Withstanding Voltage: 250V AC/minute
 - Contact: Phosphor Bronze
 - Solder Tabs: Brass/ Matte Tin
 - Insulator: PA9T, UL 94V-0
 - Cap: Thermal Plasticity Resin, UL 94V-0
- The product using material and processing must conform to the "WI-PZ-142" HSF technical standard control requirements



2X8P
View for Representation

Mates with 2511766-2 or 1-2511766-2

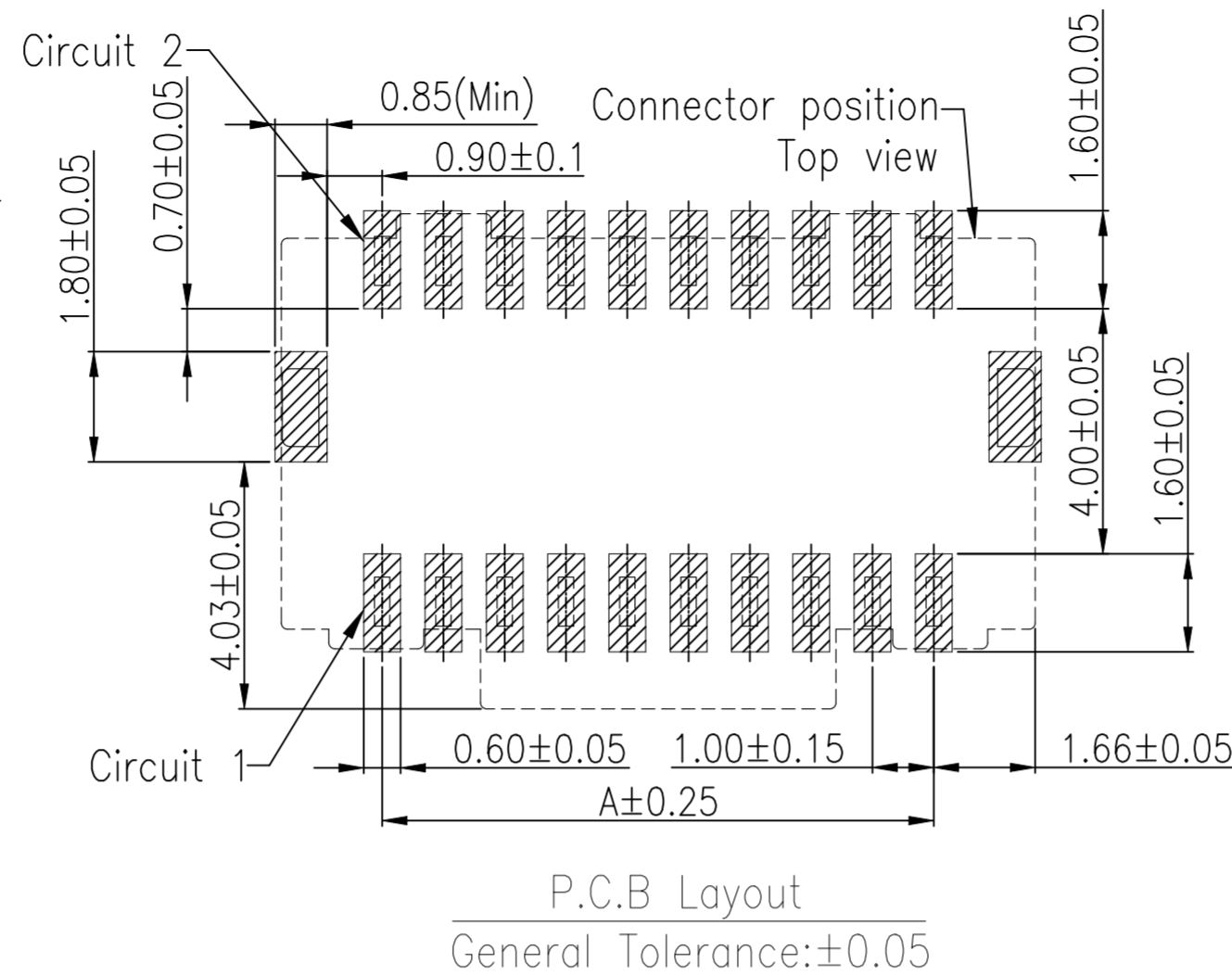
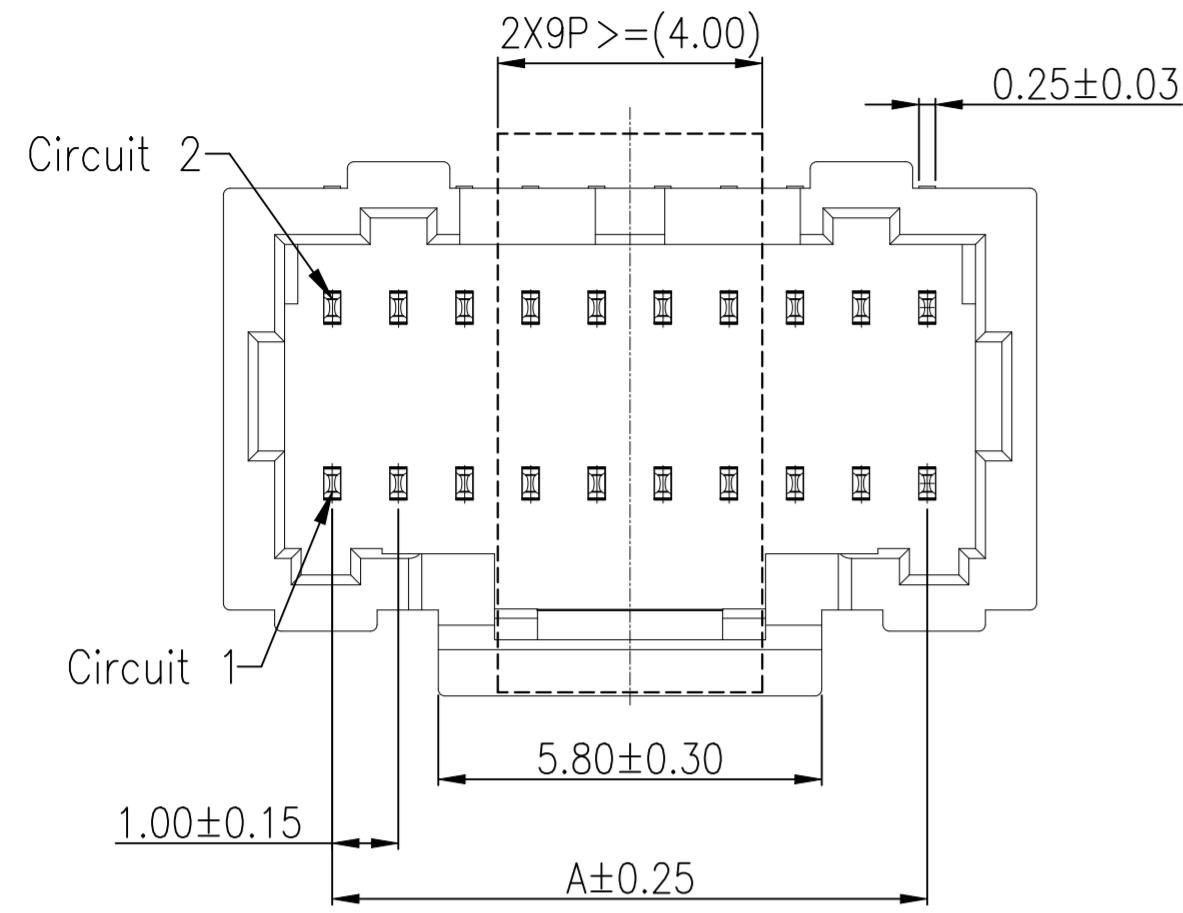
Drawing shown for below

PIN #	POS	Dimensions	
		A	B
16	2x8P	7.00	10.30

TC PN	Housing Material	Pin Material/Plating	Solder Tabs
2504449-2	PA9T,UL94V-0/Natural	Phosphor Bronze/Gold-flash	Brass/Matte Tin
1-2504449-2	PA9T,UL94V-0/Natural	Phosphor Bronze/0.38µm[15u"]Au	Brass/Matte Tin
2-2504449-2	PA9T,UL94V-0/Black	Phosphor Bronze/Gold-flash	Brass/Matte Tin
3-2504449-2	PA9T,UL94V-0/Black	Phosphor Bronze/0.38µm[15u"]Au	Brass/Matte Tin
4-2504449-2	PA9T,UL94V-0/Natural	Phosphor Bronze/2µm[80u"]Matte Tin	Brass/Matte Tin
5-2504449-2	PA9T,UL94V-0/Black	Phosphor Bronze/2µm[80u"]Matte Tin	Brass/Matte Tin

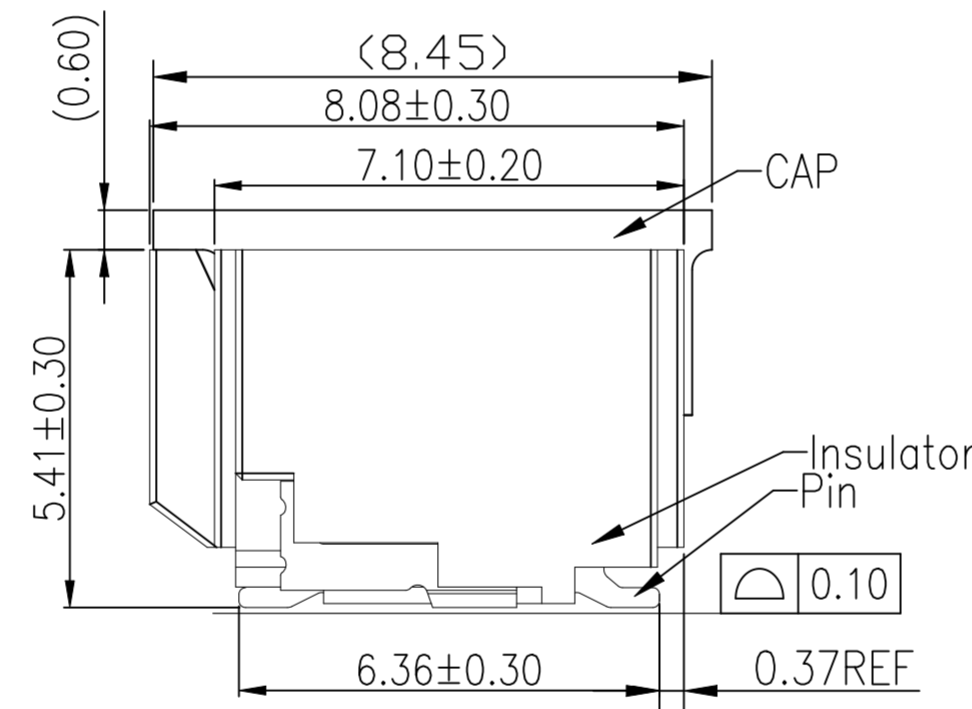
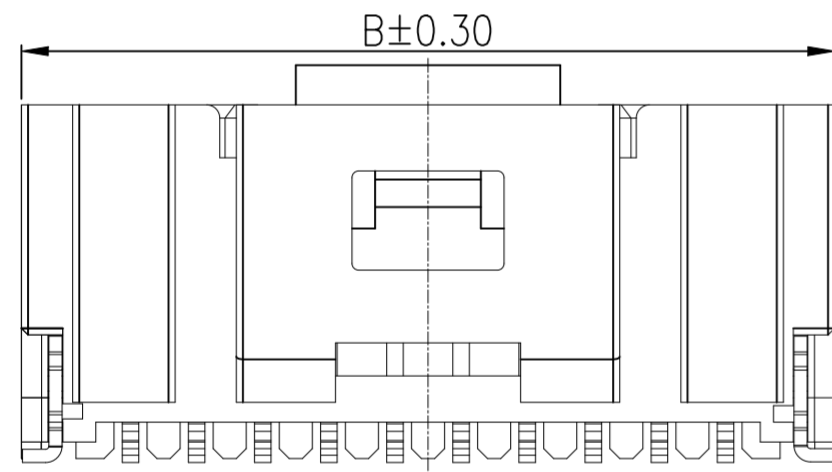
THIS DRAWING IS A CONTROLLED DOCUMENT.		DWN MADHAN S 24JUN2025	TE TE Connectivity	
		CHK JAGRUTI M 24JUN2025		
		APVD JAGRUTI M 03SEP2025	NAME -	
		PRODUCT SPEC 108-162162	1MM 2ROW INT LCKNG HPI HEADER	
		APPLICATION SPEC 114-161614	-	
MATERIAL SEE NOTE & TABLE		FINISH SEE NOTE & TABLE	WEIGHT 0	RESTRICTED TO -
		SIZE A2	CAGE CODE 00779	DRAWING NO C=2504449
		SCALE 1:1		SHEET 1 of 3
		CUSTOMER DRAWING		REV A

REVISIONS					
P	LTR	DESCRIPTION	DATE	DWN	APVD
-	-	SEE SHEET 1	-	-	-



Specifications

- Current Rating: 0.8A AC,DC
 - Voltage Rating: 50V AC,DC
 - Temperature Range: -25°C~+85°C
 - Contact Resistance: 20mQ Max.
 - Insulation Resistance: 100MQ Min.
 - Withstanding Voltage: 250V AC/minute
 - Contact: Phosphor Bronze
 - Solder Tabs: Brass/ Matte Tin
 - Insulator: PA9T, UL 94V-0
 - Cap: Thermal Plasticity Resin, UL 94V-0
- The product using material and processing must conform to the "WI-PZ-142" HSF technical standard control requirements

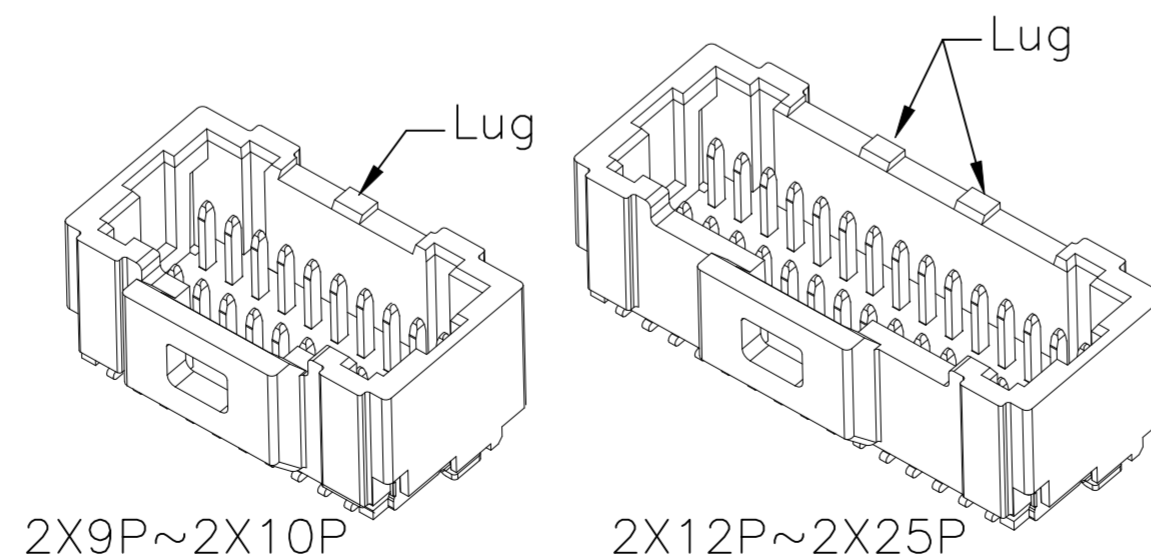
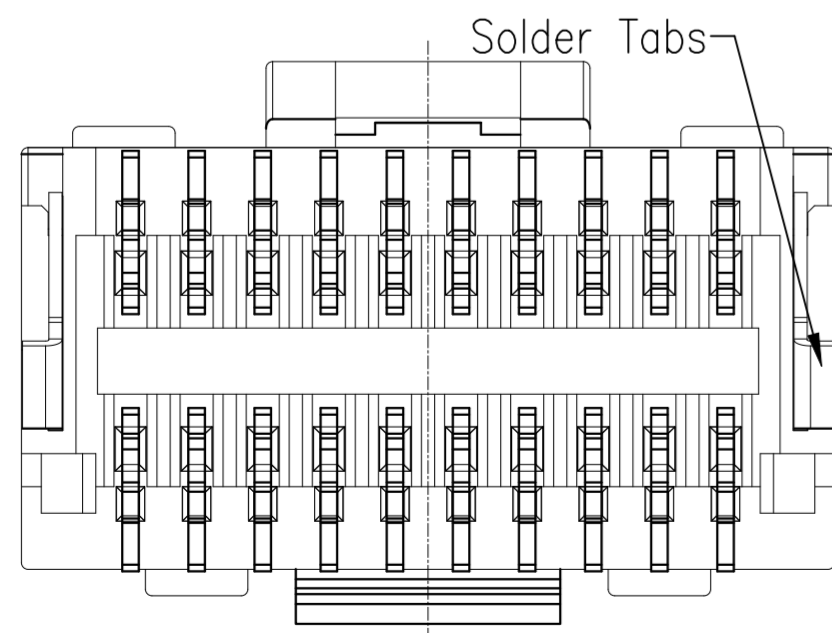


Drawing Shown for below Variants

X	PIN#	POS	Dimensions	
			A	B
3	18	2X9P	8.00	11.30
4	20	2X10P	9.00	12.30
5	30	2X15P	14.00	17.30
6	32	2X16P	15.00	18.30
7	36	2X18P	17.00	20.30
8	40	2X20P	19.00	22.30
9	50	2X25P	24.00	27.30

Mates with X-2511766-X

NOTE: 18 & 32 Pins position will be introduced later

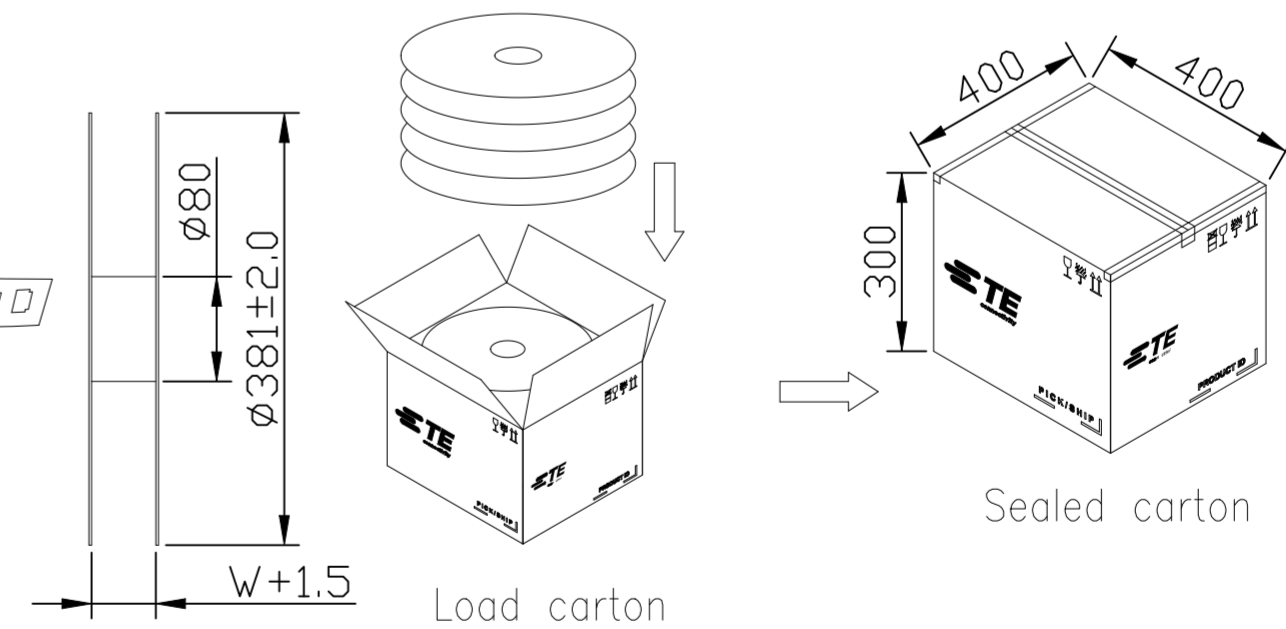
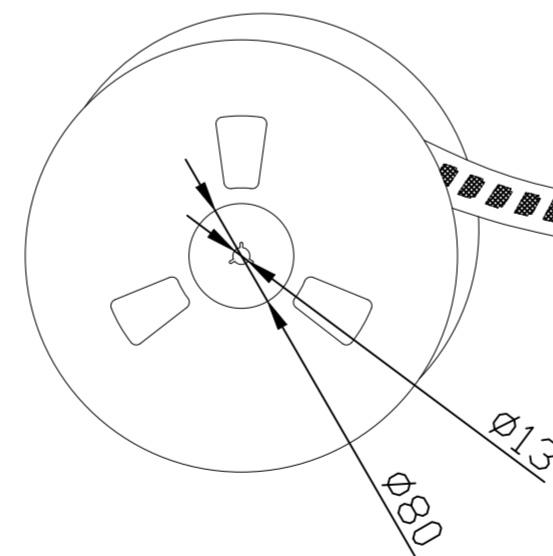
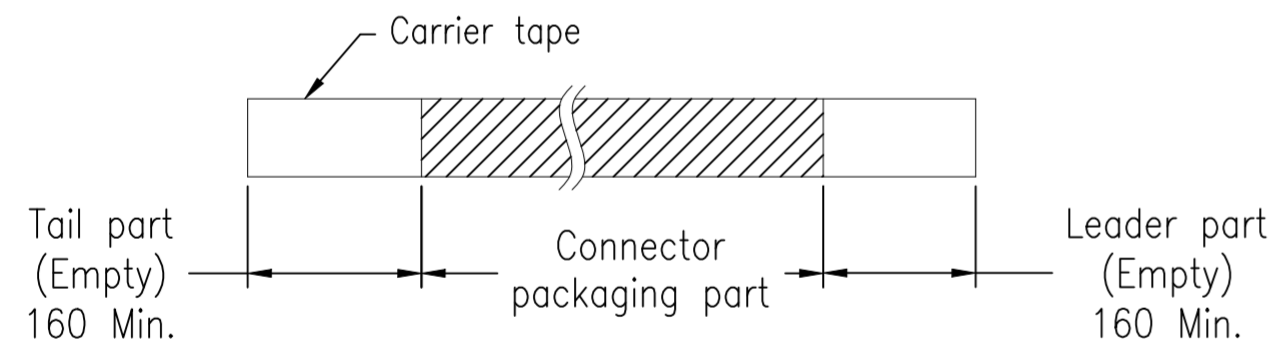
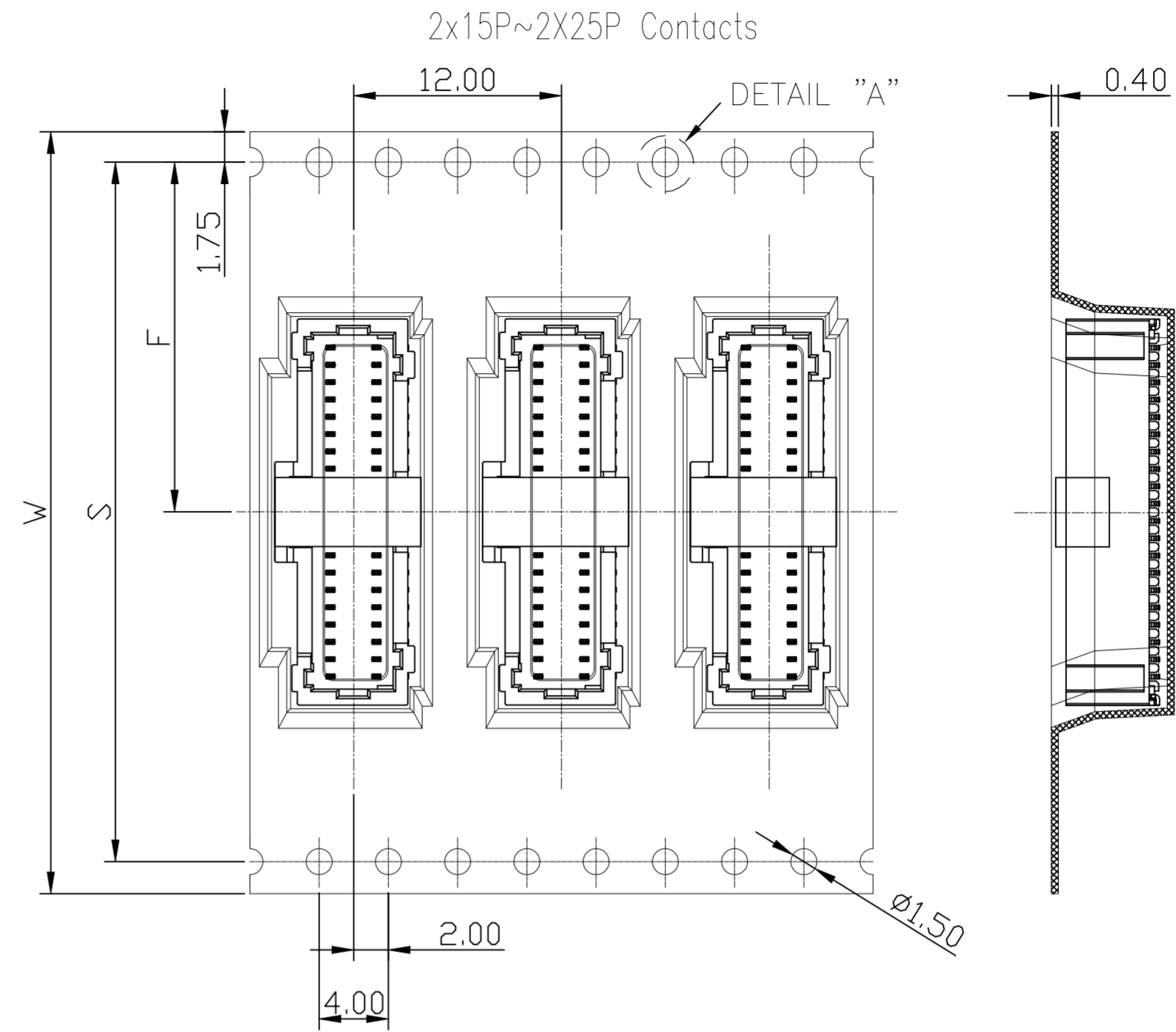
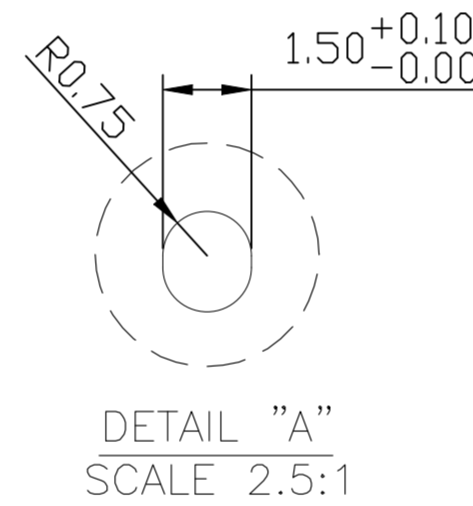
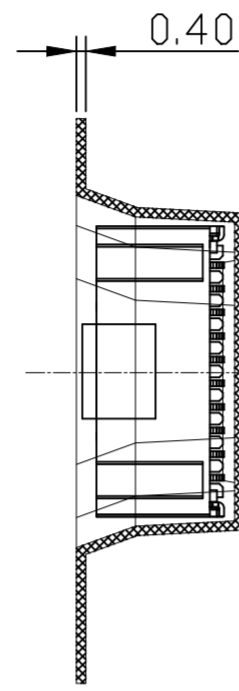
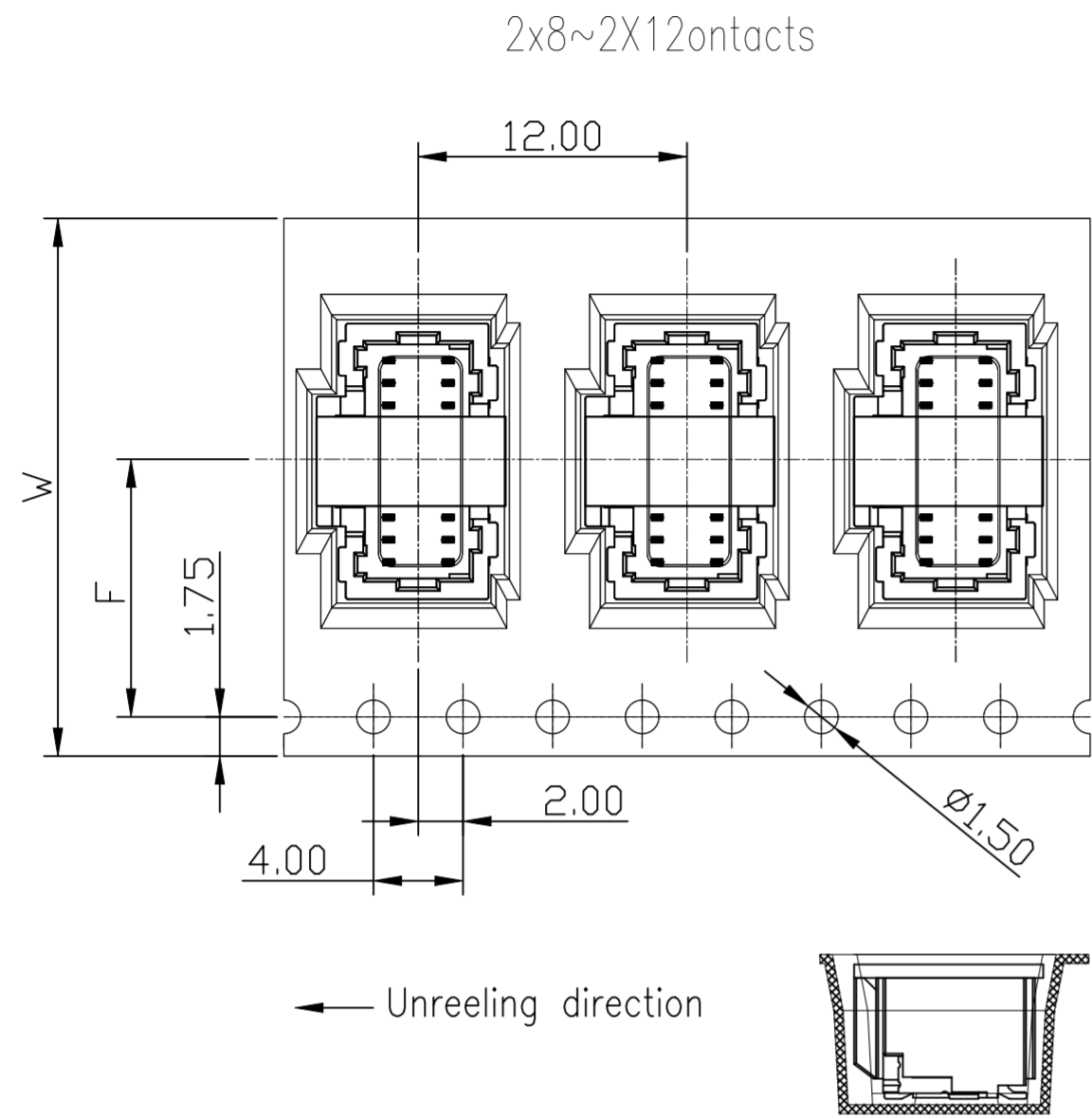


View for Representation

TC PN	Housing Material	Pin Material/Plating	Solder Tabs
2504449-X	PA9T,UL94V-0/Natural	Phosphor Bronze/Gold-flash	Brass/Matte Tin
1-2504449-X	PA9T,UL94V-0/Natural	Phosphor Bronze/0.38µm[15u"]Au	Brass/Matte Tin
2-2504449-X	PA9T,UL94V-0/Black	Phosphor Bronze/Gold-flash	Brass/Matte Tin
3-2504449-X	PA9T,UL94V-0/Black	Phosphor Bronze/0.38µm[15u"]Au	Brass/Matte Tin
4-2504449-X	PA9T,UL94V-0/Natural	Phosphor Bronze/2µm[80u"]Matte Tin	Brass/Matte Tin
5-2504449-X	PA9T,UL94V-0/Black	Phosphor Bronze/2µm[80u"]Matte Tin	Brass/Matte Tin

THIS DRAWING IS A CONTROLLED DOCUMENT.		DWN MADHAN S 24JUN2025		
DIMENSIONS: mm [INCHES]		CHK JAGRUTI M 24JUN2025		
TOLERANCES UNLESS OTHERWISE SPECIFIED:		APVD JAGRUTI M 03SEP2025	NAME -	
0 PLC ± -		PRODUCT SPEC	108-162162	
1 PLC ± 0.2		APPLICATION SPEC	114-161614	
2 PLC ± 0.1		SIZE	CAGE CODE	DRAWING NO
3 PLC ± -		WEIGHT	00779	C=2504449
4 PLC ± -		CUSTOMER DRAWING	SCALE	1:1
ANGLES ± -		RESTRICTED TO	SHEET	2 of 3
FINISH		REV	A	
SEE NOTE & TABLE				

REVISIONS					
P	LTR	DESCRIPTION	DATE	DWN	APVD
-	-	SEE SHEET 1	-	-	-



Number of Contacts	W±0.3	F±0.1	S±0.1	PCS/Reel	PCS/Box
2x8P~2X12P	24	11.50	—	1000	10000
2X15P~2X18P	32	14.20	28.40	1000	8000
2X20P~2X25P	44	20.20	40.40	1000	6000

THIS DRAWING IS A CONTROLLED DOCUMENT.

DWN	MADHAN_S	24JUN2025		TE Connectivity	
CHK	JAGRUTI_M	24JUN2025			
APVD	JAGRUTI_M	03SEP2025			
PRODUCT SPEC	108-162162				
APPLICATION SPEC	114-161614		NAME	—	
MATERIAL	SEE NOTE & TABLE	FINISH	SEE NOTE & TABLE	WEIGHT	0
CUSTOMER DRAWING		SCALE	1:1	SHEET	3 OF 3

SIZE: A2 CAGE CODE: 00779 DRAWING NO: C=2504449 RESTRICTED TO: —