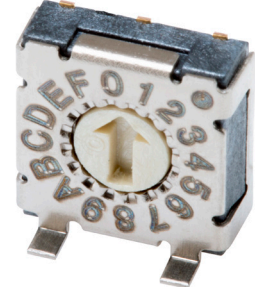


**SERIES:** RDS-7229-ASMT | **DESCRIPTION:** ROTARY DIP SWITCH**FEATURES**

- IP67 rated
- 4, 10, & 16 positions
- angled surface mount

**SPECIFICATIONS**

parameter	conditions/description	min	typ	max	units
rated voltage	switching			50	Vdc
	non-switching			50	Vdc
rated current	switching			100	mA
	non-switching			100	mA
withstanding voltage	for 1 minute		250		Vac
contact resistance				100	mΩ
insulation resistance	at 100 Vdc	100			MΩ
operating torque				200	gf*cm
actuator travel	continuous rotation		360		degrees
operating temperature		-40		85	°C
storage temperature		-40		85	°C
life	at 5 Vdc, 100 mA, 15~20 cycles/minute		10,000		steps
flammability rating	UL94V-0				
RoHS	yes				
IP level	IP67 (IEC 60529:2001)				

**PART NUMBER KEY**

**RDS - XXS - 7229 - X - ASMT - TR**

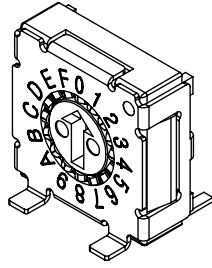
Base Number

No. of Positions:  
4 = 4 Positions  
10 = 10 Positions  
16 = 16 Positions

Actuator Style:  
A = Flat Arrow  
C = Flat Cross  
R = Raised Arrow  
S = Raised Slotted

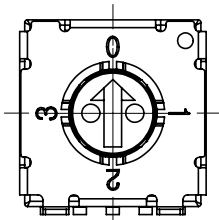
## MECHANICAL DRAWING (FLAT ARROW ACTUATOR)

units: mm  
tolerance: ±0.1 mm  
unless otherwise noted

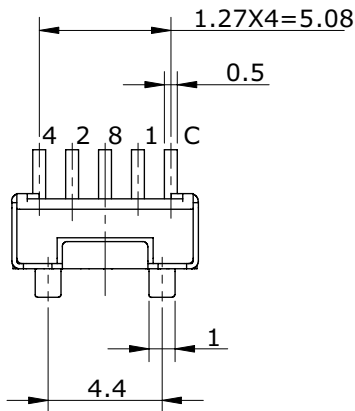
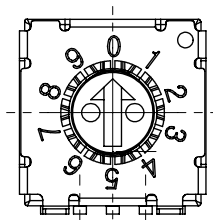


ITEM	DESCRIPTION	MATERIAL	PLATING/COLOR
1	actuator	LCP (UL94V-0)	blue [4 position] gray [10 position] ivory [16 position]
2	housing	LCP (UL94V-0)	dark gray
3	face plate	stainless steel	
4	terminals	copper alloy	gold

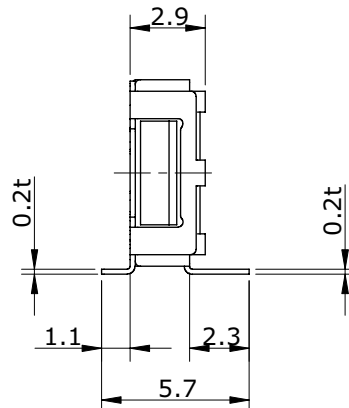
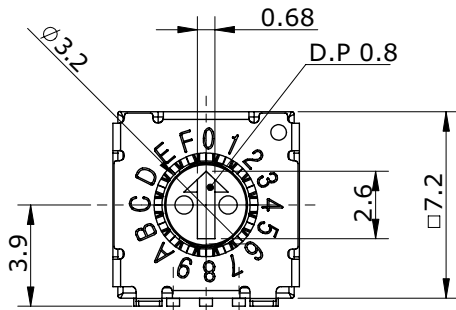
4 POSITION



10 POSITION

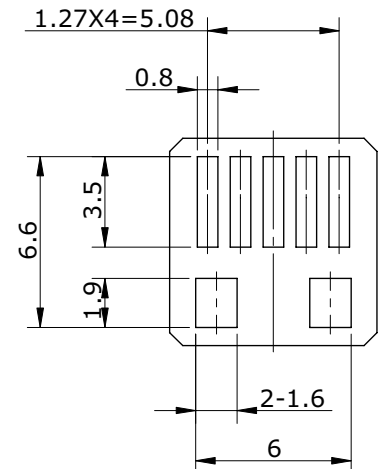


16 POSITION



ON ○					
OFF ●		CODE			
TYPE	POS	1	2	4	8
4 STEP*	0	●	●	●	●
	1	○	●	●	●
	2	●	○	●	●
	3	○	○	●	●
10 STEP	4	●	●	○	●
	5	○	●	○	●
	6	●	○	○	●
	7	○	○	○	●
	8	●	●	●	○
	9	○	●	●	○
16 STEP	A	●	○	●	○
	B	○	○	●	○
	C	●	●	○	○
	D	○	●	○	○
	E	●	○	○	○
	F	○	○	○	○

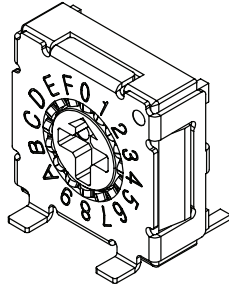
Note: \*Terminals 4 and 8 have no function on 4 position model.



Recommended PCB Layout  
Top View

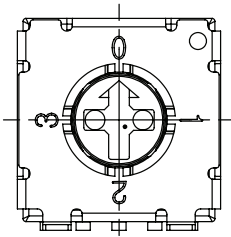
## MECHANICAL DRAWING (FLAT CROSS ACTUATOR)

units: mm  
tolerance: ±0.1 mm  
unless otherwise noted

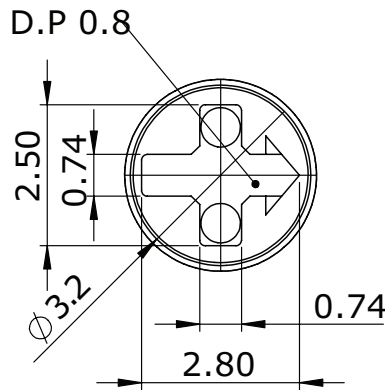
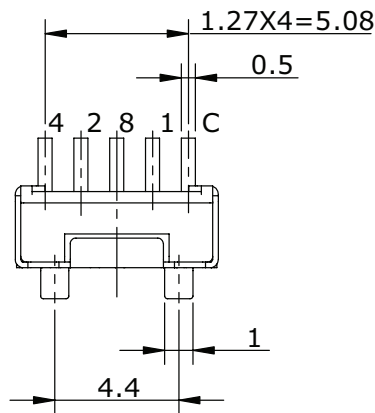
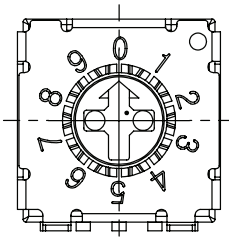


ITEM	DESCRIPTION	MATERIAL	PLATING/COLOR
1	actuator	LCP (UL94V-0)	blue [4 position] gray [10 position] ivory [16 position]
2	housing	LCP (UL94V-0)	dark gray
3	face plate	stainless steel	
4	terminals	copper alloy	gold

4 POSITION



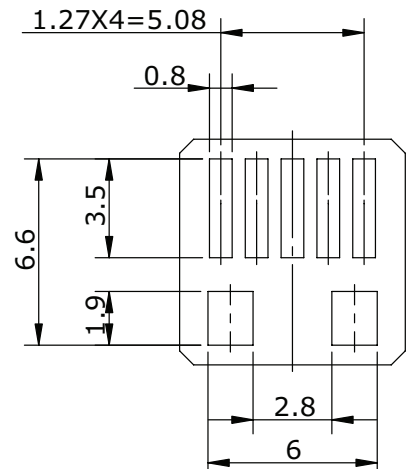
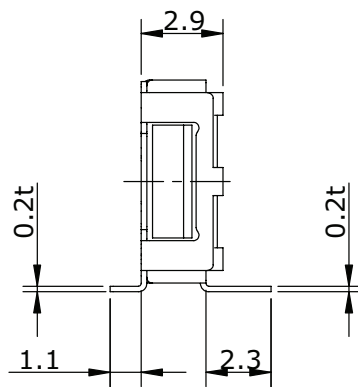
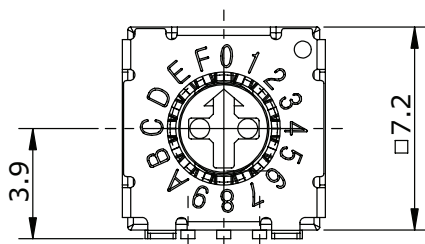
10 POSITION



ON ○		CODE				
OFF ●		POS	1	2	4	8
TYPE						
4 STEP*	0	●	●	●	●	●
	1	○	●	●	●	●
	2	●	○	●	●	●
	3	○	○	●	●	●
10 STEP	4	●	●	○	●	●
	5	○	●	○	●	●
	6	●	○	○	●	●
	7	○	○	○	●	●
	8	●	●	●	○	○
	9	○	●	●	○	○
16 STEP	A	●	○	●	○	○
	B	○	○	●	○	○
	C	●	●	○	○	○
	D	○	●	○	○	○
	E	●	○	○	○	○
	F	○	○	○	○	○

Note: \*Terminals 4 and 8 have no function on 4 position model.

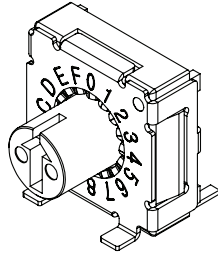
16 POSITION



Recommended PCB Layout  
Top View

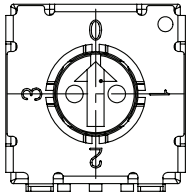
## MECHANICAL DRAWING (RAISED ARROW ACTUATOR)

units: mm  
tolerance: ±0.1 mm  
unless otherwise noted

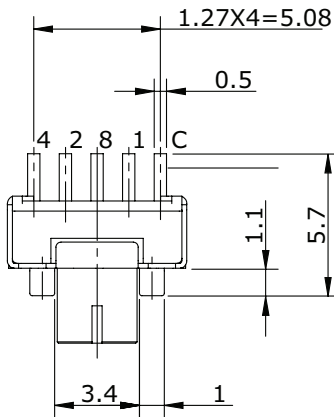
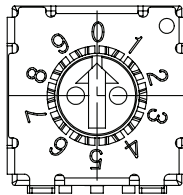


ITEM	DESCRIPTION	MATERIAL	PLATING/COLOR
1	actuator	LCP (UL94V-0)	blue [4 position] gray [10 position] ivory [16 position]
2	housing	LCP (UL94V-0)	dark gray
3	face plate	stainless steel	
4	terminals	copper alloy	gold

**4 POSITION**



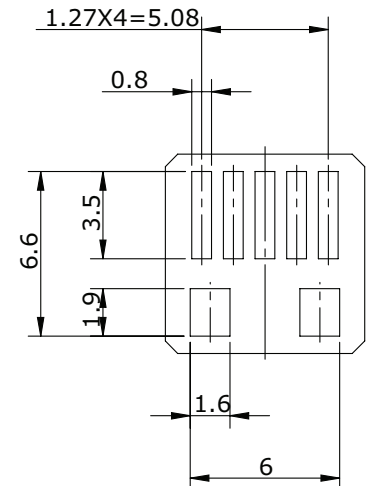
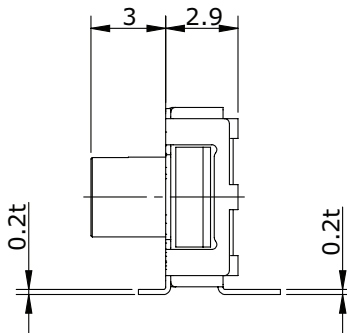
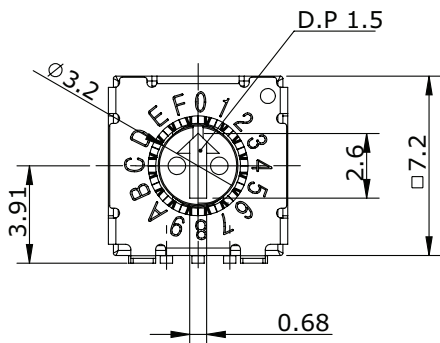
**10 POSITION**



ON ○					
OFF ●		CODE			
TYPE	POS	1	2	4	8
4 STEP*	0	●	●	●	●
	1	○	●	●	●
	2	●	○	●	●
	3	○	○	●	●
10 STEP	4	●	●	○	●
	5	○	●	○	●
	6	●	○	○	●
	7	○	○	○	●
	8	●	●	●	○
	9	○	●	●	○
16 STEP	A	●	○	●	○
	B	○	○	●	○
	C	●	●	○	○
	D	○	●	○	○
	E	●	○	○	○
	F	○	○	○	○

Note: \*Terminals 4 and 8 have no function on 4 position model.

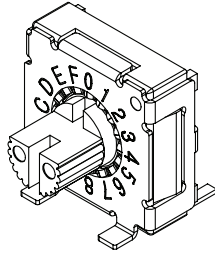
**16 POSITION**



Recommended PCB Layout  
Top View

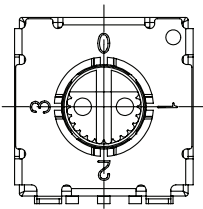
## MECHANICAL DRAWING (RAISED SLOTTED ACTUATOR)

units: mm  
tolerance: ±0.1 mm  
unless otherwise noted

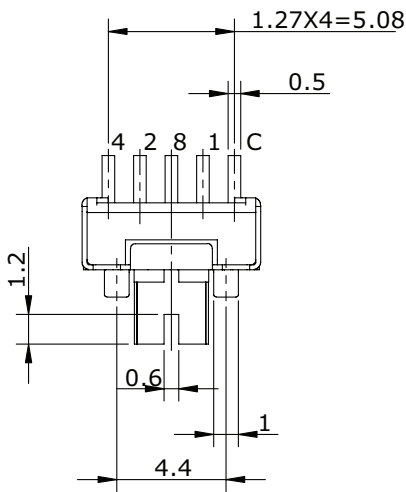
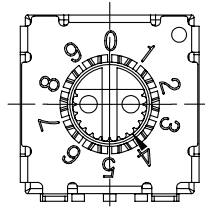


ITEM	DESCRIPTION	MATERIAL	PLATING/COLOR
1	actuator	LCP (UL94V-0)	blue (4 position) gray (10 position) ivory (16 position)
2	housing	LCP (UL94V-0)	dark gray
3	face plate	stainless steel	
4	terminals	copper alloy	gold

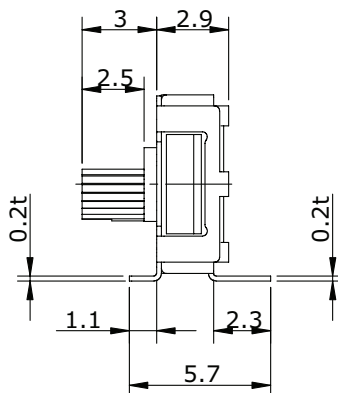
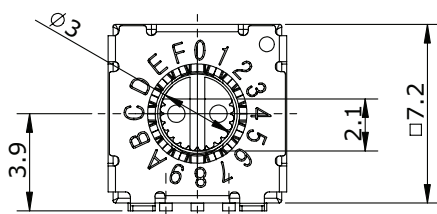
4 POSITION



10 POSITION

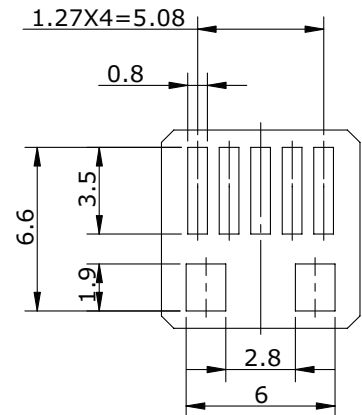


16 POSITION



ON ○					
OFF ●		CODE			
TYPE	POS	1	2	4	8
4 STEP*	0	●	●	●	●
	1	○	●	●	●
	2	●	○	●	●
	3	○	○	●	●
10 STEP	4	●	●	○	●
	5	○	●	○	●
	6	●	○	○	●
	7	○	○	○	●
	8	●	●	●	○
	9	○	●	●	○
16 STEP	A	●	○	●	○
	B	○	○	●	○
	C	●	●	○	○
	D	○	●	○	○
	E	●	○	○	○
	F	○	○	○	○

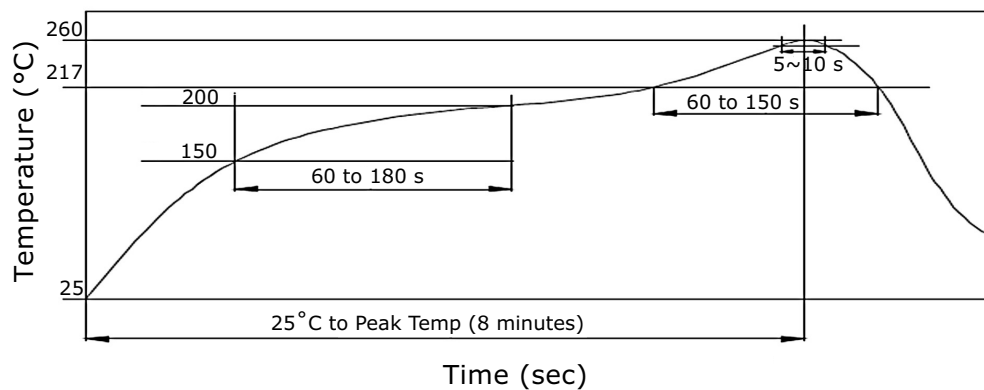
Note: \*Terminals 4 and 8 have no function on 4 position model.



Recommended PCB Layout  
Top View

## SOLDERABILITY

parameter	conditions/description	min	typ	max	units
hand soldering	for maximum 3 seconds			350	°C
reflow soldering				260	°C

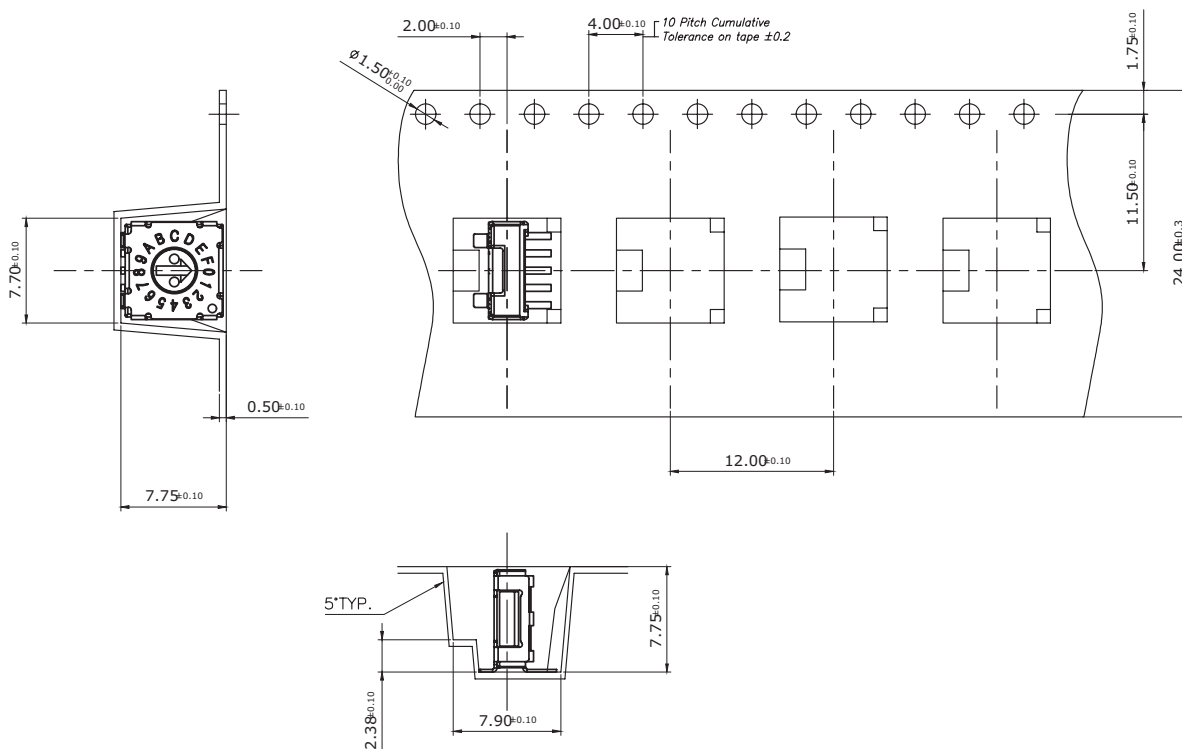


## PACKAGING

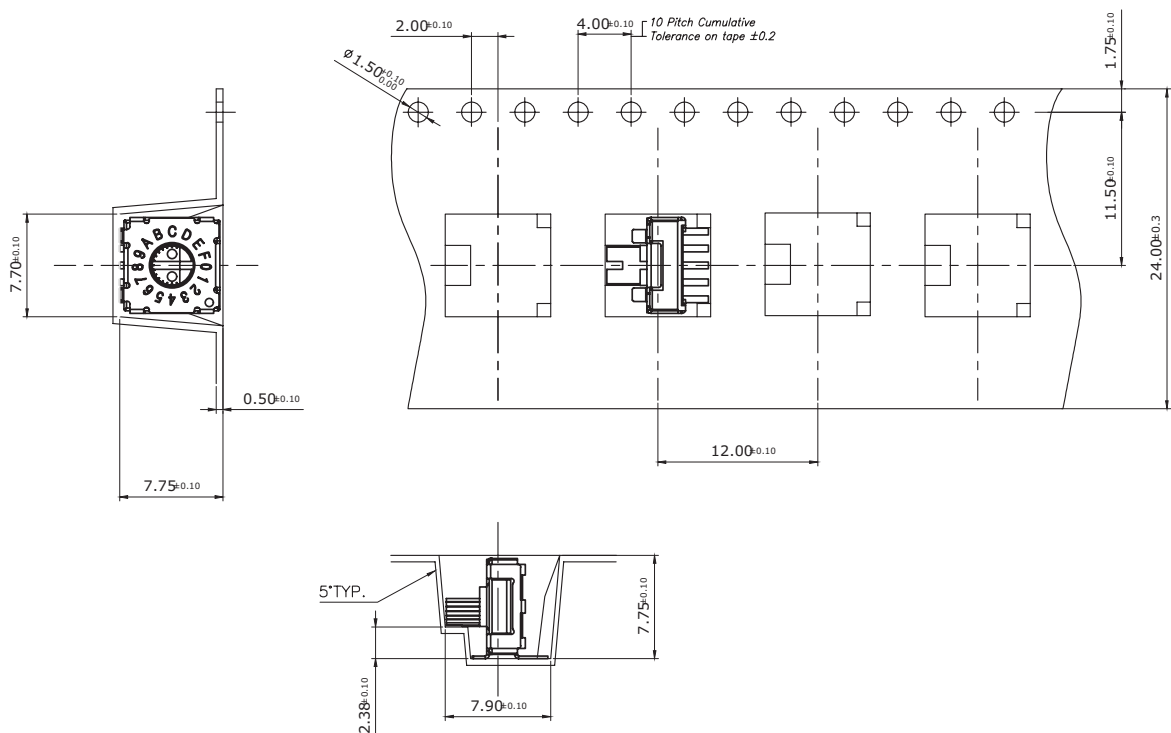
units: mm

Reel Size:  $\varnothing$ 330 mm  
QTY: 580 pcs

### FLAT ACTUATOR MODELS



### RAISED ACTUATOR MODELS



## REVISION HISTORY

rev.	description	date
1.0	initial release	12/11/2020
1.01	logo, datasheet style update	08/05/2022
1.02	CUI Devices rebranded to Same Sky	09/12/2024

The revision history provided is for informational purposes only and is believed to be accurate.



Same Sky offers a one (1) year limited warranty. Complete warranty information is listed on our website.

Same Sky reserves the right to make changes to the product at any time without notice. Information provided by Same Sky is believed to be accurate and reliable. However, no responsibility is assumed by Same Sky for its use, nor for any infringements of patents or other rights of third parties which may result from its use.

Same Sky products are not authorized or warranted for use as critical components in equipment that requires an extremely high level of reliability. A critical component is any component of a life support device or system whose failure to perform can be reasonably expected to cause the failure of the life support device or system, or to affect its safety or effectiveness.

[sameskydevices.com](https://www.sameskydevices.com)