



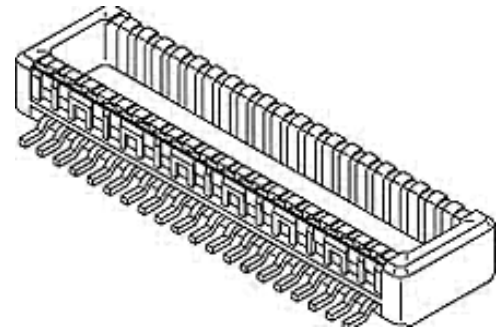
**Part Number :** [5003340160](#)

**Product Description :** 0.50mm Pitch SlimStack Plug, Surface Mount, Dual Row, Vertical, 2.50mm Stack Height, 16 Circuits

**Series Number :** 500334

**Status :** Active

**Product Category :** Board-to-Board Connectors



---

## Documents and Resources

### Drawings

[5003340160\\_sd.pdf](#)

### 3D Models and Design Files

[STEP AP242](#)

[SOLIDWORKS](#)

[Creo](#)

[Symbol and Footprint \(Multi-Format\)](#)

### Specifications


[SPK-500334-001-001.pdf](#)

[PS-54102-010-001.pdf](#)

---

## Product Environment Compliance

### Compliance

GADSL/IMDS	Compliant with Exemption 44; 33
China RoHS	 per SJ/T 11365-2006
EU ELV	Not Relevant
Low-Halogen Status	Low-Halogen per IEC 61249-2-21
REACH SVHC	Not Contained per D(2025)6375-DC (05 Nov 2025)
EU RoHS	Compliant per EU 2015/863

### [Compliance Statements](#)

- EU RoHS

- REACH SVHC
- Low-Halogen

#### Industry Documents

- IPC 1752A Class C
- IPC 1752A Class D
- Molex Product Compliance Declaration
- IEC-62474
- chemSHERPA (xml)

#### Substances of Interest

- PFAS

#### EU RoHS Certificate of Compliance

#### Additional Product Compliance Information

## Part Details

### General

Status	Active
Category	Board-to-Board Connectors
Series	0.5, BB H2.5
Description	0.50mm Pitch SlimStack Plug, Surface Mount, Dual Row, Vertical, 2.50mm Stack Height, 16 Circuits
Application	Board-to-Board, Signal
Component Type	PCB Header, Plug
Product Name	SlimStack
UPC	756054527047

### Agency

UL	E29179
----	--------

### Electrical

Current - Maximum per Contact	0.5A
Voltage - Maximum	50V

### Physical

Breakaway	No
Circuits (Loaded)	16

Circuits (maximum)	16
Color - Resin	Black
Durability (mating cycles max)	30
First Mate / Last Break	No
Flammability	94V-0
Glow-Wire Capable	No
Guide to Mating Part	No
Keying to Mating Part	None
Lock to Mating Part	Yes
Mated Height	2.50mm
Mated Width	5.30mm
Material - Metal	Brass
Material - Plating Mating	Gold
Material - Plating Termination	Gold
Net Weight	32.629/mg
Number of Rows	2
Orientation	Vertical
Packaging Type	Embossed Tape on Reel
PCB Locator	No
PCB Retention	None
Pitch - Mating Interface	0.50mm
Polarized to PCB	No
Temperature Range - Operating	-40° to +105°C
Termination Interface Style	Surface Mount

---

## Mates With / Use With

### Mates with Part(s)

Description	Part Number
0.50mm Pitch Vertical SlimStack Receptacles	<u>54102</u>

---

This document was generated on Dec 25, 2025