

6

5

4

3

2

1

D

D

C

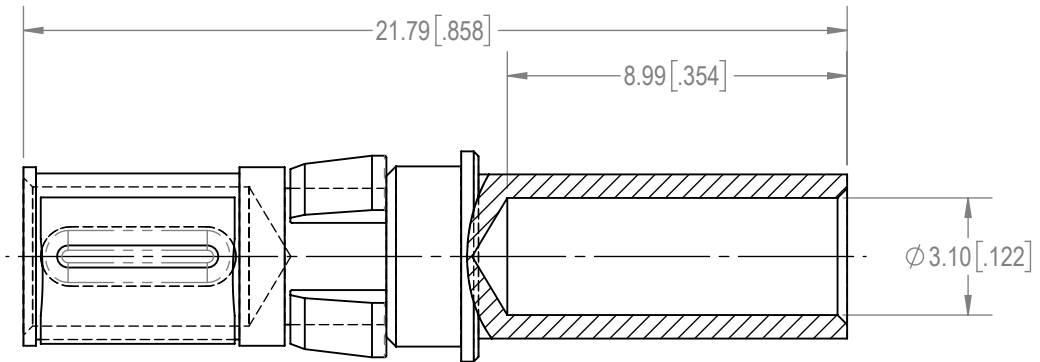
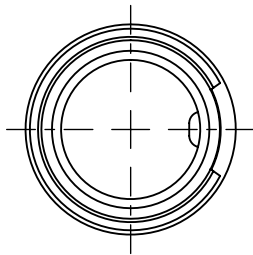
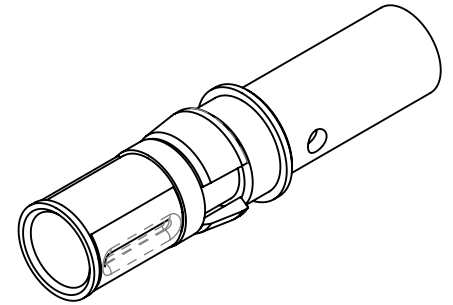
C

B


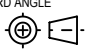
B

A

A

**NOTES:**

- MATERIAL AND FINISHES:
CONTACT: PRECISION MACHINED COPPER ALLOY, GOLD FLASH OVER NICKEL PLATE.
RETENTION RING: POLYETHERIMIDE, COLOR: BLACK.
SPRING CLIP: BERYLLIUM COPPER, GOLD FLASH OVER NICKEL PLATE.
- DETAILED PRODUCT, MECHANICAL AND ELECTRICAL INFORMATION IS AVAILABLE IN THE LATEST STANDARD DENSITY COMBO-D PRODUCT PUBLICATION AT CONNECTPOSITRONIC.COM.
- CONTACT IS COMPLIANT TO THE CURRENT RoHS DIRECTIVE.
- CRIMPING TOOL INFORMATION IS AVAILABLE AT WWW.CONNECTPOSITRONIC.COM/CRIMPTOOLCROSSLIST.

BY	SB	CHK	SS	3RD ANGLE	POSITRONIC BELIEVES THE DATA ON THE DRAWING TO BE RELIABLE. THE USER EMPLOYS SUCH INFORMATION AT HIS OWN DISCRETION AND RISK. POSITRONIC ASSUMES NO RESPONSIBILITY FOR RESULTS OBTAINED OR DAMAGES INCURRED FROM USE OF SUCH INFORMATION IN WHOLE OR IN PART.	 Positronic [®] CONNECTPOSITRONIC.COM
APR	PA	RELEASED DATE: 2019-08-29				
TOLERANCES				SCALE	NTS	
±0.03mm [.001 INCHES] FOR MALE CONTACT MATING DIAMETERS ±0.08mm [.003 INCHES] FOR CONTACT TERMINATION DIAMETERS ±0.13mm [.005 INCHES] FOR ALL OTHER DIAMETERS ±0.38mm [.015 INCHES] FOR ALL OTHER DIMENSIONS ±5° FOR ALL ANGLES DIMENSION ARE IN MILLIMETERS [INCHES]				PART NUMBER	FC4010D/AA	SERIES CBD/CBM
				TITLE	FC4010D/AA	
				CREATED ON:	2019-07-26	SHEET SHEET 1 OF 1
						REV A

6

5

4

3

2

1