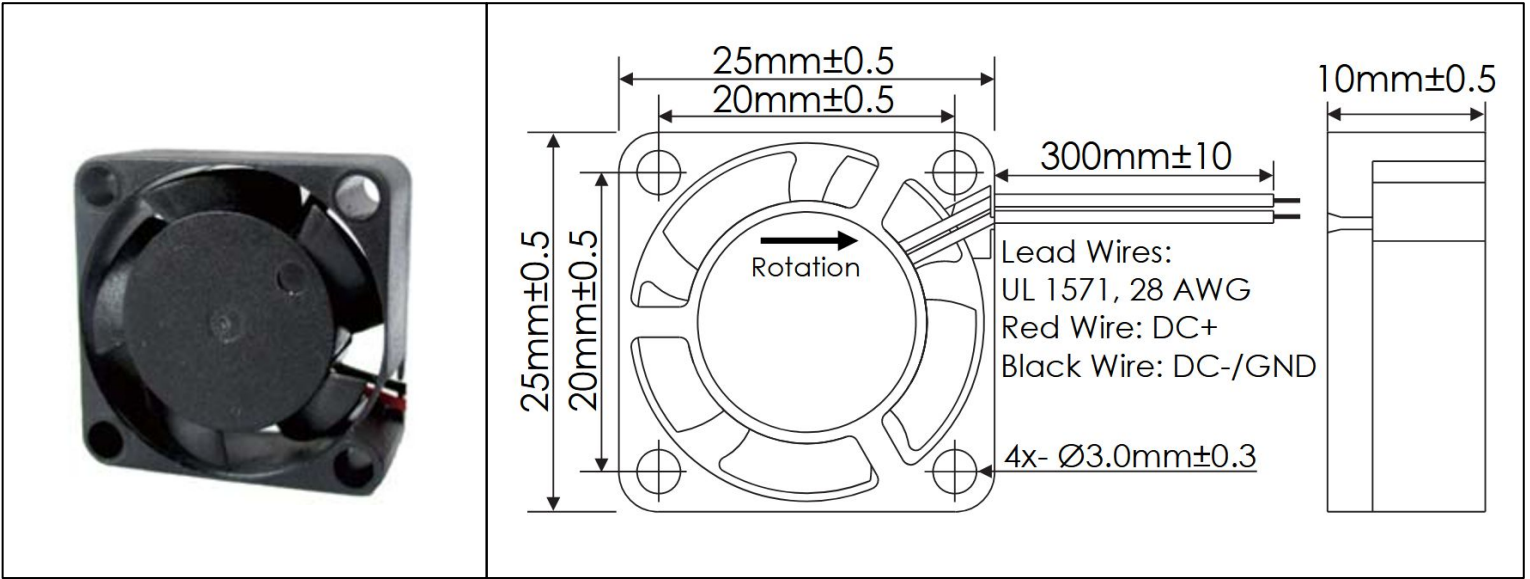


OD2510 Series



DC Fans - 5, 12, 24V
25mm x 10mm (1.38" x 0.39")



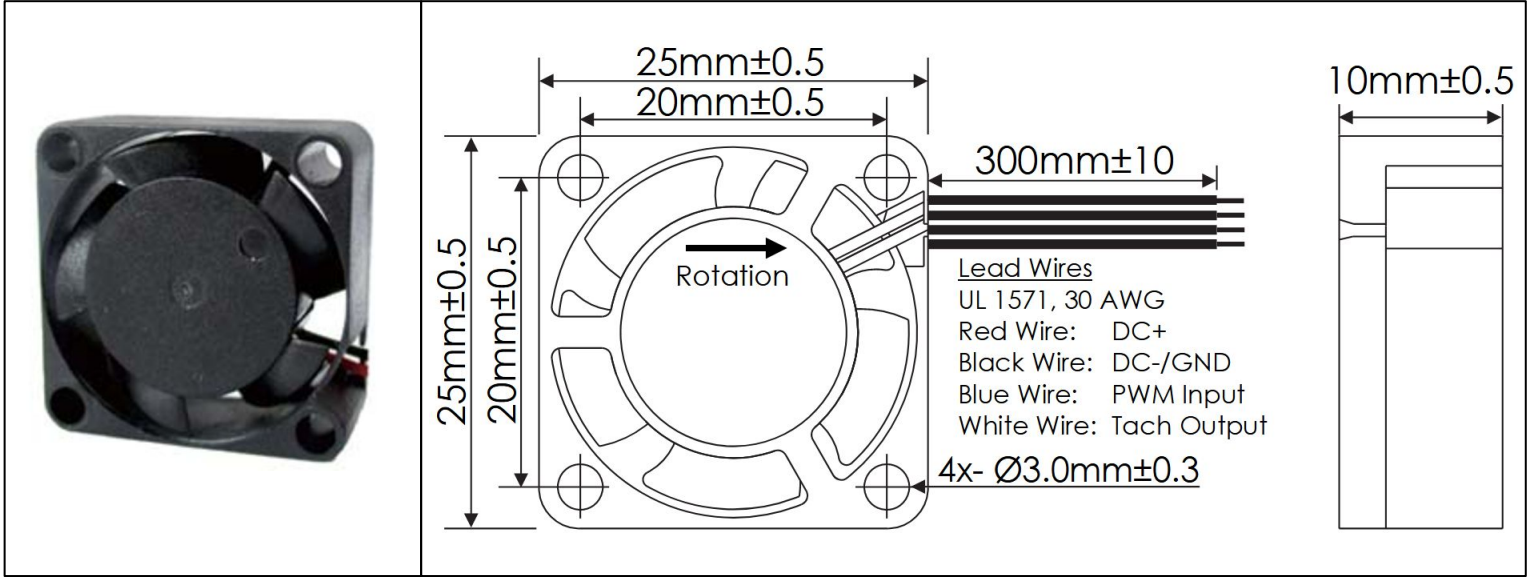
Frame	PBT, UL94 V-0 Plastic	<u>Operating Temperature</u> -20°C ~ +65°C <u>Storage Temperature</u> -20°C ~ +75°C <u>Life Expectancy</u> 70,000 Hours (L10 at 40°C) <u>Available Options</u> Tachometer Output Alarm Output PWM Speed Control Input IP Ratings Weight: 0.02 lbs.	
Impeller	PBT, UL94 V-0 Plastic		
Connection	2x Wire Leads, 28 AWG		
Motor	Brushless DC, Auto Cutoff, Auto Restart, Electronically Protected, Polarity Protected		
Bearing System	Dual Ball Bearings		
Dielectric Strength	500VDC/min, <1mA		
Insulation Resistance	≥10M Ohm @ 500 VDC		

Part Number	Rated Voltage (Volts DC)	Voltage Range (Volts DC)	Input Power (Watts)	Rated Current (Amps)(~Max)	Rated Speed (RPM)	Max Airflow (CFM)	Noise Level (dBA)	Max Static Pressure ("H ₂ O)
OD2510-05HB	5	4.5 ~ 5.5	1.10	0.18 (~0.22)	11500	2.7	29.2	0.27
OD2510-05MB	5	4.5 ~ 5.5	0.75	0.12 (~0.15)	9250	2.0	24.4	0.20
OD2510-05LB	5	4.5 ~ 5.5	0.45	0.07 (~0.09)	6300	1.3	18.1	0.16
OD2510-12HB	12	11 ~ 13.8	0.96	0.06 (~0.08)	11500	2.7	29.2	0.27
OD2510-12MB	12	11 ~ 13.8	0.60	0.03 (~0.05)	9250	2.0	24.4	0.20
OD2510-12LB	12	11 ~ 13.8	0.48	0.02 (~0.04)	6300	1.3	18.1	0.16
OD2510-24HB	24	22 ~ 26	1.56	0.03 (~0.065)	11500	2.7	29.2	0.27
OD2510-24MB	24	22 ~ 26	0.96	0.02 (~0.04)	9250	2.0	24.4	0.20
OD2510-24LB	24	22 ~ 26	0.72	0.02 (~0.03)	6300	1.3	18.1	0.16



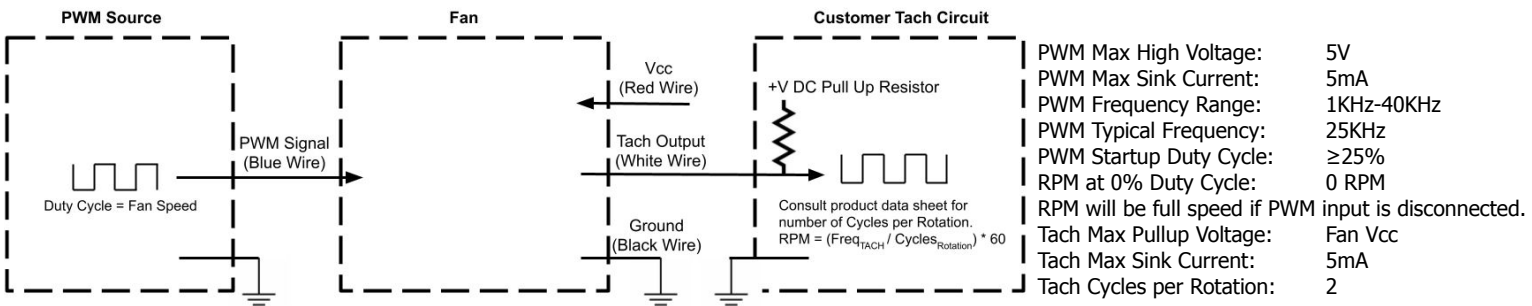
OD2510 Series with PWM and Tachometer

DC Fans - 12, 24V
25mm x 10mm (1.38" x 0.39")



Frame	PBT, UL94 V-0 Plastic	Operating Temperature -20°C ~ +65°C Storage Temperature -20°C ~ +75°C Life Expectancy 70,000 Hours (L10 at 40°C)	
Impeller	PBT, UL94 V-0 Plastic		
Connection	4x Wire Leads, 30 AWG		
Motor	Brushless DC, Auto Cutoff, Auto Restart, Electronically Protected, Polarity Protected	Installed Options PWM Speed Control Open Collector Tachometer	
Bearing System	Dual Ball Bearings	Available Options IP Ratings	
Dielectric Strength	500VDC/min, <1mA	Weight: 0.02 lbs.	
Insulation Resistance	≥10M Ohm @ 500 VDC		

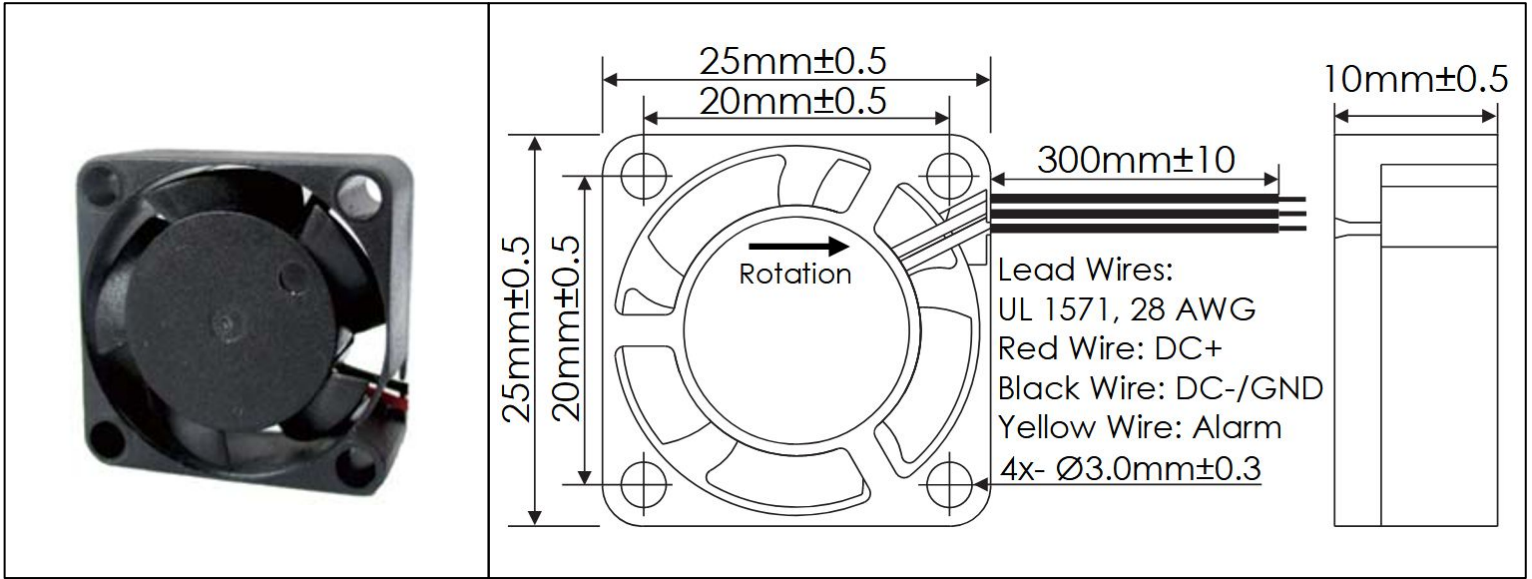
Part Number	Rated Voltage (Volts DC)	Voltage Range (Volts DC)	Input Power (Watts)	Rated Current (Amps)(~Max)	Rated Speed (RPM)	Max Airflow (CFM)	Noise Level (dBA)	Max Static Pressure (\"H ₂ O)
OD2510-12HB10A	12	11 ~ 13.8	0.96	0.06 (~0.08)	11500	2.7	29.2	0.27
OD2510-12MB10A	12	11 ~ 13.8	0.60	0.03 (~0.05)	9250	2.0	24.4	0.20
OD2510-24HB10A	24	22 ~ 26	1.56	0.03 (~0.065)	11500	2.7	29.2	0.27
OD2510-24MB10A	24	22 ~ 26	0.96	0.02 (~0.04)	9250	2.0	24.4	0.20



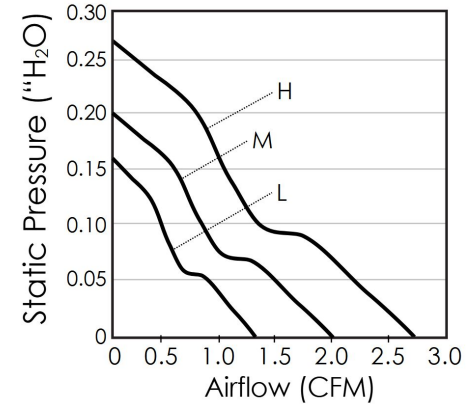
OD2510 Series with Alarm



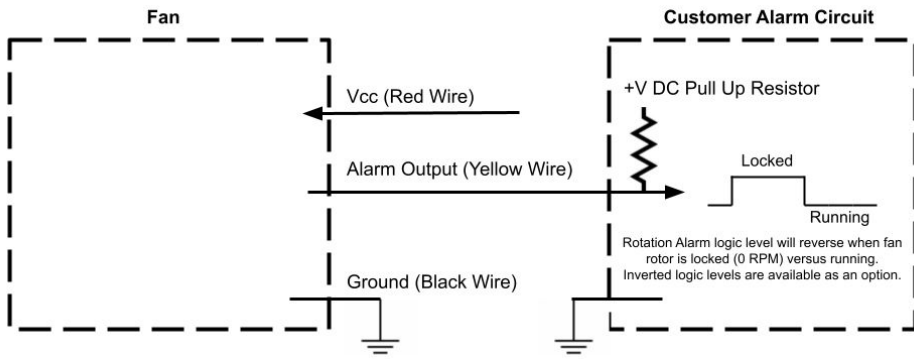
DC Fans - 12, 24V
25mm x 10mm (1.38" x 0.39")



Frame	PBT, UL94 V-0 Plastic	<u>Operating Temperature</u> -20°C ~ +65°C <u>Storage Temperature</u> -20°C ~ +75°C <u>Life Expectancy</u> 70,000 Hours (L10 at 40°C)
Impeller	PBT, UL94 V-0 Plastic	
Connection	3x Wire Leads, 28 AWG	<u>Installed Options</u> Open Collector Alarm <u>Available Options</u> 5V TTL Alarm Output Inverted Alarm Logic
Motor	Brushless DC, Auto Cutoff, Auto Restart, Electronically Protected, Polarity Protected	
Bearing System	Dual Ball Bearings	Weight: 0.02 lbs.
Dielectric Strength	500VDC/min, <1mA	
Insulation Resistance	≥10M Ohm @ 500 VDC	



Part Number	Rated Voltage (Volts DC)	Voltage Range (Volts DC)	Input Power (Watts)	Rated Current (Amps)(~Max)	Rated Speed (RPM)	Max Airflow (CFM)	Noise Level (dBA)	Max Static Pressure ("H ₂ O)
OD2510-12HB02A	12	11 ~ 13.8	0.96	0.06 (~0.08)	11500	2.7	29.2	0.27
OD2510-12MB02A	12	11 ~ 13.8	0.60	0.03 (~0.05)	9250	2.0	24.4	0.20
OD2510-24HB02A	24	22 ~ 26	1.56	0.03 (~0.065)	11500	2.7	29.2	0.27
OD2510-24MB02A	24	22 ~ 26	0.96	0.02 (~0.04)	9250	2.0	24.4	0.20



Alarm Max Pullup Voltage: Fan Vcc
 Alarm Max Sink Current: 5mA
 Alarm ACTIVE (0 RPM) State: HIGH