

TACT Switch™ Surface Mount Type

4.2×3.2mm Compact High Operating Force (Surface Mount)

SKRP Series

Short-stroke type with a height of 2.5mm, 0.2mm travel, wide stem area for excellent mountability, with long-life options.



 Automotive

※Please check the product list for compatible products

- Series type: Sharp feeling type
- Absolute Maximum Ratings: 50mA 16V DC
- Rating (min.): 10μA 1V DC

Applications: Mobile: Notebooks, peripherals
 Energy_Industrial: Robots, drones, Industrial equipment, Converters
 Game: Home handheld consoles, Virtual/augmented reality
 Healthcare: Healthcare equipment, Nursing care equipment, Analysis, test equipment
 Home: Major home appliances, Office equipment
 Audio_TV: Visual, Audio, Pro audio
 Automotive: Remote Keyless Entry (RKE), Navigation/audio systems, HVAC, Overhead consoles, Steering, Shifter

■ Product List

Products No.	Type	Operating direction	Operating force (N)	Travel (mm)	Operating life (cycles)	Initial contact resistance	Dimensions (W×D×H) (mm)	Water-proof	Dust-proof	Automotive	Drawing No.
SKRPAKE010	Standard type	Top push	1.0	0.15	1,000,000	500mΩ max.	4.2×3.2×2.5	—	—	—	1
SKRPABE010		Top push	1.57	0.2	100,000	500mΩ max.	4.2×3.2×2.5	—	—	●	
SKRPACE010		Top push	2.55	0.2	50,000	500mΩ max.	4.2×3.2×2.5	—	—	●	
SKRPAME010		Top push	3.0	0.2	100,000	500mΩ max.	4.2×3.2×2.5	—	—	●	
SKRPADE010		Top push	4.0	0.2	100,000	500mΩ max.	4.2×3.2×2.5	—	—	●	
SKRPARE010		Top push	5.0	0.2	300,000	500mΩ max.	4.2×3.2×2.5	—	—	●	
SKRPANE010	Long life type	Top push	1.57	0.2	1,000,000	500mΩ max.	4.2×3.2×2.5	—	—	●	
SKRPASE010		Top push	2.55	0.2	500,000	500mΩ max.	4.2×3.2×2.5	—	—	●	

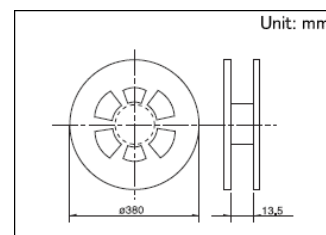
Note

1. This catalog shows only outline specifications. When using the products, please obtain formal specifications for supply.
2. Please place purchase orders for taping products per minimum order unit (1 reel or a case).

■ Packing Specifications

Taping

Number of packages (pcs.)			Tape width (mm)	Export package measurements (mm)
1 reel	1 case / Japan	1 case / export packing		
4,000	40,000	40,000	12	395 x 395 x 205



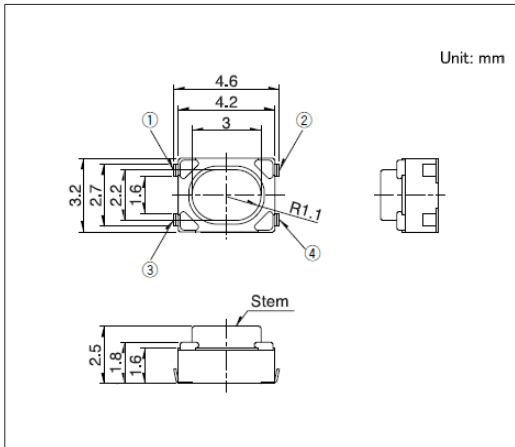
TACT Switch™ Surface Mount Type

4.2×3.2mm Compact High Operating Force (Surface Mount)

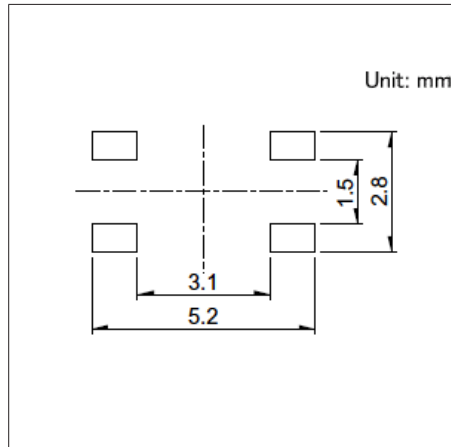
SKRP Series

Drawing No.1

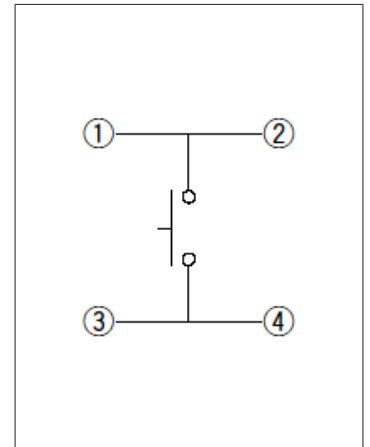
■ Dimensions



■ Land Dimensions



■ Circuit Diagram



Viewed from mounting face.