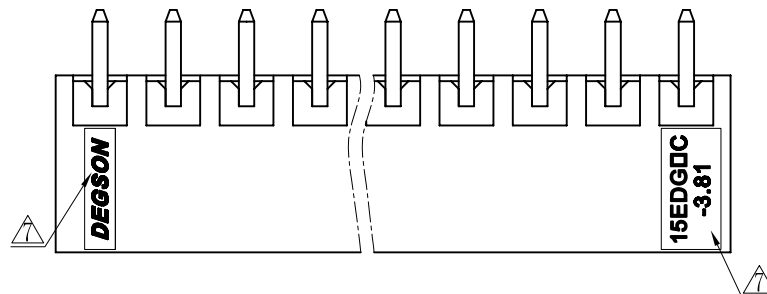
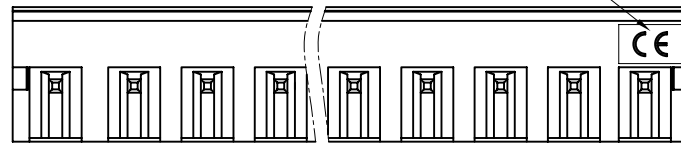
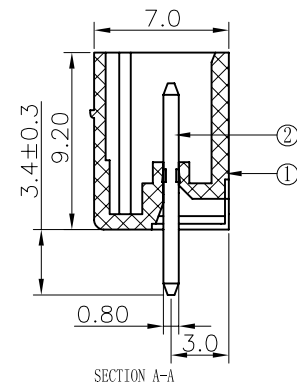
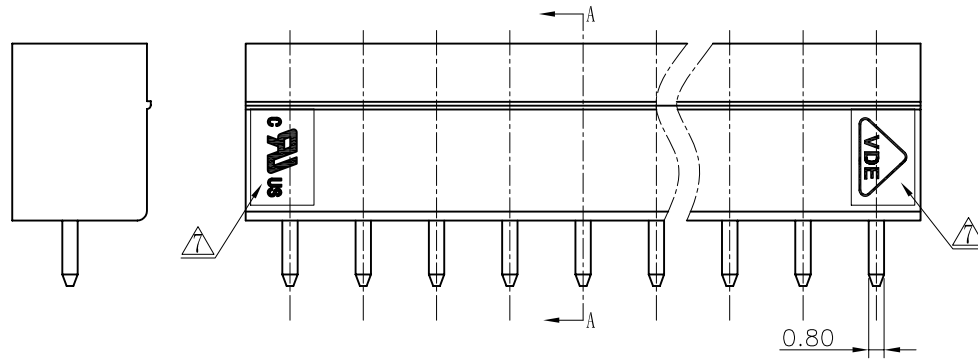
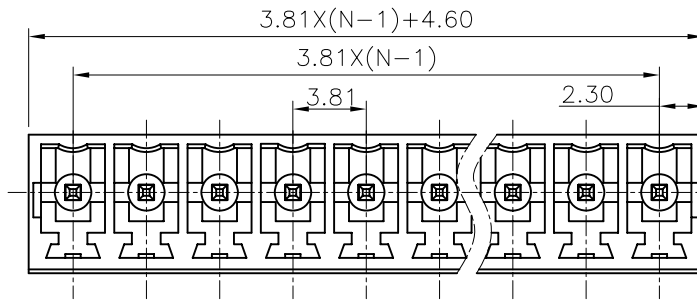


| REVISION RECORD | | | | |
|-----------------|-----|------------------|-------|-----------|
| REV | ECO | DESCRIPTION | DRFT | DATE |
| △1 | | Drawing emend | WF | 05/07/06* |
| △2 | | 去掉UL中的小“R”字 | CSX | 09/17/07* |
| △3 | | 更新图面 | LJH | 03/01/08* |
| △4 | | 老模新开更改刻字 | WLM | 07/12/08* |
| △5 | | 增加自动化方针 | WLM | 10/31/08* |
| △6 | | 增加VDE, CE刻字及修改刻字 | Zengy | 12/26/08* |
| △7 | | 工程变更2-6P取消卡槽 | XGF | 04/11/09* |



Notes:

1. Pitch: 3.81mm , Poles: 2-24P
2. Rated voltage/current: UL 300V/8A
VDE 250V/7A
3. Operation temperatures: -40°C ~ +105°C
4. Withstanding Voltage: AC2000V/1min
5. Insulation Resistance: 5000MΩ/DC1000V
6. Undimensioned Tolerances:

| Pitch range in mm | | Nominal dimension range in mm | | | | | — |
|-------------------|--------------|-------------------------------|-------|---------------|----------------|-----------------|-------------------------|
| to 6 | over 6 to 10 | over 10 to 24 | to 30 | over 30 to 60 | over 60 to 100 | over 100 to 150 | ∩ ∇ |
| ±0.10 | ±0.15 | ±0.25 | ±0.2 | ±0.3 | ±0.5 | ±0.7 | ±1.0 ^{0.05/10} |

| | | | | | |
|---|--------------------|-------------------|----|-------|--------------------|
| 2 | 15EDGVC-Pin header | △6 1002B00060 (H) | XX | Brass | Automatic assembly |
| 2 | 15EDGVC-Pin header | 1002B00010 (H) | XX | Brass | Manual assembly |

| ITEM | NAME OF PART | NO. OF PART | Q"TY | MATERIAL | NOTES | | | | | | | | | | | | |
|----------------------------------------------------------------------------------------------------------------------------------------------------------------------------------------------------------------------------------------------------------------------------------------|----------------------|----------------|--------------|---------------|----------------------------|--------|------|------------|-----|------------------------------|--|-------|------|------------------------------------------------------------------------------------------------------------------------------------------------|--|--|--|
| 1 | 15EDGVC-3.81-Housing | 1003A0YXXA (H) | 1 | PA66 | UL94V-0 | | | | | | | | | | | | |
| <table border="1"> <tr> <td>← MM (INCH) →</td> <td>DFTO: Zhuwm</td> <td>DATE 07/24/04</td> </tr> <tr> <td>TOLERANCES EXCEPT AS NOTED</td> <td>CHKD</td> <td>DATE</td> </tr> <tr> <td></td> <td>MFO</td> <td>DATE</td> </tr> <tr> <td></td> <td>APPVL</td> <td>DATE</td> </tr> </table> | | ← MM (INCH) → | DFTO: Zhuwm | DATE 07/24/04 | TOLERANCES EXCEPT AS NOTED | CHKD | DATE | | MFO | DATE | | APPVL | DATE | <p style="text-align: center;">DEGSON® 宁波高正电子有限公司 DEGSON ELECTRONICS CO., LTD</p> <p>NAME 15EDGVC-3.81-XXP-1Y-00A(H)</p> | | | |
| ← MM (INCH) → | DFTO: Zhuwm | DATE 07/24/04 | | | | | | | | | | | | | | | |
| TOLERANCES EXCEPT AS NOTED | CHKD | DATE | | | | | | | | | | | | | | | |
| | MFO | DATE | | | | | | | | | | | | | | | |
| | APPVL | DATE | | | | | | | | | | | | | | | |
| <table border="1"> <tr> <td>MM</td> <td>±</td> </tr> <tr> <td>.00 ±</td> <td>±</td> </tr> <tr> <td>.000 ±</td> <td>±</td> </tr> </table> | | MM | ± | .00 ± | ± | .000 ± | ± | MATERIAL : | | DRAWING NO. 15EDGVC-3.81-E03 | | | | | | | |
| MM | ± | | | | | | | | | | | | | | | | |
| .00 ± | ± | | | | | | | | | | | | | | | | |
| .000 ± | ± | | | | | | | | | | | | | | | | |
| ANGLES ± 1' | | G.E : | | SIZE A3 | | | | | | | | | | | | | |
| | | FINISH : | | REV T8 | | | | | | | | | | | | | |
| THIRD ANGLE PROJECTION | | SCALE : 1:1 | | 04/11/09* | | | | | | | | | | | | | |
| DO NOT SCALE DRAWING | | | SHEET 1 OF 1 | | | | | | | | | | | | | | |