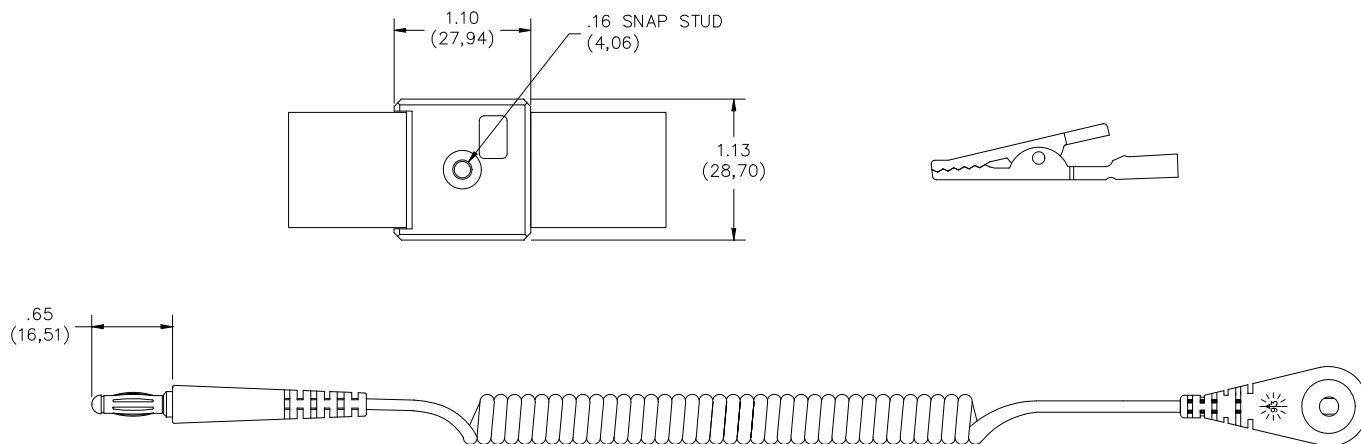


Model 6082
Elastic Wrist Strap with Clip & Cord



Materials

Wrist Strap:

- Body – Impact resistant plastic
- Strap – Elastic Fibers with Silver Plated Nylon yarn.
Circumference: 2.50" (64,0) min., 13.00" (330,0) max.
- Snap and Cam – Stainless Steel

Ground Cord:

- Banana Plug:
 - Body – Brass, Nickel-plated
 - Insulation – PVC, Black
- Cord:
 - Material – Coiled Tinsel
 - Insulation – Polyurethane 2.25mm O.D.
 - Length: 6 feet, extended
- Snap (4mm):
 - Body – Brass, Nickel-plated, 0.12" (3,2) I.D.
 - Insulation – PVC, Black

Ordering Information

- Model: 6082
- Packaging: Elastic Strap, Ground Cord, Alligator Clip, and Instruction Sheet per bag.

Features

- A complete wrist strap kit features the adjustable fabric wrist strap.
- Also included: Resistive Coiled Cord (1 Megohm resistor molded in) extendable to 6 feet with a Straight Banana Plug and Alligator Clip.

USA: Sales: 800-490-2361
 Technical Support: technicalsupport@pomonatest.com
 Fax: 425-446-5844
Europe: 31-(0) 40 2675 150 **International:** 425-446-5500
Where to Buy: www.pomonaelectronics.com

All dimensions are in inches. Tolerances (except noted): .xx = ±.02" (.51 mm), .xxx = ±.005" (.127 mm). All specifications are to the latest revisions. Specifications are subject to change without notice. Registered trademarks are the property of their respective companies.