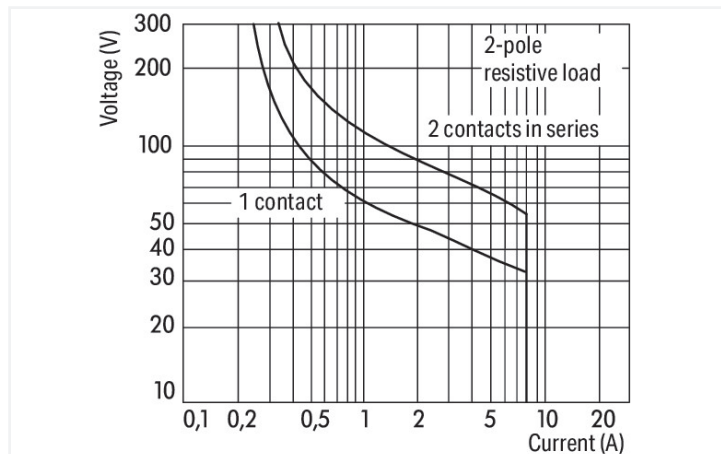


# Data Sheet | Item Number: 2042-3889

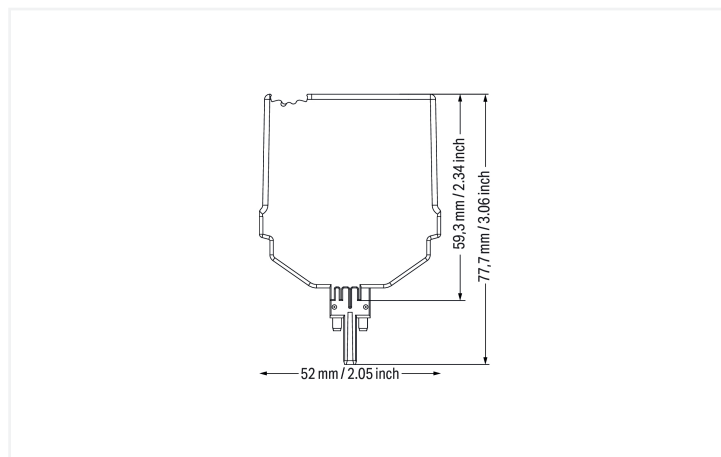
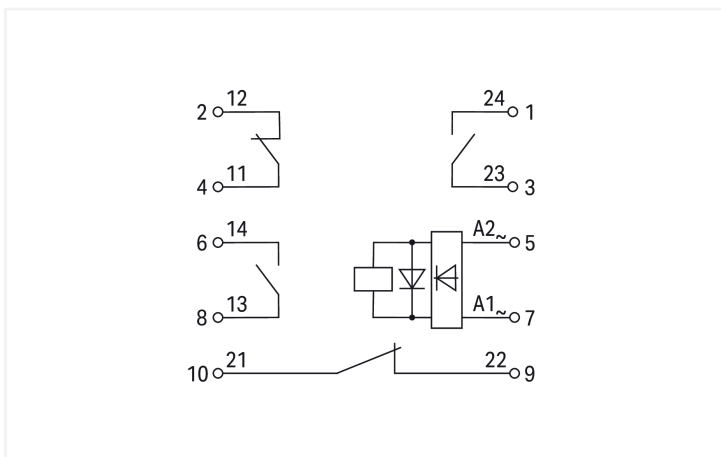
Relay module; Nominal input voltage: 24 ... 230 V AC/DC; 2 break and 2 make contacts; Limiting continuous current: 3 A; Green status indicator; Module width: 25 mm



<https://www.wago.com/2042-3889>



DC load limit curve



## Technical data

Control circuit	
Nominal input voltage $U_N$	24 ... 230 VAC/VDC
Input voltage range	$\pm 10\%$
Nominal input current at $U_N$	6 mA (230 V); 58.4 mA (24 V)

Load circuit	
Number of break/switch-off contacts	2
Number of make/switch-on contacts	2
Contact material (relay)	AgNi
Limiting continuous current	3 A
Inrush current (resistive) max.	(AC) 15 A / 4 s
Switching Voltage, Max.	250 VAC
Switching power (resistive) max.	AC 750 VA; DC (see load limit curve)
Recommended minimum load	12 V / 10 mA
Pull-in time (typ.)	8 ms
Drop-out time (typ.)	6 ms
Bounce time (typ.)	4 ms
Electrical life (NO; resistive load; 23 °C)	100 x 10 <sup>3</sup> switching operations
Mechanical life	10 x 10 <sup>6</sup> switching operations

### Signaling

Status indicator	Green LED
------------------	-----------

### Safety and protection

Rated Voltage	250 V
Pollution degree	2
Dielectric strength (control/load circuit) (AC, 1 min)	3 kVrms
Dielectric strength (open contact) (AC, 1 min)	1 kVrms
Dielectric strength (channel/channel) (AC, 1 min.)	1.5 kVrms
Protection type	IP20

### Physical data

Width	25.9 mm / 1.02 inches
Height	77.7 mm / 3.059 inches
Height from the surface	59.3 mm / 2.335 inches
Depth	52 mm / 2.047 inches

### Mechanical data

Mounting type	Pluggable module for TOPJOB® S carrier terminal block
---------------	---

### Material data

Note (material data)	<a href="#">Information on material specifications can be found here</a>
Flammability class per UL94	V0
Fire load	0.415 MJ
Weight	59.2 g

### Environmental requirements

Ambient temperature (operation at U <sub>N</sub> )	-40 ... +50 °C
Ambient temperature (storage)	-40 ... +85 °C
Processing temperature	-25 ... +50 °C
Operating altitude (max.)	2000 m

### Standards and Specifications

Standards/specifications	EN 61010-2-201 EN 61373 EN 50121-3-2
--------------------------	--

### Commercial data

PU (SPU)	5 pcs
Packaging type	Box
Country of origin	DE
GTIN	4055143652025
Customs tariff number	85364900990

Product Classification	
UNSPSC	39122334
eCl@ss 10.0	27-14-11-49
eCl@ss 9.0	27-14-11-49
ETIM 9.0	EC002018
ETIM 10.0	EC002018
ECCN	NO US CLASSIFICATION

Environmental Product Compliance	
CAS-No.	1303-86-2 1317-36-8 7439-92-1 79-94-7
REACH Candidate List Substance	2,2',6,6'-tetrabromo-4,4'-isopropylidenediphenol Diboron trioxide Lead Lead monoxide
RoHS Compliance Status	Compliant,With Exemption
RoHS Exemption	7(a) 7(c)-I
SCIP notification number (Austria)	8d5be0c5-4b22-4cce-b9dc-ce2ff4403d21
SCIP notification number (Belgium)	873a8fb8-a0e0-4cd8-911c-b280d0a39685
SCIP notification number (Bulgaria)	9205c39b-f1ee-4545-bc38-fc21a41119d2
SCIP notification number (Czech Republic)	65cbe754-8758-4fa7-bec9-be0f03029a94
SCIP notification number (Denmark)	44a05a30-5ed8-454d-a70c-09d18cb9b5ed
SCIP notification number (Finland)	0a500036-72c1-4ce9-80e7-704ad71a62bd
SCIP notification number (France)	cb557c30-1213-40ad-abc3-405bd724af3d
SCIP notification number (Germany)	aae6af3c-b18b-49a3-b81c-5a4f398f1bfa
SCIP notification number (Hungary)	17f10cd0-10b3-4e3d-b52d-81ea765844e8
SCIP notification number (Italy)	95224af5-023a-4e98-94b4-0897f24ee1d9
SCIP notification number (Netherlands)	0015db4d-4644-499f-aef1-8999f6f591ab
SCIP notification number (Poland)	41d9cf89-735e-4986-ac6b-c870e8d13e93
SCIP notification number (Romania)	47aabf27-1b9c-44b7-8fce-ff5f7007e929
SCIP notification number (Sweden)	9112d10b-7440-4da4-9fc3-db932cdf6abd

**Approvals / Certificates**

General approvals			Declarations of conformity and manufacturer's declarations		
Approval	Standard	Certificate Name	Approval	Standard	Certificate Name
EAC GZO Almaty Standart	TP TC 004/2011	EAC CoC 03084	EU-Declaration of Confor- mity WAGO GmbH & Co. KG	-	-
UL Underwriters Laboratories Inc. (ORDINARY LOCATI- ONS)	UL 61010-1	E175199			

Downloads

Environmental Product Compliance

Compliance Search

Environmental Product Compliance 2042-3889



Documentation

Bid Text

2042-3889	20.02.2019	docx 16.88 KB	
2042-3889	19.02.2019	xml 3.89 KB	

Instruction Leaflet

Pluggable Relay Module / Pluggable Solid-State Relay Module	V 1.1.0	pdf 1933.06 KB	
---	---------	-------------------	--

CAD/CAE-Data

CAD data

2D/3D Models 2042-3889	
---------------------------	--

CAE data

ZUKEN Portal 2042-3889	
---------------------------	--

1 Compatible Products

1.1 Optional Accessories

1.1.1 End plate

1.1.1.1 End plate



[Item No.: 2002-1691](#)  
End and intermediate plate; 1 mm thick; gray

[Item No.: 2002-1791](#)  
End and intermediate plate; 1 mm thick; gray

[Item No.: 2002-1891](#)  
End and intermediate plate; 1 mm thick; gray

[Item No.: 2002-1991](#)  
End and intermediate plate; 1 mm thick; gray



[Item No.: 2002-1692](#)  
End and intermediate plate; 1 mm thick; orange

[Item No.: 2002-1792](#)  
End and intermediate plate; 1 mm thick; orange

[Item No.: 2002-1892](#)  
End and intermediate plate; 1 mm thick; orange

[Item No.: 2002-1992](#)  
End and intermediate plate; 1 mm thick; orange

1.1.2 Marking

1.1.2.1 Marker



[Item No.: 793-5501](#)  
WMB marking card; as card; for terminal block width 5 - 17.5 mm; stretchable 5 - 5.2 mm; plain; snap-on type; white

[Item No.: 793-501](#)  
WMB marking card; as card; not stretchable; plain; snap-on type; white

[Item No.: 2009-115](#)  
WMB-Inline; for Smart Printer; 1500 pieces on roll; stretchable 5 - 5.2 mm; plain; snap-on type; white

### 1.1.2.2 Marking strip



**Item No.: 2009-110**

Marking strips; for Smart Printer; on reel; not stretchable; plain; snap-on type; white

### 1.1.3 Terminal blocks

#### 1.1.3.1 Carrier terminal block for modules and plugs



**Item No.: 2002-1661**

2-conductor carrier terminal block; for DIN-rail 35 x 15 and 35 x 7.5; 2.5 mm<sup>2</sup>; Push-in CAGE CLAMP®; 2,50 mm<sup>2</sup>; gray



**Item No.: 2002-1961**

2-conductor carrier terminal block; with additional jumper position; for DIN-rail 35 x 15 and 35 x 7.5; 2.5 mm<sup>2</sup>; Push-in CAGE CLAMP®; 2,50 mm<sup>2</sup>; gray



**Item No.: 2002-1761**

3-conductor carrier terminal block; for DIN-rail 35 x 15 and 35 x 7.5; 2.5 mm<sup>2</sup>; Push-in CAGE CLAMP®; 2,50 mm<sup>2</sup>; gray



**Item No.: 2002-1861**

4-conductor carrier terminal block; for DIN-rail 35 x 15 and 35 x 7.5; 2.5 mm<sup>2</sup>; Push-in CAGE CLAMP®; 2,50 mm<sup>2</sup>; gray