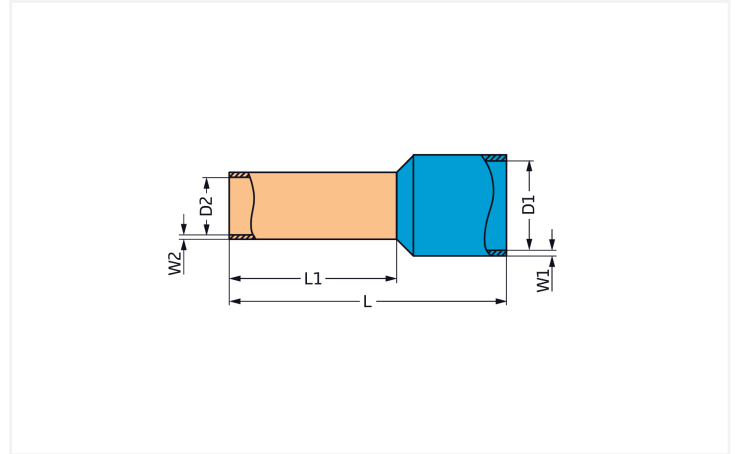


## Data Sheet | Item Number: 216-302

Ferrule; Sleeve for 0.34 mm<sup>2</sup> / 22 AWG; insulated; electro-tin plated; light turquoise

<https://www.wago.com/216-302>



Color: ■ light turquoise

Similar to illustration

Dimensions in mm

### Connection Data

Metric cross-section of the ferrule	0.34 mm <sup>2</sup>
Strip length	9 ... 10 mm / 0.35 ... 0.39 inches
Cross-section (AWG) of ferrule	22 AWG

### Physical data

Total length	12 mm
Wall thickness of crimp sleeve	0.15 mm
Wall thickness (plastic collar)	0.25 mm
Crimp length (length of sleeve)	8 mm
Inner diameter of plastic collar	2 mm
Diameter crimp sleeve inside	0.85 mm

### Mechanical data

Plastic collar	Standard collar
----------------	-----------------

### Material data

Color	light turquoise
Fire load	0.001 MJ
Weight	0.1 g

**Commercial data**

Product Group	2 (Terminal Block Accessories)
PU (SPU)	1000 pcs
Packaging type	Box
Country of origin	DE
GTIN	4017332277419
Customs tariff number	85369010000

**Product Classification**

UNSPSC	39121405
eCl@ss 10.0	27-40-02-01
eCl@ss 9.0	27-40-02-01
ETIM 9.0	EC000005
ETIM 10.0	EC000005
ECCN	NO US CLASSIFICATION

**Environmental Product Compliance**

RoHS Compliance Status	Compliant, No Exemption
------------------------	-------------------------

**Downloads**

**Environmental Product Compliance**

**Compliance Search**

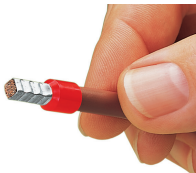
Environmental Product Compliance 216-302	<a href="#">↓</a>
--	-------------------

**Documentation**

**Bid Text**

216-302	11.09.2017	doc 23.50 KB	<a href="#">↓</a>
216-302	19.02.2019	xml 2.80 KB	<a href="#">↓</a>

**Installation Notes**



A perfect gas-tight crimp – both electrically and mechanically reliable

Subject to changes. Please also observe the further product documentation!

Current addresses can be found at: [www.wago.com](http://www.wago.com)