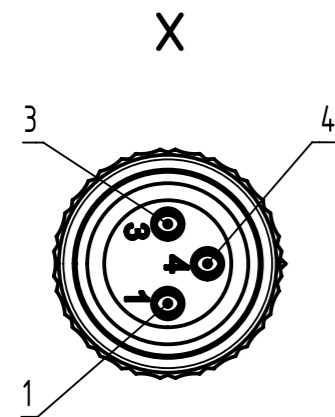
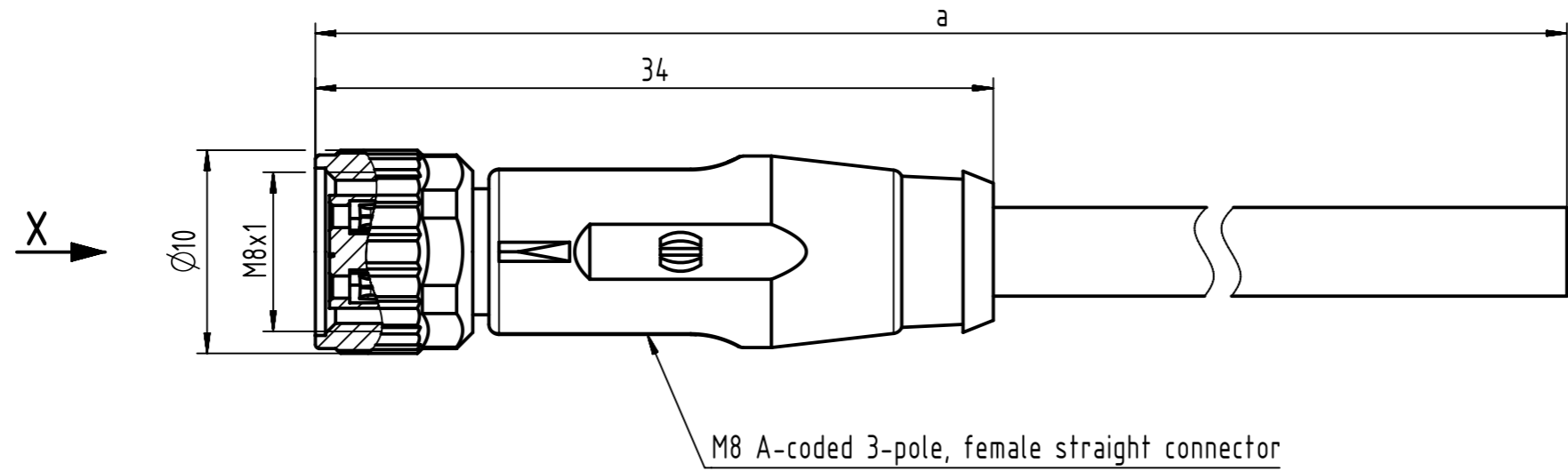


Connector Location A

Connector Location B



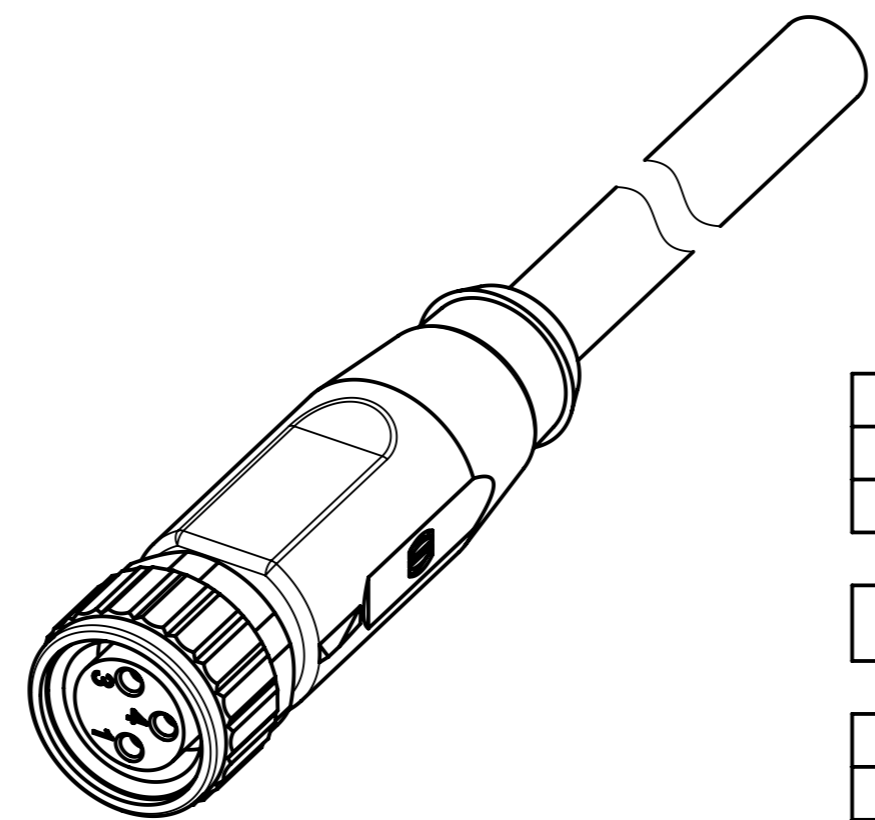
Loading-Plan:

1 — brown

3 — blue

4 — black

- Protection level: IP67
 - Temperature range: -25°C ... +80°C



length in "1m" step	40	XXX=400
	39	XXX=390
	.	.
	12	XXX=120
length in "0.1m" step	11	XXX=110
	10	XXX=100
	9.9	XXX=099
	9.8	XXX=098
	.	.
	0.4	XXX=004
	0.3	XXX=003
	0.2	XXX=002
0.1	XXX=001	
Step	a [m]	XXX

4.0 to 40	+1%
0.1 to 3.9	+0.04
a [m]	Tolerance

Part no.	213481003XXXXX
Type of cable	XX
PVC grey, 3x0.25mm ²	XX=80
PUR black, 3x0.25mm ²	XX=88

		All rights reserved Department HCS - RO		Created by MUNTEANV		Inspected by COSTEA		Standardisation AVRAM		Date 2017-07-28		State Final Release	
HARTING Customised Solutions D-32427 Minden				Title M8 A-coded Cable Assembly				Doc-Key / ECM-Nr. 100577583/UGD/009/B 500000122973					
Type TB		Number 213481003XXXXX		Rev. B		Page 1/1							