



**Part Number :** [03067044](#)

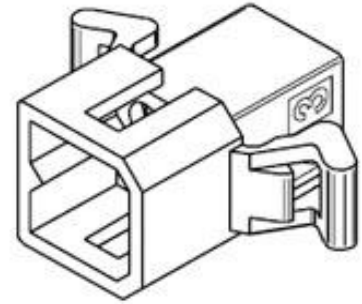
**Product Description :** 1.57mm Diameter Standard .062" Pin and Socket Plug Housing, Dual Row, without Mounting Ears, PA Polyamide Nylon 6/6, UL 94V-2, 4 Circuits, Black

**Series Number :** 2004

**Status :** Active

**Product Category :** Connector Housings

**Engineering Part Number :** 2004-P01-BK



---

## Documents and Resources

### Drawings

[003067044\\_sd.pdf](#)

### 3D Models and Design Files

[STEP AP242](#)

[SOLIDWORKS](#)

[Creo](#)


### Specifications

[20040000-PK-000.pdf](#)

---

## Product Environment Compliance

### Compliance

GADSL/IMDS	Not Relevant
China RoHS	 per SJ/T 11365-2006
EU ELV	Not Relevant
Low-Halogen Status	Low-Halogen per IEC 61249-2-21
REACH SVHC	Not Contained per D(2025)7771-DC (04 Feb 2026)
EU RoHS	Compliant per EU 2015/863

### Compliance Statements

- EU RoHS
- REACH SVHC

- Low-Halogen

#### Industry Documents

- IPC 1752A Class C
- IPC 1752A Class D
- Molex Product Compliance Declaration
- IEC-62474
- chemSHERPA (xml)

#### Substances of Interest

- PFAS

#### EU RoHS Certificate of Compliance

#### Additional Product Compliance Information

## Part Details

### General

Status	Active
Category	Connector Housings
Series	2004
Description	1.57mm Diameter Standard .062" Pin and Socket Plug Housing, Dual Row, without Mounting Ears, PA Polyamide Nylon 6/6, UL 94V-2, 4 Circuits, Black
Application	Power, Wire-to-Wire
Product Name	Standard .062"
UPC	800754942317

### Agency

CSA	LR19980
UL	E29179

### Physical

Circuits Detail	2x2
Circuits (maximum)	4
Color - Resin	Black
Flammability	94V-2
Gender	Plug
Glow-Wire Capable	No

Lock to Mating Part	Yes
Material - Resin	Nylon
Net Weight	1.020/g
Number of Rows	2
Packaging Type	Bag
Panel Mount	No
Pitch - Mating Interface	3.68mm
Pitch - Termination Interface	3.68mm
Polarized to Mating Part	Yes
Stackable	No
Temperature Range - Operating	-40° to +105°C

### Solder Process Data

Lead-Free Process Capability	N/A
------------------------------	-----

---

## Mates With / Use With

### Mates with Part(s)

Description	Part Number
1.57mm Diameter Standard .062" Pin and Socket Receptacle Housing, Dual Row, without Mounting Ears, PA Polyamide Nylon 6/6, UL 94V-2, 4 Circuits, Natural	<u>03061044</u>

### Use with Part(s)

Description	Part Number
Standard .062" Pin and Socket Male Crimp Terminals	<u>1560</u>
Standard .062" Pin and Socket Female Crimp Terminals	<u>1561</u>
Standard .062" Pin and Socket Male PC Tail Terminals	<u>1778</u>
Standard .062" Pin and Socket Male Crimp Terminals	<u>1854</u>
Standard .062" Pin and Socket	<u>1855</u>

---

This document was generated on May 12, 2026