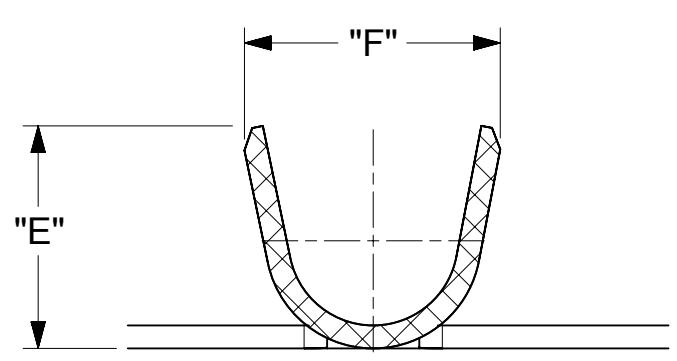
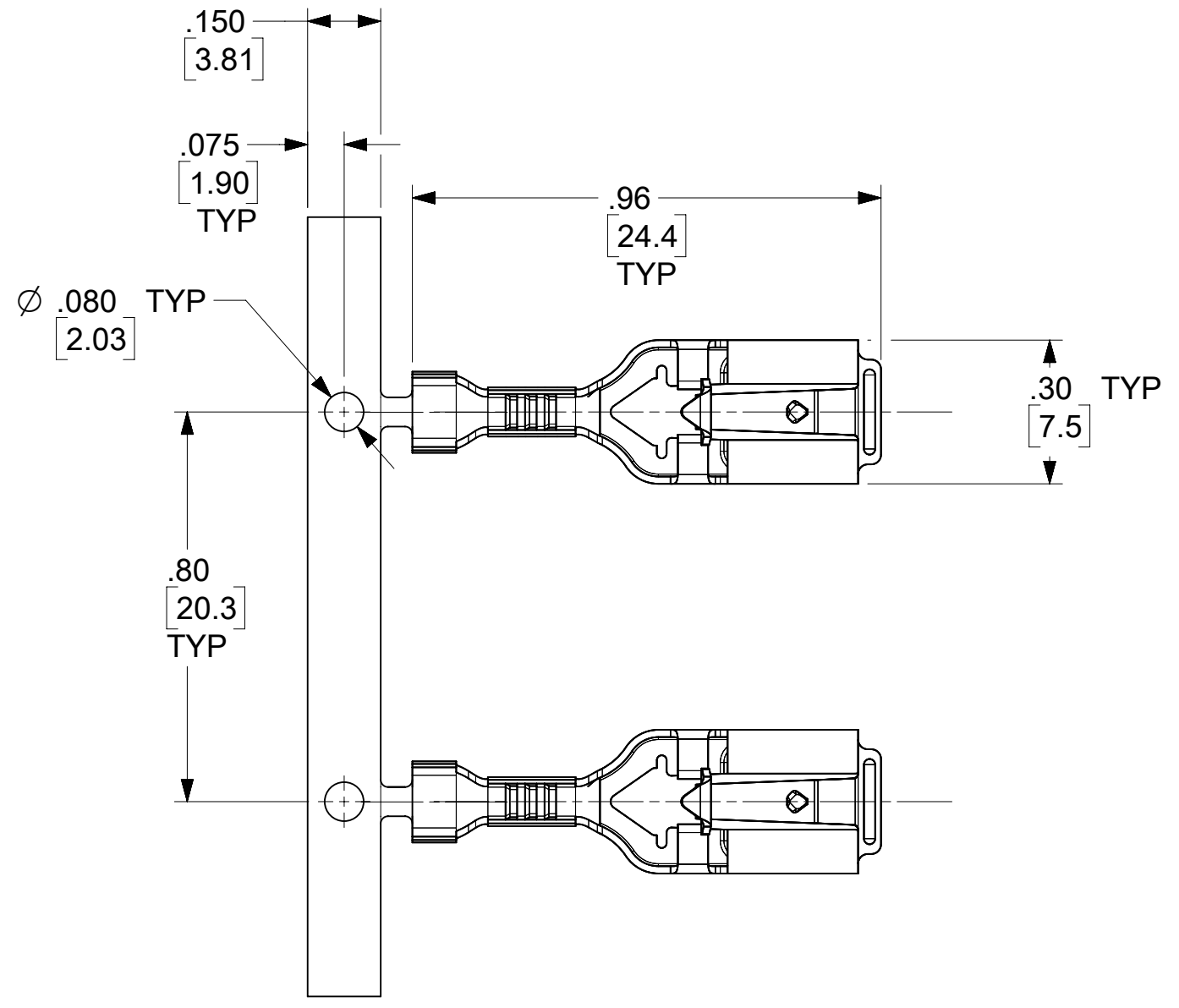
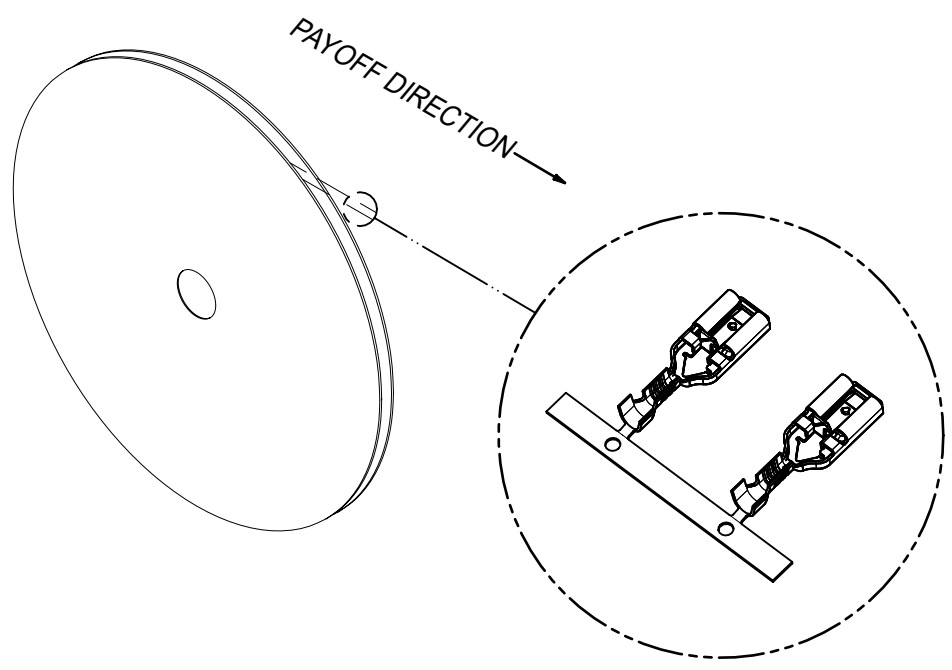
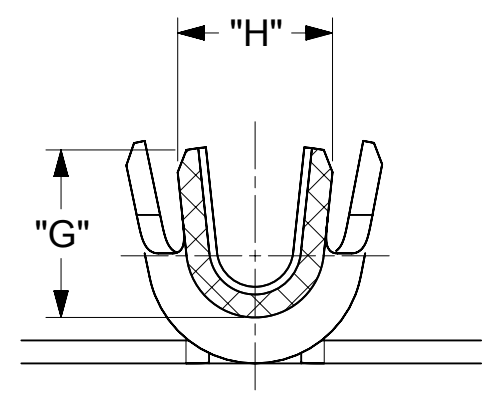


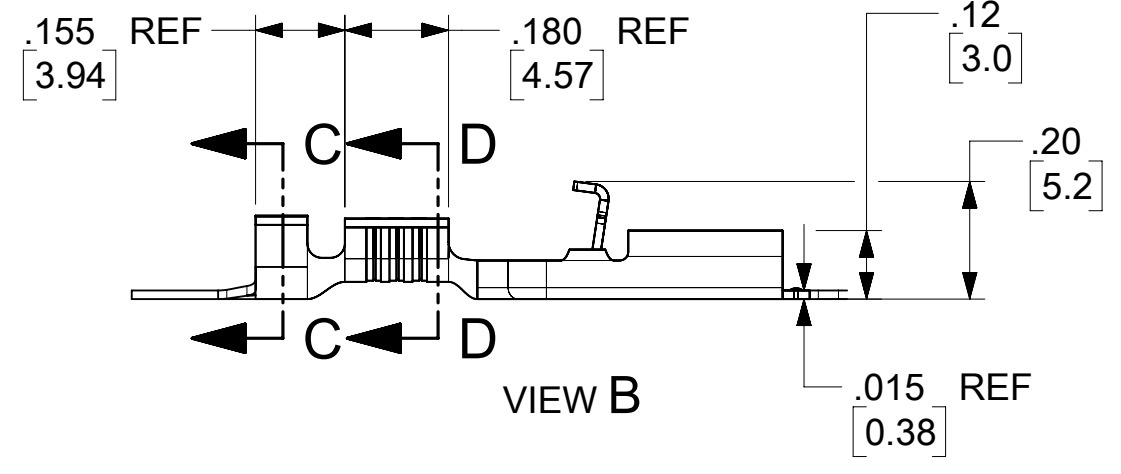
MAT'L NO. (STRIP)	ENG NO. (STRIP)	QTY PER REEL \triangle	ORDER QTY	MAT'L NO. (LOOSE)	ENG NO. (LOOSE)	QTY	WIRE SIZE (AWG)	REF DIM "E"	REF DIM "F"	REF DIM "G"	REF DIM "H"
194390001	AAZ-4150	2,000	6,000	194390002	AA-4150	2,000	20-18 (A3)	.145 (3.68)	.167 (4.24)	.110 (2.79)	.101 (2.57)
194390003	BBZ-4151	2,000	6,000	194390004	BB-4151	2,000	16-14	.185 (4.70)	.191 (4.85)	.146 (3.71)	.137 (3.48)
194390005	CZ-4152	1,500	4,500	194390006	C-4152	2,000	12-10	.260 (6.60)	.223 (5.66)	.224 (5.69)	.203 (5.16)



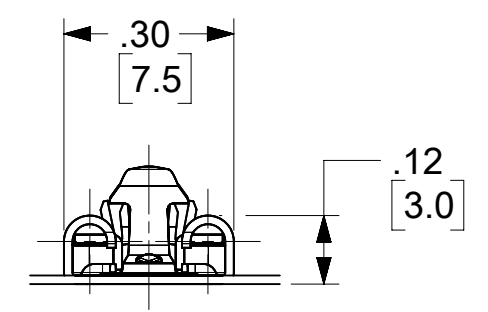
SECTION C-C
SCALE 8:1



SECTION D-D
SCALE 8:1



VIEW B



- NOTE(S):
- MATERIAL: COPPER ALLOY
STRIP THICKNESS (REF): .015 (0.38)
 - FINISH: MATTE TIN PLATED
 - TERMINALS FOR USE WITH HOUSING P/N's:
194390007 (NYLON RATED UL94V-2)
194390008 (NYLON RATED UL94V-0)
 - \triangle STRIP TERMINALS ARE REELED AS SHOWN ABOVE ON 24" REELS.
 - FOR APPLICATION TOOLING AND CRIMP SPEC'S SEE MOLEX.COM

FUNCTIONAL SYMBOLS	THIS DRAWING CONTAINS INFORMATION THAT IS PROPRIETARY TO MOLEX ELECTRONIC TECHNOLOGIES, LLC AND SHOULD NOT BE USED WITHOUT WRITTEN PERMISSION									
	DIMENSION UNITS	SCALE	CURRENT REV DESC: 194390001 WIRE SIZE WAS 22-18 AWG							
$\frac{F}{A} = 0$	INCH/MM	3:1	GENERAL TOLERANCES (UNLESS SPECIFIED)							
$\frac{F}{C} = 0$										
DIVISIONAL SYMBOLS		MM	INCH	EC NO: 751389						
	4 PLACES	±	±	DRWN: DEANM1 2023/05/30						
	3 PLACES	±	± 0.01	CHK'D: JMACNEIL 2023/05/30						
	2 PLACES	± 0.25	± 0.02	APPR: JMACNEIL 2023/05/30						
	1 PLACE	± 0.5	±	INITIAL REVISION:						
0 PLACES	±	±	DRWN: DMYRICK 2020/10/20							
ANGULAR TOL	± °			APPR: JMACNEIL 2023/03/10						
DRAFT WHERE APPLICABLE MUST REMAIN WITHIN DIMENSIONS			THIRD ANGLE PROJECTION	DRAWING	SERIES	MATERIAL NUMBER	CUSTOMER	SHEET NUMBER		
				C-SIZE	19439	SEE CHART		1 OF 1		

molex

TERMINAL, LOCKING QD

PRODUCT CUSTOMER DRAWING

DOCUMENT NUMBER	DOC TYPE	DOC PART	REVISION
194390002	PSD	000	A3