

69710-1 ✓ ACTIVE

AMP

TE Internal #: 69710-1

Premium Crimp Tooling, Not Releasable, Not Adjustable,  
Removable/Interchangeable, TE Product Specification (114-), Hand  
Crimping Tools

[View on TE.com >](#)



Application Tooling > Hand Crimping Tools



Tool Grade: **Premium Crimp Tooling**

Ratchet Configuration: **Not Releasable, Not Adjustable**

Die Sets Type: **Removable/Interchangeable**

Specification Type: **TE Product Specification (114-)**

TE Certification: **Cannot be Certified**

## Features

### Other

Crimp Form-Wire Barrel Type	Closed Barrel - Other
Tool Grade	Premium Crimp Tooling
Ratchet Configuration	Not Releasable, Not Adjustable
Die Sets Type	Removable/Interchangeable
Specification Type	TE Product Specification (114-)
TE Certification	Cannot be Certified
Power Technology Type	Battery, Electric, Manual
Tooling Type	Straight Action Hand Tool

## Product Compliance

[For compliance documentation, visit the product page on TE.com>](#)

EU RoHS Directive 2011/65/EU	Out of Scope
EU ELV Directive 2000/53/EC	Out of Scope
China RoHS 2 Directive MIIT Order No 32, 2016	未针对中国 RoHS 符合性进行审核 Not reviewed for China RoHS compliance
EU REACH Regulation (EC) No. 1907/2006	Current ECHA Candidate List: JUNE 2025 (250) Candidate List Declared Against: JAN 2021 (211) Does not contain REACH SVHC

Halogen Content

Low Halogen - Br, Cl, F < 900 ppm per homogenous material. Also BFR/CFR/PVC Free

Solder Process Capability

Not applicable for solder process capability

Product Compliance Disclaimer

This information is provided based on reasonable inquiry of our suppliers and represents our current actual knowledge based on the information they provided. This information is subject to change. The part numbers that TE has identified as EU RoHS compliant have a maximum concentration of 0.1% by weight in homogenous materials for lead, hexavalent chromium, mercury, PBB, PBDE, DBP, BBP, DEHP, DIBP, and 0.01% for cadmium, or qualify for an exemption to these limits as defined in the Annexes of Directive 2011/65/EU (RoHS2). Finished electrical and electronic equipment products will be CE marked as required by Directive 2011/65/EU. Components may not be CE marked. Additionally, the part numbers that TE has identified as EU ELV compliant have a maximum concentration of 0.1% by weight in homogenous materials for lead, hexavalent chromium, and mercury, and 0.01% for cadmium, or qualify for an exemption to these limits as defined in the Annexes of Directive 2000/53/EC (ELV). Regarding the REACH Regulation, the information TE provides on SVHC in articles for this part number is based on the latest European Chemicals Agency (ECHA) 'Guidance on requirements for substances in articles' posted at this URL: <https://echa.europa.eu/guidance-documents/guidance-on-reach>

## Compatible Parts



TE Part # 224027-1  
DIES FASTON REC 10AWG DIE SET



TE Part # 47814  
DIES SOLIS 12-10 DIE SET



TE Part # 69731  
PIDG STRATO 26-24 DIE SET



TE Part # 69733  
PIDG STRATO 18-16 DIE SET



TE Part # 69734  
PIDG STRATO 14 DIE SET



TE Part # 213847-4  
PWRBND SOC ASY, 14-12, L.P.



TE Part # 66259-2  
MALE CONTACT ASSY. (L.P.)



TE Part # 66262-4  
MALE CONTACT ASSY. (L.P.)



TE Part # 66261-5  
MALE CONTACT ASSY. (L.P.)



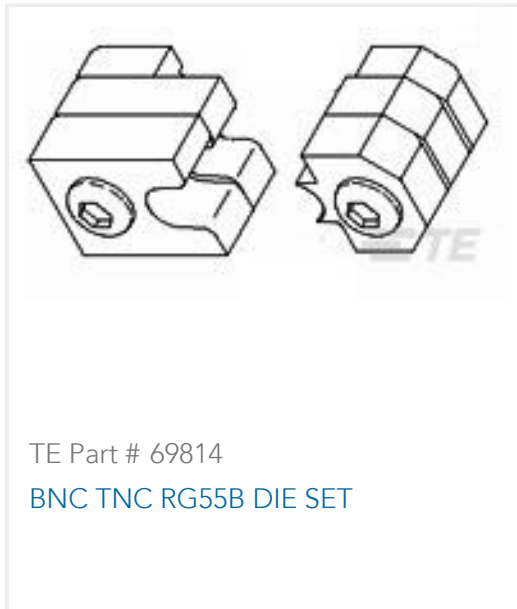
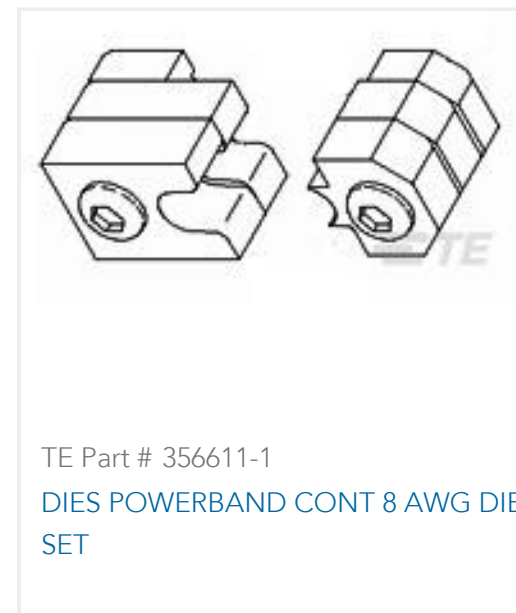
TE Part # 213845-4  
PWRBAND PIN ASY 14-12 L.P.



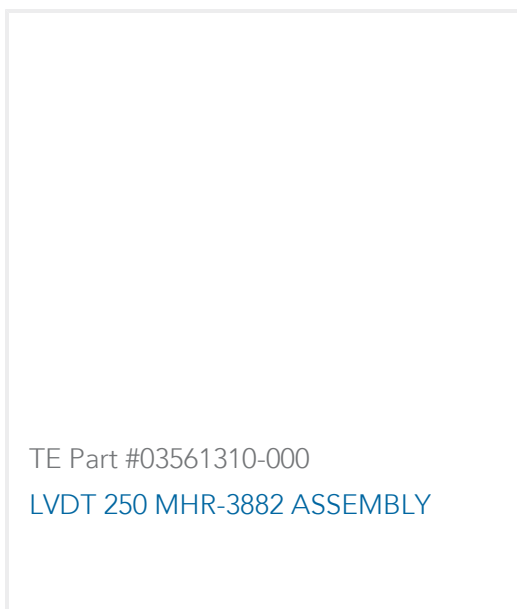
TE Part # 356612-1  
DIES POWERBAND CONT 14-12 AWG DIE SET



TE Part # 66740-6  
TYPE XII FEMALE CONT (L.P.)



### Customers Also Bought



### Documents



### Product Drawings

#### C-HEAD FRAME W/O DIES

English

---

### Datasheets & Catalog Pages

#### 1654742\_HOUSEHOLD\_APPLIANCES\_RAST5

English

#### AMP Circular Connectors for Commercial Signal & Power Applications Continued

English

### Bottoming Dies

English

---

### Instruction Sheets

#### Instruction Sheet (U.S.)

English

#### Instruction Sheet (U.S.)

English

#### Instruction Sheet (U.S.)

English

#### Instruction Sheet (U.S.)

English

---

### Agency Approvals

#### CSA Certificate

English