



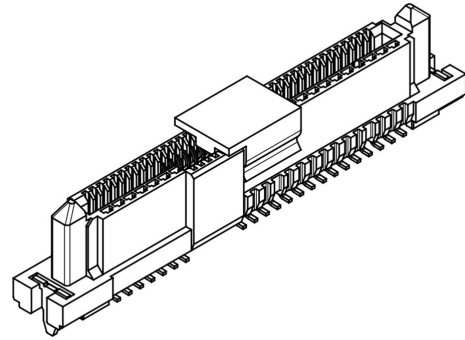
**Part Number :** [2079741001](#)

**Product Description :** 1.27mm Signal Pitch, 0.80mm SCSI Pitch, 1.27mm Power Pitch SAS-4 Receptacle, Vertical, Surface Mount, with Blade, 8.15mm Height, 1.05mm Peg Length, 29 Circuits, with Cap, Embossed Tape on Reel, Lead-Free

**Series Number :** 207974

**Status :** Active

**Product Category :** I/O Connectors



---

## Documents & Resources

### Drawings

[2079741001\\_sd.pdf](#)

[2079741008-PK-PKG.pdf](#)

### 3D Models and Design Files

[2079741001\\_stp.zip](#)

[2079741001-000.pdf](#)

[2079741001-000.zip](#)

### Specifications

[2079741001-000.pdf](#)

[2079740001-PS-000.pdf](#)

---

## Product Environment Compliance

### Compliance

GADSL/IMDS	Not Relevant
China RoHS	
EU ELV	Not Relevant
Low-Halogen Status	Low-Halogen per IEC 61249-2-21
REACH SVHC	Not Contained per D(2024)7663-DC (21 Jan 2025)
EU RoHS	Compliant per EU 2015/863

### Multiple Part Product Compliance Statements

- Eu RoHS

- REACH SVHC

- Low-Halogen

### Multiple Part Industry Compliance Documents

- IPC 1752A Class C
- IPC 1752A Class D
- Molex Product Compliance Declaration
- IEC-62474
- chemSHERPA (xml)

### EU RoHS Certificate of Compliance

---

## Part Details

### General

Status	Active
Category	I/O Connectors
Series	207974
Description	1.27mm Signal Pitch, 0.80mm SCSI Pitch, 1.27mm Power Pitch SAS-4 Receptacle, Vertical, Surface Mount, with Blade, 8.15mm Height, 1.05mm Peg Length, 29 Circuits, with Cap, Embossed Tape on Reel, Lead-Free
Application	Board-to-Board
Comments	With Cap
Component Type	Receptacle
Product Name	SAS 22.5G,SAS-4
Type	N/A
UPC	191130140572

### Agency

CSA	152514
UL	E29179

### Electrical

Current - Maximum per Contact	1.5A
Voltage - Maximum	29V AC (RMS)/DC

### Physical

Circuits Detail	Signal 14, Power 15
-----------------	---------------------

Circuits (Loaded)	29
Color - Resin	Black
Durability (mating cycles max)	500
Flammability	94V-0
Gender	Female
Keying to Mating Part	Yes
Lock to Mating Part	None
Material - Metal	Copper Alloy
Material - Plating Mating	Gold
Material - Plating Termination	Tin
Material - Resin	Liquid Crystal Polymer
Net Weight	1.553/g
Number of Rows	2
Orientation	Vertical
Packaging Type	Embossed Tape on Reel
Panel Mount	No
PCB Locator	Yes
PCB Retention	Yes
PCB Thickness - Recommended	1.00mm min
Pitch - Mating Interface	0.80mm, 1.27mm
Pitch - Termination Interface	0.80mm, 1.27mm
Plating min - Mating	0.762µm
Plating min - Termination	2.540µm
Polarized to Mating Part	Yes
Polarized to PCB	Yes
Temperature Range - Operating	-55° to +85°C
Termination Interface Style	Surface Mount

### Solder Process Data

Max-Duration	10
Lead-Free Process Capability	REFLOW
Max-Cycle	1
Max-Temp	260

## Mates With / Use With

### Mates with Part(s)

Description	Part Number
Mates With	SAS/SATA Plug

---

This document was generated on Apr 20, 2025