

63609-2 ✓ ACTIVE

FASTON | FASTON 250

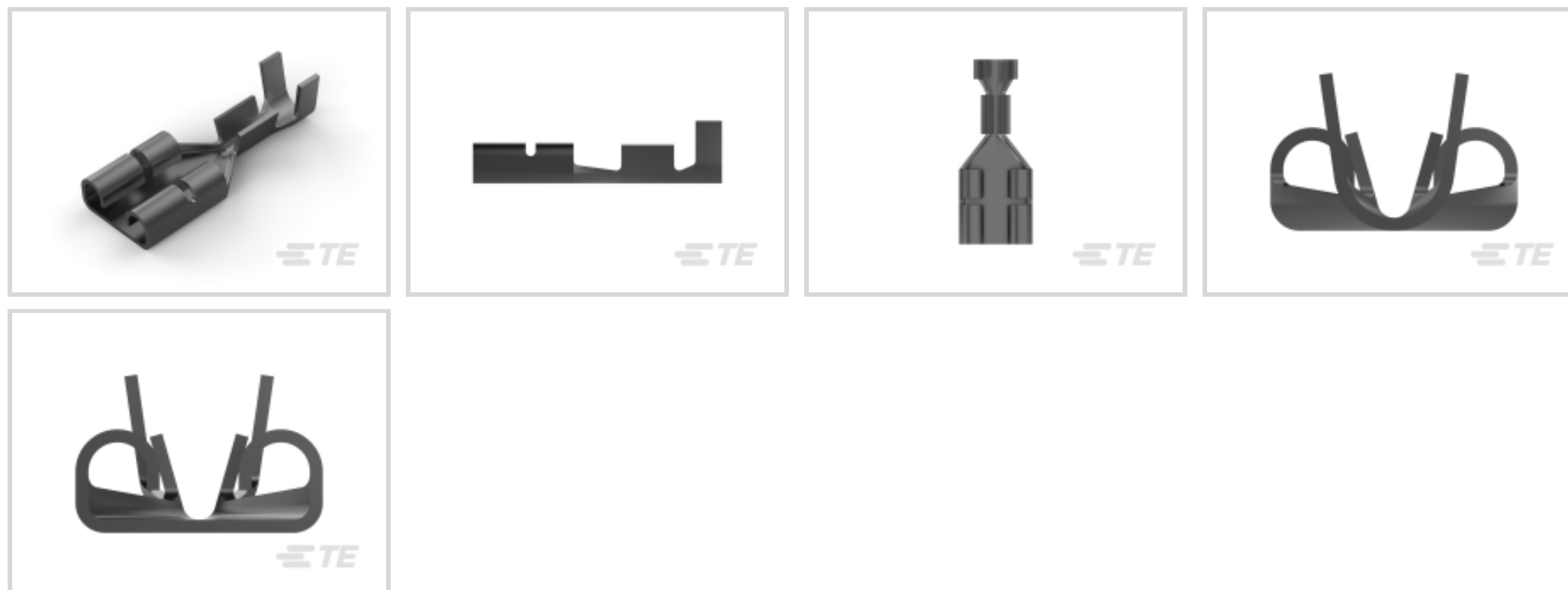
TE Internal #: 63609-2

Quick Disconnect Receptacle, Uninsulated, 20 – 16 AWG, .32 – .82 mm<sup>2</sup> Wire, 6.35 mm [.25 in] Tab Width, F-Crimp, Straight, Brass, FASTON 250

[View on TE.com >](#)



Terminals & Splices > Quick Disconnects



Quick Disconnect Terminal Type: **Receptacle**

Wire Size: .32 – .82 mm<sup>2</sup>

Mating Tab Width: 6.35 mm [.25 in]

Mating Tab Thickness: .81 mm [.032 in]

## Features

### Product Type Features

Insertion Force	Low
-----------------	-----

### Configuration Features

Compatible With Wire & Cable Type	Discrete Wire
-----------------------------------	---------------

Connection Capacity	Single
---------------------	--------

### Contact Features

Quick Disconnect Terminal Type	Receptacle
--------------------------------	------------

Mating Tab Width	6.35 mm [.25 in]
------------------	------------------

Mating Tab Thickness	.81 mm [.032 in]
----------------------	------------------

Terminal Orientation	Straight
----------------------	----------

Contact Base Material	Brass
-----------------------	-------

Terminal Plating Material	Tin
---------------------------	-----

Crimp Type	F-Crimp
------------	---------

Barrel Type	Open
-------------	------

### Termination Features



Product Terminates To	Wire & Cable
-----------------------	--------------

### Mechanical Attachment

Wire Insulation Support	With
Mating Retention Type	Dimple

### Dimensions

Product Length	19.18 mm[.755 in]
Compatible Insulation Diameter Range	2.29 – 3.3 mm[.09 – .13 in]
Terminal Material Thickness	.41 mm[.016 in]
Wire Size	.32 – .82 mm <sup>2</sup>

### Usage Conditions

Insulation Option	Uninsulated
Operating Temperature Range	-40 – 110 °C[-40 – 230 °F]

### Industry Standards

Compatible With Agency/Standards Products	CSA, UL
---	---------

### Packaging Features

Packaging Quantity	10000
Packaging Method	Strip/Reel

### Other

Line	Premier
------	---------

## Product Compliance

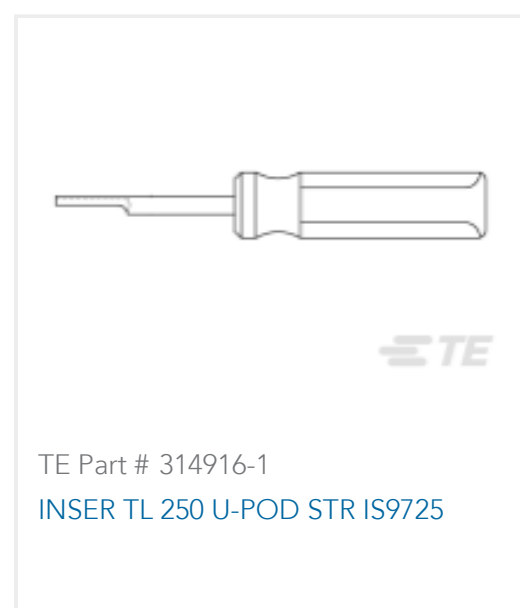
[For compliance documentation, visit the product page on TE.com>](#)

EU RoHS Directive 2011/65/EU	Compliant
EU ELV Directive 2000/53/EC	Compliant
China RoHS 2 Directive MIIT Order No 32, 2016	有害物质含量符合标准要求 No Restricted Substance(s) Above Threshold
EU REACH Regulation (EC) No. 1907/2006	Current ECHA Candidate List: JUNE 2025 (250) Candidate List Declared Against: JUNE 2025 (250) Does not contain REACH SVHC
Halogen Content	Low Halogen - Br, Cl, F < 900 ppm per homogenous material. Also BFR/CFR/PVC Free
Solder Process Capability	Not applicable for solder process capability

## Product Compliance Disclaimer

This information is provided based on reasonable inquiry of our suppliers and represents our current actual knowledge based on the information they provided. This information is subject to change. The part numbers that TE has identified as EU RoHS compliant have a maximum concentration of 0.1% by weight in homogenous materials for lead, hexavalent chromium, mercury, PBB, PBDE, DBP, BBP, DEHP, DIBP, and 0.01% for cadmium, or qualify for an exemption to these limits as defined in the Annexes of Directive 2011/65/EU (RoHS2). Finished electrical and electronic equipment products will be CE marked as required by Directive 2011/65/EU. Components may not be CE marked. Additionally, the part numbers that TE has identified as EU ELV compliant have a maximum concentration of 0.1% by weight in homogenous materials for lead, hexavalent chromium, and mercury, and 0.01% for cadmium, or qualify for an exemption to these limits as defined in the Annexes of Directive 2000/53/EC (ELV). Regarding the REACH Regulation, the information TE provides on SVHC in articles for this part number is based on the latest European Chemicals Agency (ECHA) 'Guidance on requirements for substances in articles' posted at this URL: <https://echa.europa.eu/guidance-documents/guidance-on-reach>

## Compatible Parts






**KIT**

REPRESENTATION ONLY

TE Part # 7-2150349-7  
OCEAN\_2.0\_SPARE\_PART\_KIT-091F130OV



TE Part # 444334-3  
250 FASTON REC 22-18 AWG BR



TE Part # 2423313-1  
HOUSING, RECEPTACLE, FASTON, 250 SERIES




TE Part # 170304-1  
250 FASTON, REC., 22-18 AWG, BR




TE Part # 8-321235-1  
RECEPT, FASTON SPLICE 22-10

Also in the Series | **FASTON 250**



Compression Connectors(4)



Crimp Terminal Housings(117)




Insulation Boots & Sleeves(16)



Magnet Wire Terminals(1)



PCB Terminals(131)



Quick Disconnects(411)



Splices(4)

Customers Also Bought



TE Part #32054  
PIDG SPD 22-16COMM 22-18MIL 10



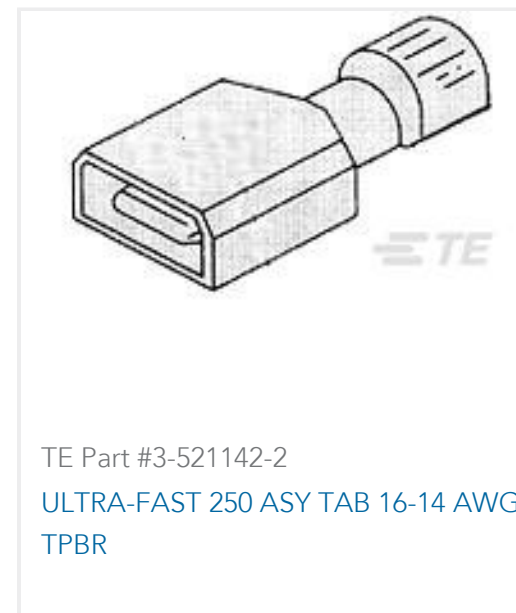
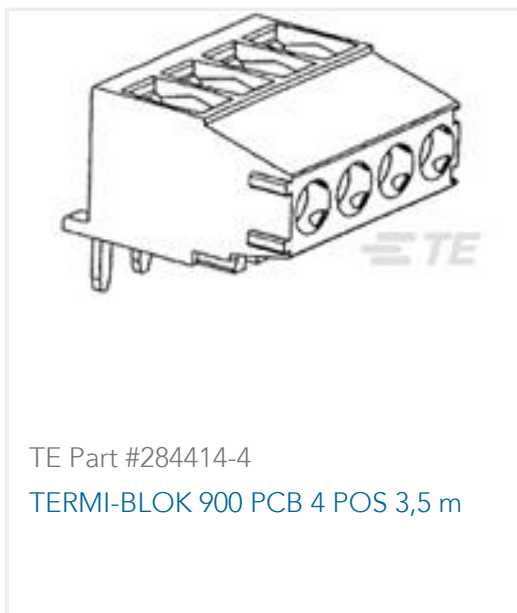
TE Part #2-34149-1  
PG R 22-16 COMM 22-18 MIL 10



TE Part #42692-2  
250 FASTON REC 18-14 AWG TPBR



TE Part #160789-2  
RING TONGUE IS 1.0-2.5 MM2 TPBR



## Documents

### Product Drawings

[250 FASTON REC 22-18 AWG TPBR](#)

English

### CAD Files

[3D PDF](#)

3D

Customer View Model

[ENG\\_CVM\\_CVM\\_63609-2\\_S.2d\\_dxf.zip](#)

English

Customer View Model

[ENG\\_CVM\\_CVM\\_63609-2\\_S.3d\\_igs.zip](#)

English

Customer View Model

[ENG\\_CVM\\_CVM\\_63609-2\\_S.3d\\_stp.zip](#)

English

By downloading the CAD file I accept and agree to the [Terms and Conditions](#) of use.

### Datasheets & Catalog Pages

[82004 FASTON Terminals \(Insulated and Uninsulated\) Catalog - FASTON Receptacles Section](#)

English

[FASTON TERMINALS \(INSULATED AND UNINSULATED\) - FULL CATALOG](#)

English

### Product Specifications

[Engineering Report](#)

English



## Engineering Report

English

---

## Agency Approvals

Agency Approval Document

English