

SPECIFICATIONS

ELECTRICAL

USB

INPUT: 5V @ 25mA max

OUTPUT: USB1.1

MECHANICAL

BALL DIAMETER: 2.25"

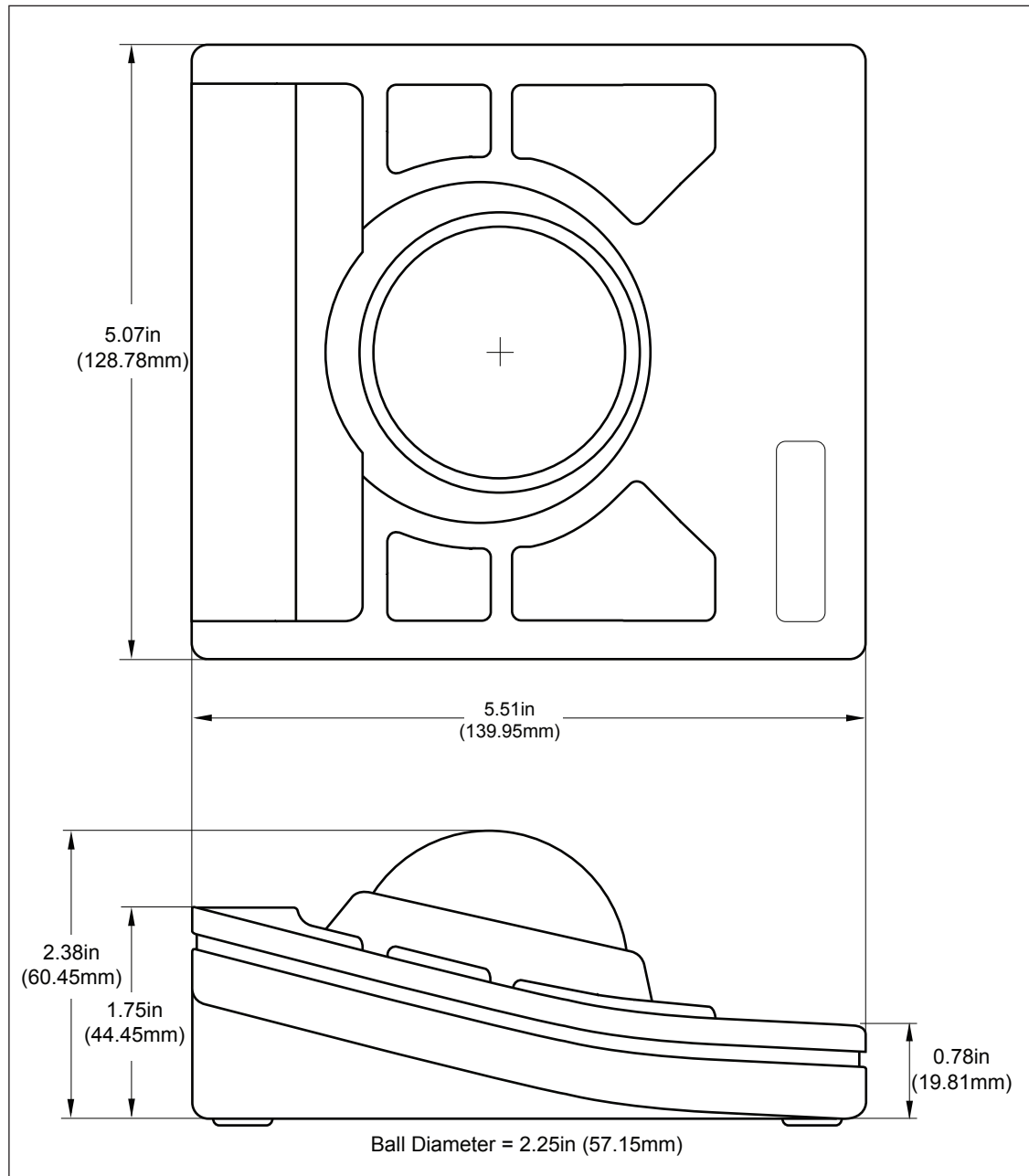
BALL ROTATION: Continuous

TRACKING FORCE: 12g

WEIGHT: 460g

LIFE CYCLE (BALL ROTATIONS): 5 Million

RoHS compliant



CH
Products

P/N

DT2257X20V00-BIk

REV

A

DESCRIPTION

DT225 Black Desktop Trackball, USB

PROPRIETARY AND CONFIDENTIAL

THE INFORMATION CONTAINED IN THIS DRAWING IS THE SOLE PROPERTY OF CH PRODUCTS. ANY REPRODUCTION IN PART OR AS WHOLE WITHOUT THE WRITTEN PERMISSION OF CH PRODUCTS IS PROHIBITED.