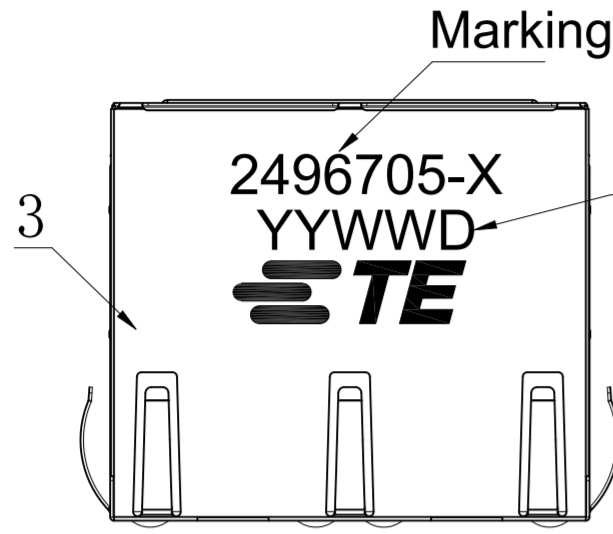
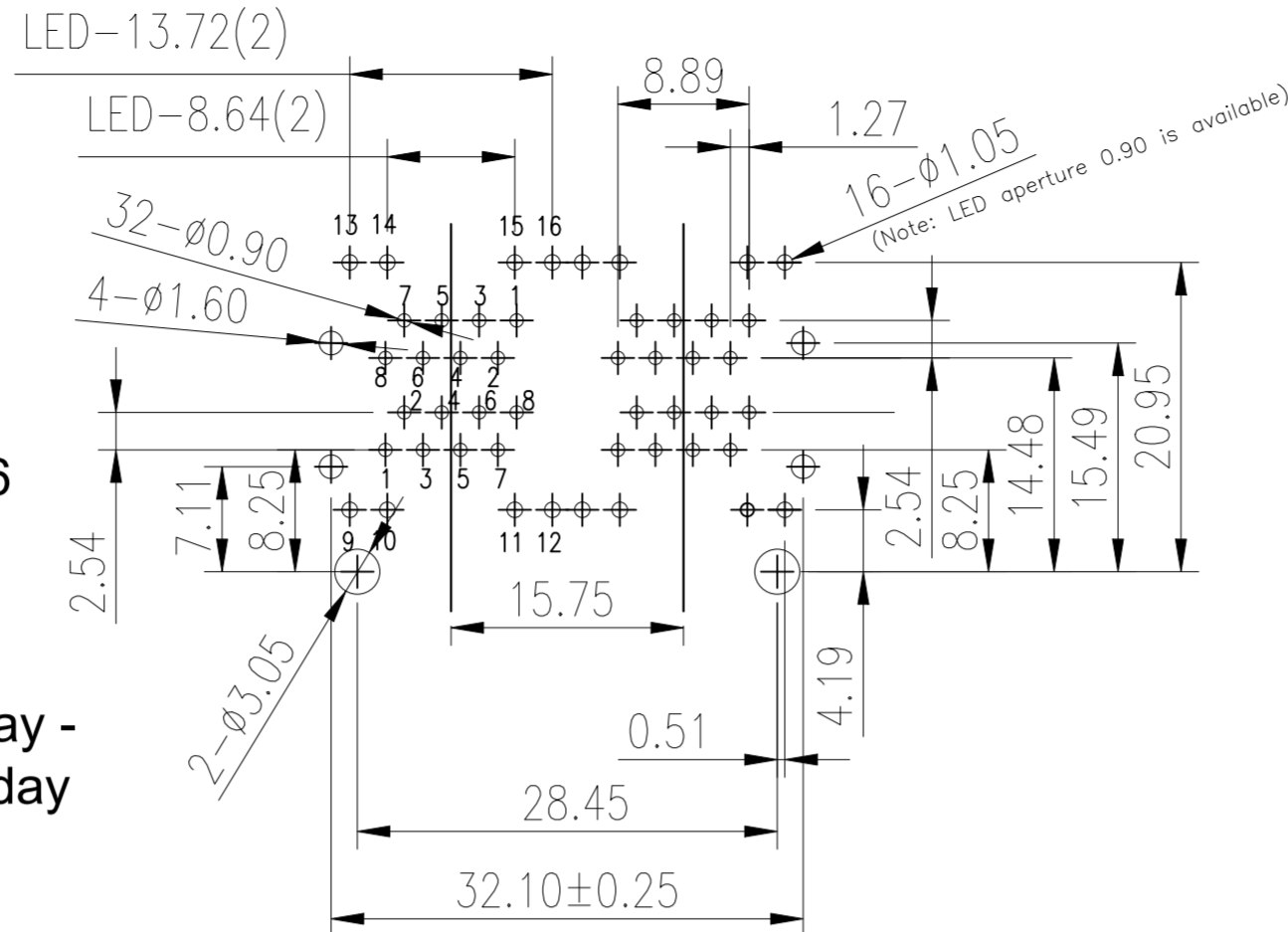


REVISIONS					
P	LTR	DESCRIPTION	DATE	DWN	APVD
A		REVISED PER ECN-25-302515	17JAN2025	TR	RCG

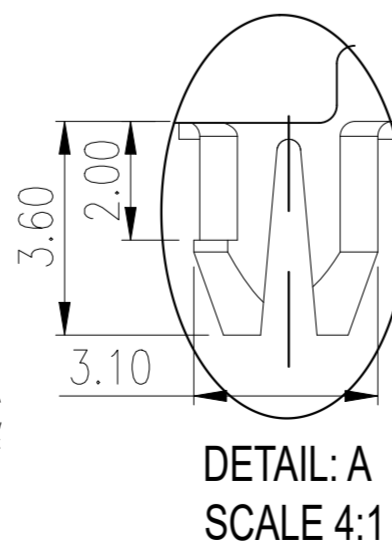
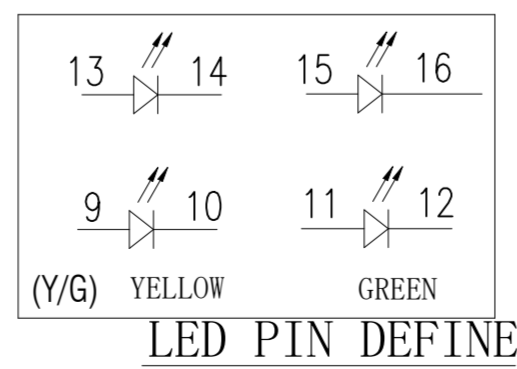
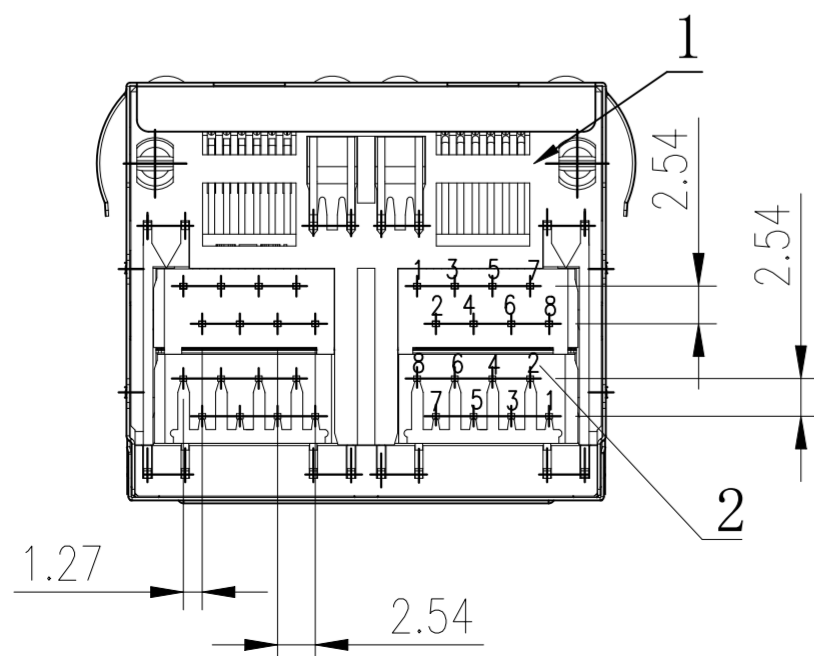
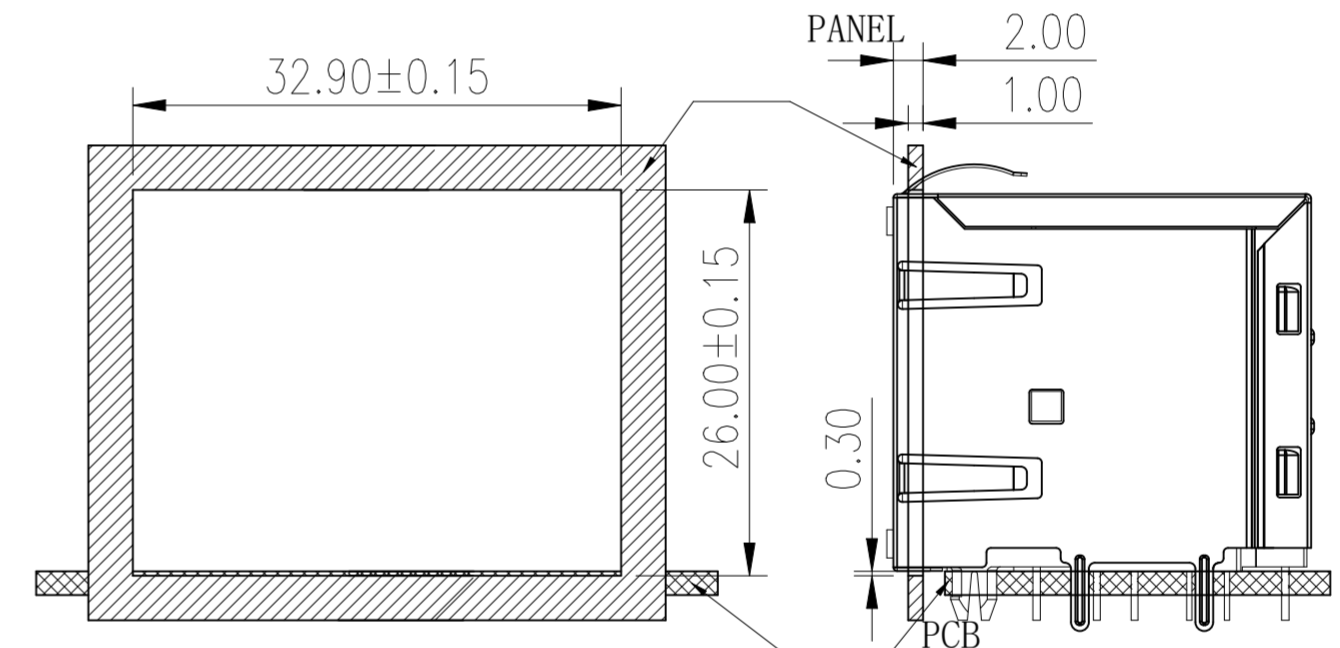
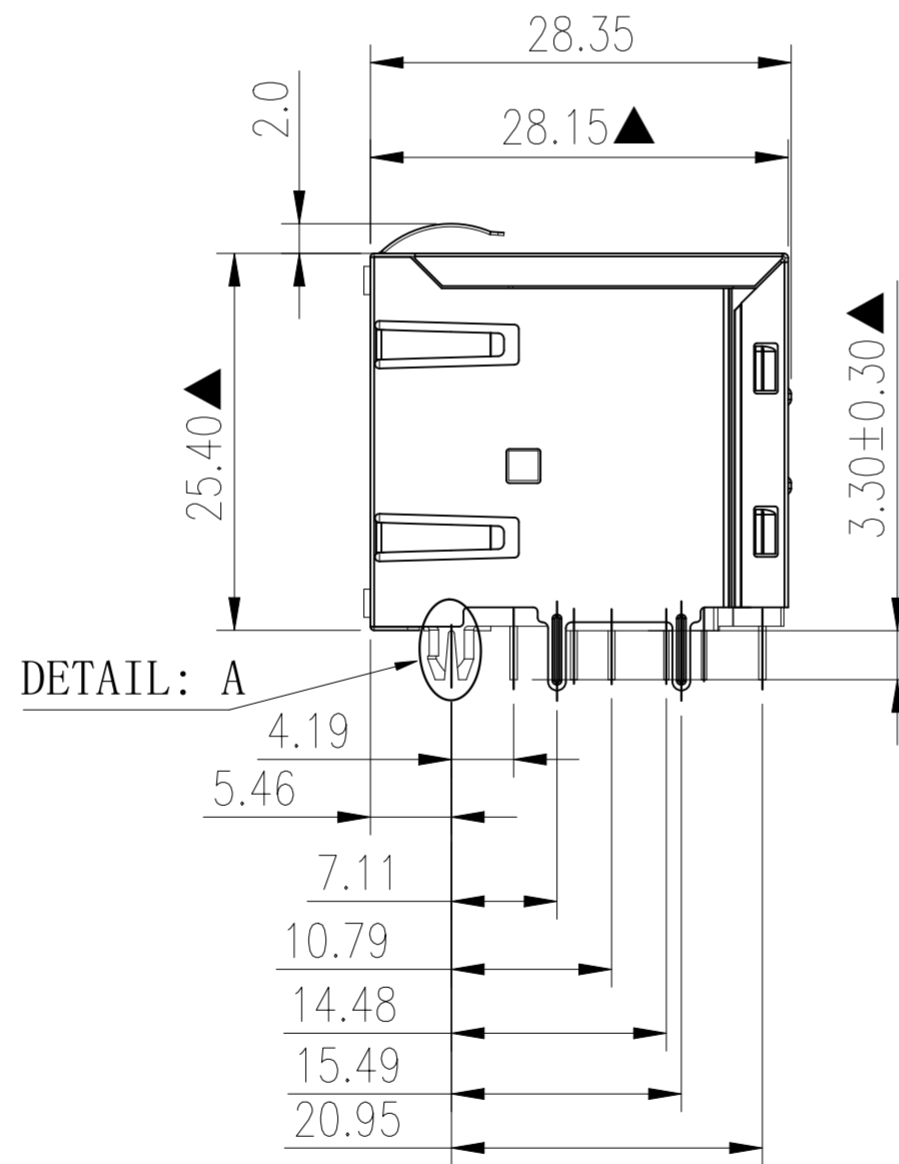
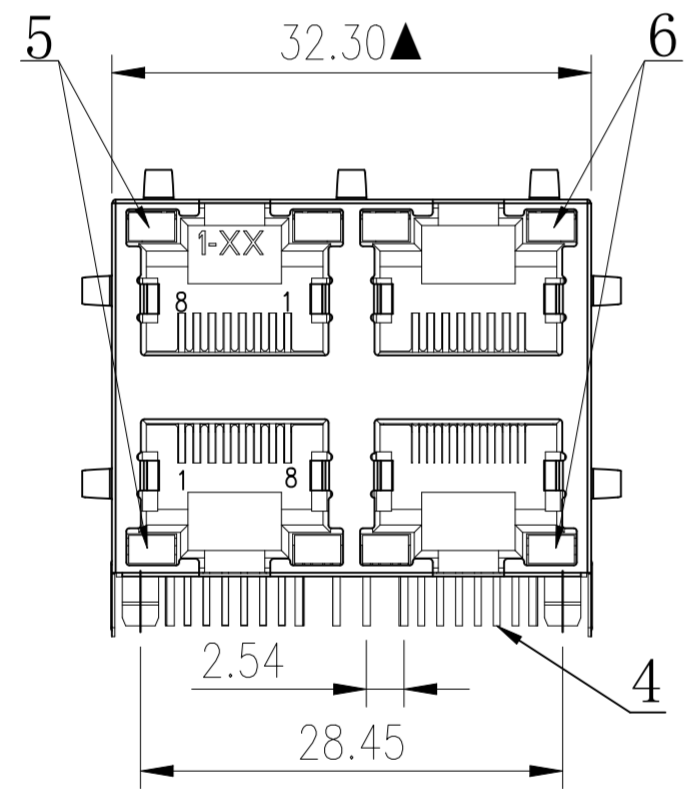


Note:  
 X= 1,2,3,4,5,6  
 YYWWD  
 YY=YEAR  
 WW=WEEK  
 D=1 for Sunday -  
 7 for Saturday



**NOTE:**

- 1.Housing:Glass Filled PA46 BLACK UL94V-0.(RoHS)
  - 2.Insert:Glass Filled PBT BLACK UL94V-0.(RoHS)
  - 3.Shielding:Copper Alloy with Nickel Plated.
  - 4.Contact:T0.35mm Phosphor Bronze(RoHS).
  - 5.Led1:YELLOW
  - 6.Led2:GREEN
- ※Mates With Modular Plug Conforming To Fcc Part 68, Subpart F.  
 ※The Dimensions Marked "▲" Symbols Are Stand For Key Characteristics.



GF	PART NUMBER
0.0762 μm [3μ"]	2496705-6
0.1524 μm [6μ"]	2496705-5
0.381 μm [15μ"]	2496705-4
0.762 μm [30μ"]	2496705-3
1.27 μm [50μ"]	2496705-2
1.27 μm [50μ"]	2496705-1
GOLD PLATING THICKNESS	PART NUMBER

THIS DRAWING IS A CONTROLLED DOCUMENT.		DWN TARUN, R 30OCT2024	TE Connectivity	
DIMENSIONS: mm [INCHES]		CHK RAMESH, KIVADER 30OCT2024	RJ45 W/O MAGNET 2X2 LED	
TOLERANCES UNLESS OTHERWISE SPECIFIED: 0 PLC ± - 1 PLC ± 0.35 2 PLC ± 0.25 3 PLC ± 0.15 4 PLC ± - ANGLES ± 2°		APVD RAGHAVAN, CG 30OCT2024	RESTRICTED TO	
MATERIAL		PRODUCT SPEC 108-161621	SIZE A2	CAGE CODE 00779
FINISH		APPLICATION SPEC 114-161218	DRAWING NO C=2496705	SCALE 1:1
		WEIGHT -	SHEET 1 OF 1	REV A
		CUSTOMER DRAWING		