

TACT Switch™ Snap-in Type

6.0mm Square (Snap-in)
SKHH Series

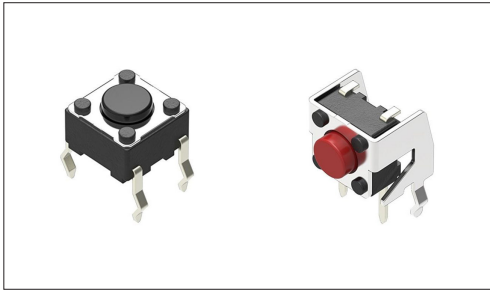
Renowned for ease of use and wide product variety in a 6.0mm square type.

 Automotive

※Please check the product list for compatible products

- Series type: Sharp feeling type
- Rating (max.): 50mA 12V DC
- Rating (min.): 10μA 1V DC

Applications: Energy_Industrial: Industrial equipment
 Healthcare: Healthcare equipment, Analysis, test equipment
 Home: Office equipment
 Audio_TV: Visual, Audio, Pro audio
 Automotive: Navigation/audio systems, HVAC



■ Product List

Products No.	Type	Operating direction	Operating force (N)	Travel (mm)	Operating life (cycles)	Initial contact resistance	Dimensions (W×D×H) (mm)	Water-proof	Dust-proof	Automotive	Drawing No.
SKHHAJA010	Top push type	Top push	0.98	0.25	1,000,000	100mΩ max.	6.0×6.0×4.3	—	—	●	1
SKHHALA010		Top push	1.57	0.25	500,000	100mΩ max.	6.0×6.0×4.3	—	—	●	
SKHHAQA010		Top push	2.55	0.25	200,000	100mΩ max.	6.0×6.0×4.3	—	—	●	
SKHHAKA010		Top push	0.98	0.25	1,000,000	100mΩ max.	6.0×6.0×5.0	—	—	●	2
SKHHAMA010		Top push	1.57	0.25	500,000	100mΩ max.	6.0×6.0×5.0	—	—	●	
SKHHARA010		Top push	2.55	0.25	200,000	100mΩ max.	6.0×6.0×5.0	—	—	●	
SKHHCQA010		Top push	3.53	0.25	200,000	100mΩ max.	6.0×6.0×5.0	—	—	●	
SKHHCRA010		Top push	5.10	0.25	200,000	100mΩ max.	6.0×6.0×5.0	—	—	●	
SKHHBVA010		Top push	0.98	0.25	1,000,000	100mΩ max.	6.0×6.0×7.0	—	—	●	3
SKHHBWA010		Top push	1.57	0.25	500,000	100mΩ max.	6.0×6.0×7.0	—	—	●	
SKHHBYA010		Top push	2.55	0.25	200,000	100mΩ max.	6.0×6.0×7.0	—	—	●	
SKHHANA010		Top push	0.98	0.25	1,000,000	100mΩ max.	6.0×6.0×9.5	—	—	●	4
SKHHAPA010		Top push	1.57	0.25	500,000	100mΩ max.	6.0×6.0×9.5	—	—	●	
SKHHBSA010		Top push	2.55	0.25	200,000	100mΩ max.	6.0×6.0×9.5	—	—	●	
SKHHDTA010		Top push	0.98	0.25	1,000,000	100mΩ max.	6.0×6.0×13.0	—	—	●	5
SKHHDUA010		Top push	1.57	0.25	500,000	100mΩ max.	6.0×6.0×13.0	—	—	●	
SKHHDHA010	Top push	0.98	0.25	500,000	100mΩ max.	6.0×6.0×17.0	—	—	●	6	
SKHHDJA010	Top push	1.57	0.25	300,000	100mΩ max.	6.0×6.0×17.0	—	—	●		
SKHHCWA010	Joint stem type	Top push	0.98	0.25	1,000,000	100mΩ max.	6.0×6.0×7.3	—	—	●	7
SKHHDAA010		Top push	1.57	0.25	500,000	100mΩ max.	6.0×6.0×7.3	—	—	●	
SKHHDGA010		Top push	2.55	0.25	200,000	100mΩ max.	6.0×6.0×7.3	—	—	●	

TACT Switch™ Snap-in Type

6.0mm Square (Snap-in)
SKHH Series

Products No.	Type	Operating direction	Operating force (N)	Travel (mm)	Operating life (cycles)	Initial contact resistance	Dimensions (W×D×H) (mm)	Water-proof	Dust-proof	Automotive	Drawing No.		
SKHHPJA010	With ground terminal type	Top push	0.98	0.25	1,000,000	100mΩ max.	6.0×6.0×4.3	—	—	●	8		
SKHHPLA010		Top push	1.57	0.25	500,000	100mΩ max.	6.0×6.0×4.3	—	—	●			
SKHHPQA010		Top push	2.55	0.25	200,000	100mΩ max.	6.0×6.0×4.3	—	—	●			
SKHHPKA010		With ground terminal type	Top push	0.98	0.25	1,000,000	100mΩ max.	6.0×6.0×5.0	—	—	●	9	
SKHHPMA010			Top push	1.57	0.25	500,000	100mΩ max.	6.0×6.0×5.0	—	—	●		
SKHHPRA010			Top push	2.55	0.25	200,000	100mΩ max.	6.0×6.0×5.0	—	—	●		
SKHHQVA010			With ground terminal type	Top push	0.98	0.25	1,000,000	100mΩ max.	6.0×6.0×7.0	—	—	●	10
SKHHQWA010				Top push	1.57	0.25	500,000	100mΩ max.	6.0×6.0×7.0	—	—	●	
SKHHQYA010				Top push	2.55	0.25	200,000	100mΩ max.	6.0×6.0×7.0	—	—	●	
SKHHPNA010		With ground terminal type	Top push	0.98	0.25	1,000,000	100mΩ max.	6.0×6.0×9.5	—	—	●	11	
SKHHPPA010			Top push	1.57	0.25	500,000	100mΩ max.	6.0×6.0×9.5	—	—	●		
SKHHQNA010			Top push	2.55	0.25	200,000	100mΩ max.	6.0×6.0×9.5	—	—	●		
SKHHUFA010	Side push type	Side push	1.96	0.25	2,000,000	100mΩ max.	7.5×7.85×7.0	—	—	—	12		
SKHHLMA010		Side push	0.98	0.25	1,000,000	100mΩ max.	7.5×7.85×7.1	—	—	—	13		
SKHHLNA010		Side push	1.57	0.25	500,000	100mΩ max.	7.5×7.85×7.1	—	—	—			
SKHHLPA010		Side push	2.55	0.25	200,000	100mΩ max.	7.5×7.85×7.1	—	—	—			
SKHHLQA010		Side push type	Side push	0.98	0.25	1,000,000	100mΩ max.	7.5×12.35×7.1	—	—	—	14	
SKHHLRA010			Side push	1.57	0.25	500,000	100mΩ max.	7.5×12.35×7.1	—	—	—		
SKHHLSA010			Side push	2.55	0.25	200,000	100mΩ max.	7.5×12.35×7.1	—	—	—		
SKHHLUA010			Side push type	Side push	0.98	0.25	1,000,000	100mΩ max.	7.5×9.85×7.1	—	—	—	15
SKHHLVA010				Side push	1.57	0.25	500,000	100mΩ max.	7.5×9.85×7.1	—	—	—	
SKHHLWA010				Side push	2.55	0.25	200,000	100mΩ max.	7.5×9.85×7.1	—	—	—	
SKHHNHA010		Side push type	Side push	0.98	0.25	500,000	100mΩ max.	7.5×19.85×7.1	—	—	—	16	
SKHHNJA010			Side push	1.57	0.25	300,000	100mΩ max.	7.5×19.85×7.1	—	—	—		
SKHHNKA010			Side push	2.55	0.25	200,000	100mΩ max.	7.5×19.85×7.1	—	—	—		
SKHHNKA010			Side push	2.55	0.25	200,000	100mΩ max.	7.5×19.85×7.1	—	—	—		

 Note

1. This catalog shows only outline specifications. When using the products, please obtain formal specifications for supply.
2. Please use 1.6mm thick PC boards.
3. Please place purchase orders per minimum order unit (integer).

TACT Switch™ Snap-in Type

6.0mm Square (Snap-in)
SKHH Series

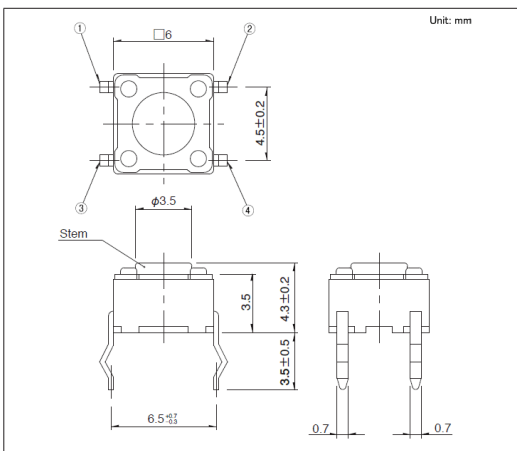
■ Packing Specifications

Bulk

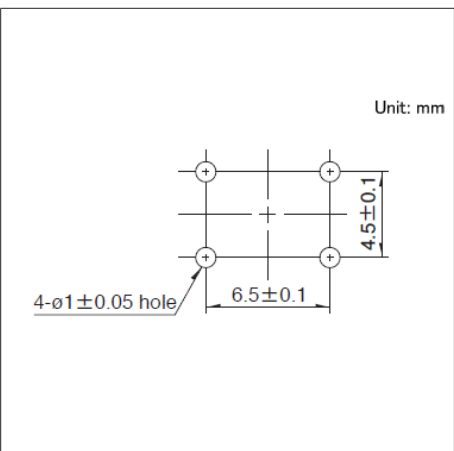
Products No.	Number of packages (pcs.)		Export package measurements (mm)
	1 case / Japan	1 case / export packing	
SKHHAJA010 SKHHALA010 SKHHQA010 SKHHAKA010 SKHHAMA010 SKHHARA010 SKHHCA010 SKHHCRA010 SKHHBVA010 SKHHBWA010 SKHHBYA010 SKHHANA010 SKHHAPA010 SKHHBSA010 SKHHCWA010 SKHHDA010 SKHHGA010 SKHHJA010 SKHHPLA010 SKHHQA010 SKHHKA010 SKHHMA010 SKHHRA010 SKHHQA010 SKHHQA010 SKHHQA010 SKHHNA010 SKHHPA010 SKHHQA010 SKHHQA010 SKHHMA010 SKHHLA010 SKHHLA010 SKHHLA010 SKHHLA010 SKHHLA010 SKHHLA010 SKHHLA010 SKHHLA010 SKHHLA010 SKHHUFA010	10,000	30,000	309 x 476 x 347
SKHHDTA010 SKHHDUA010 SKHHDHA010 SKHHDJA010 SKHHNHA010 SKHHNJA010 SKHHNKA010	5,000	15,000	309 x 476 x 347

Drawing No. 1

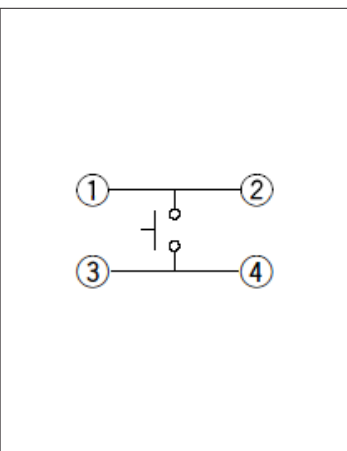
■ Dimensions



■ Mounting Hole Dimensions



■ Circuit Diagram



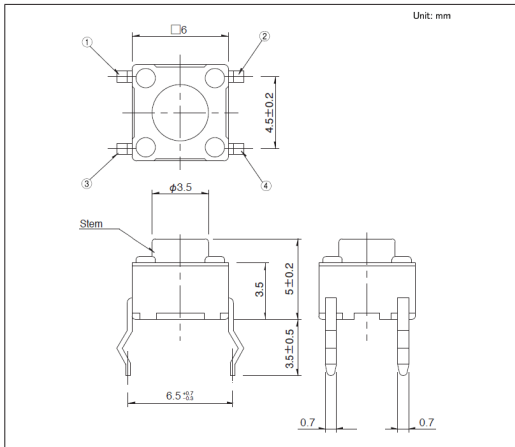
Viewed from mounting face.

TACT Switch™ Snap-in Type

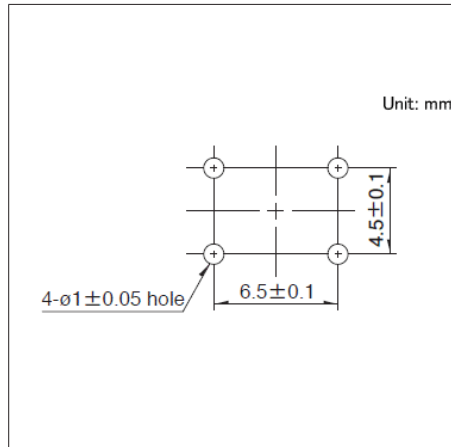
6.0mm Square (Snap-in)
SKHH Series

Drawing No.2

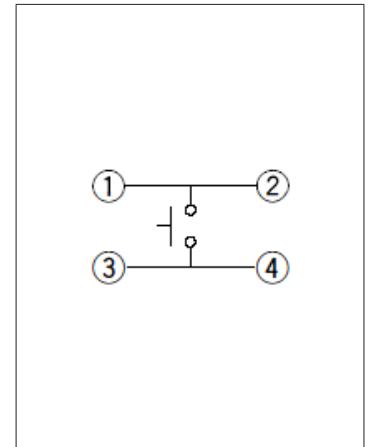
■ Dimensions



■ Mounting Hole Dimensions



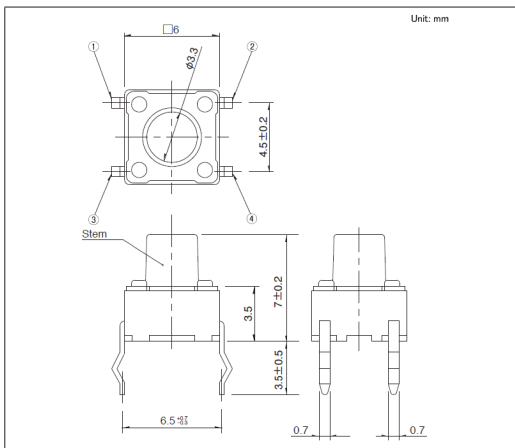
■ Circuit Diagram



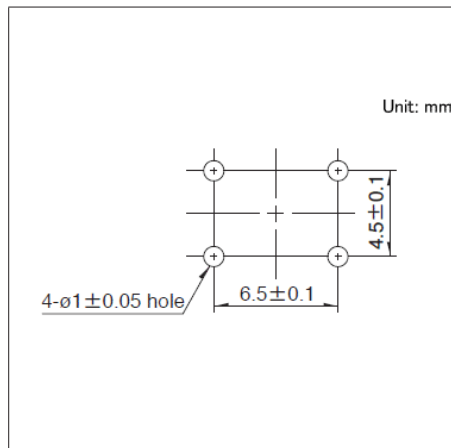
Viewed from mounting face.

Drawing No.3

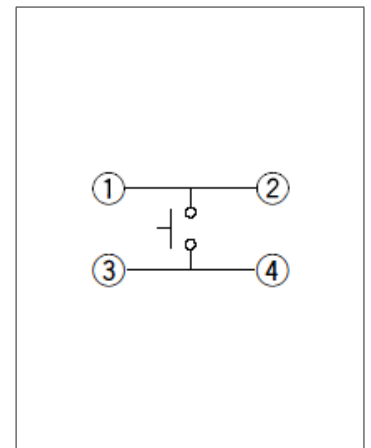
■ Dimensions



■ Mounting Hole Dimensions



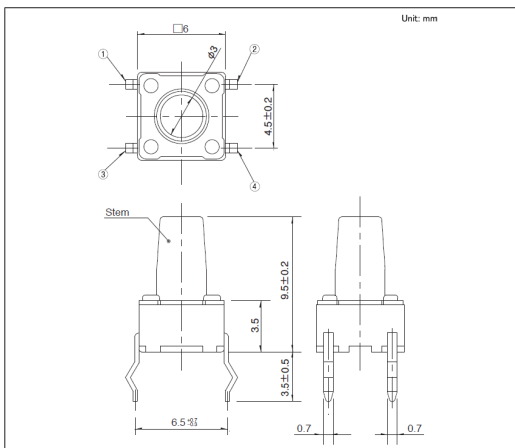
■ Circuit Diagram



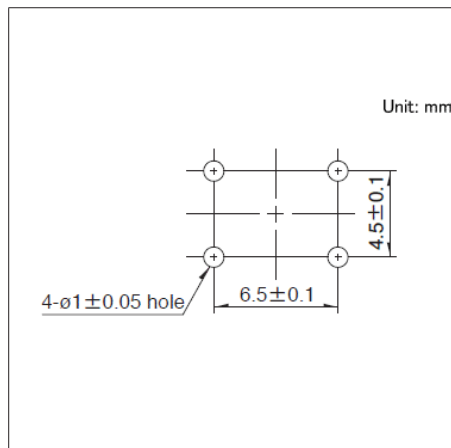
Viewed from mounting face.

Drawing No.4

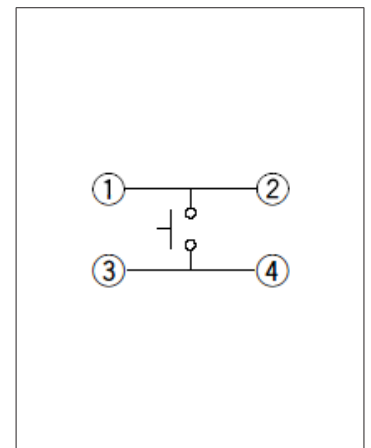
■ Dimensions



■ Mounting Hole Dimensions



■ Circuit Diagram



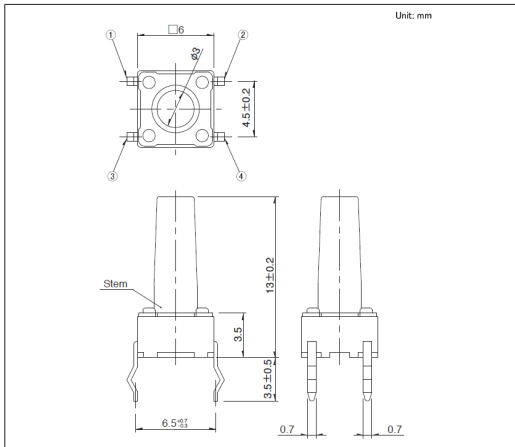
Viewed from mounting face.

TACT Switch™ Snap-in Type

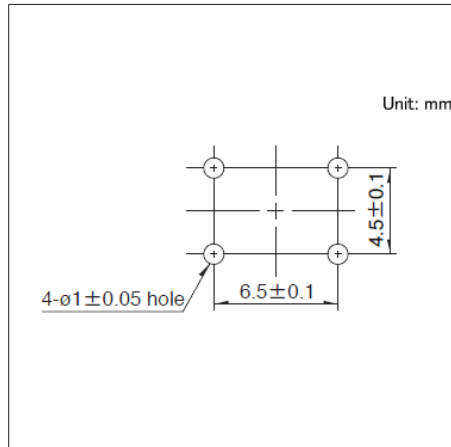
6.0mm Square (Snap-in)
SKHH Series

Drawing No.5

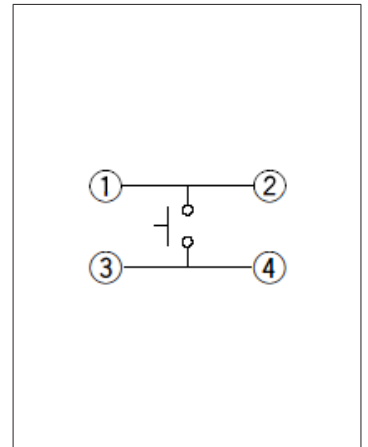
■ Dimensions



■ Mounting Hole Dimensions



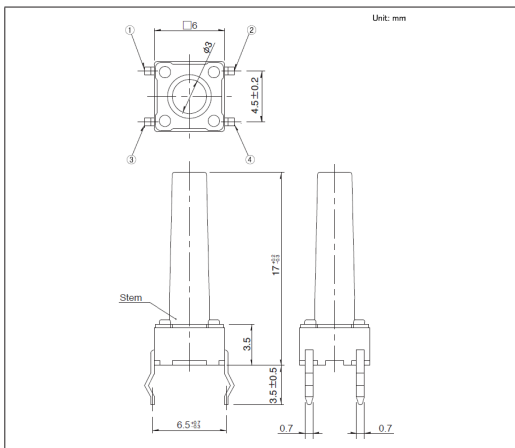
■ Circuit Diagram



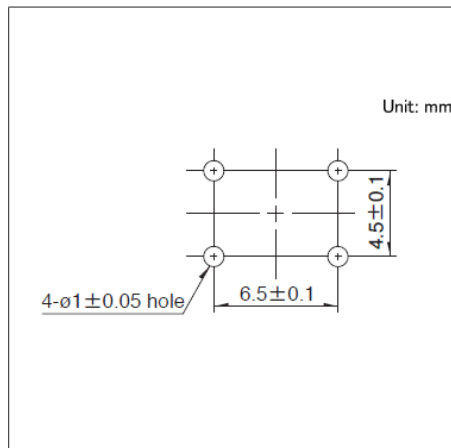
Viewed from mounting face.

Drawing No.6

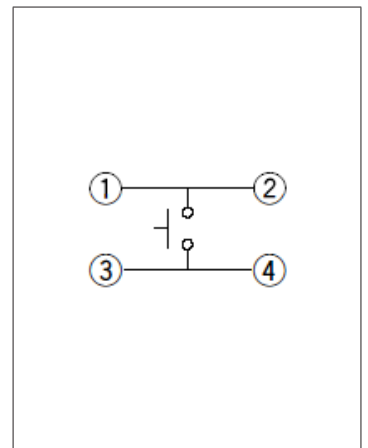
■ Dimensions



■ Mounting Hole Dimensions



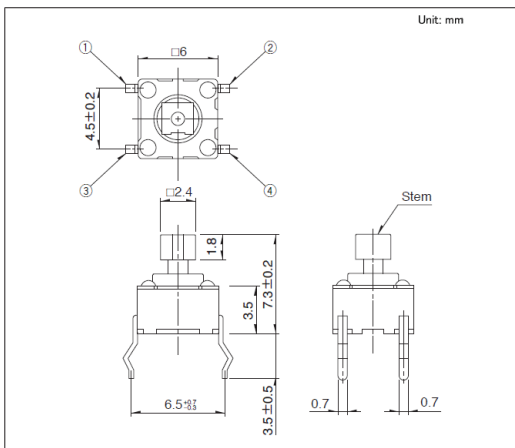
■ Circuit Diagram



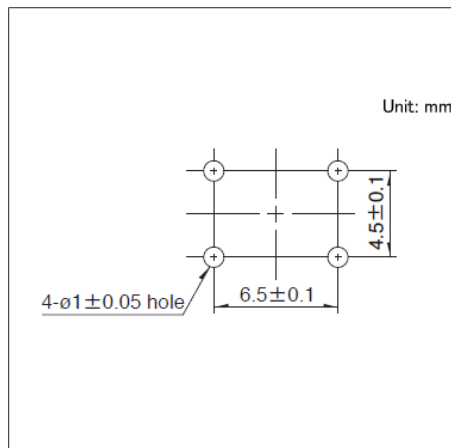
Viewed from mounting face.

Drawing No.7

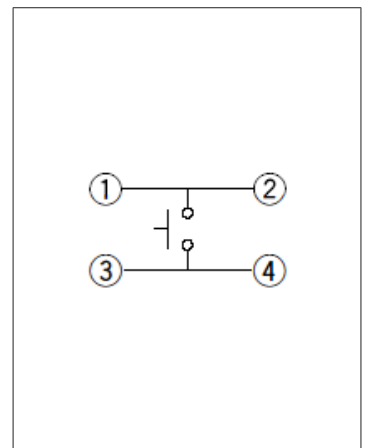
■ Dimensions



■ Mounting Hole Dimensions



■ Circuit Diagram



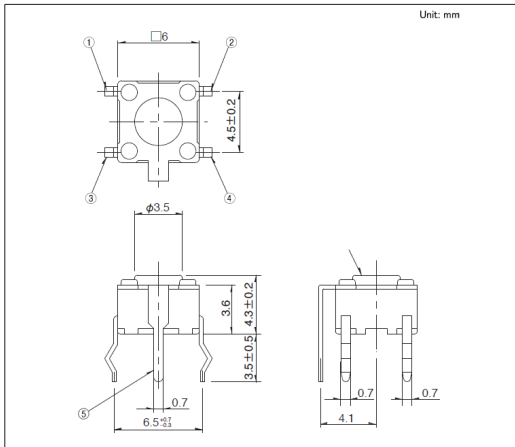
Viewed from mounting face.

TACT Switch™ Snap-in Type

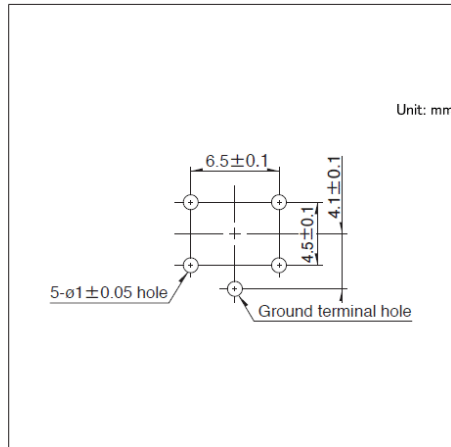
6.0mm Square (Snap-in)
SKHH Series

Drawing No.8

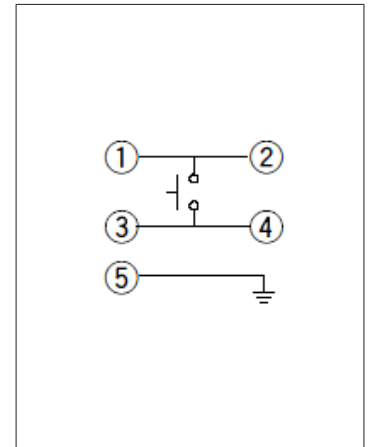
■ Dimensions



■ Mounting Hole Dimensions



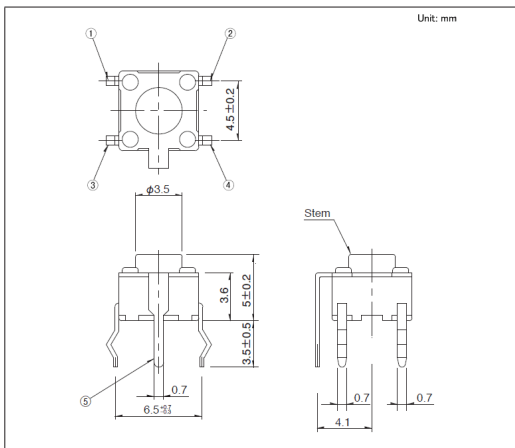
■ Circuit Diagram



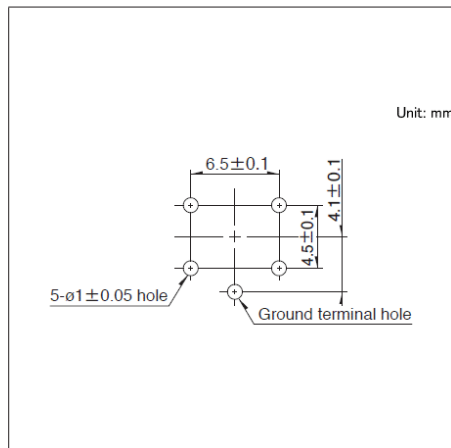
Viewed from mounting face.

Drawing No.9

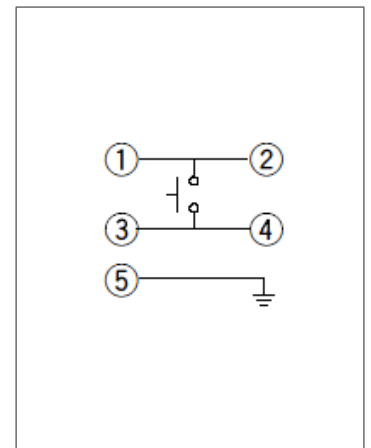
■ Dimensions



■ Mounting Hole Dimensions



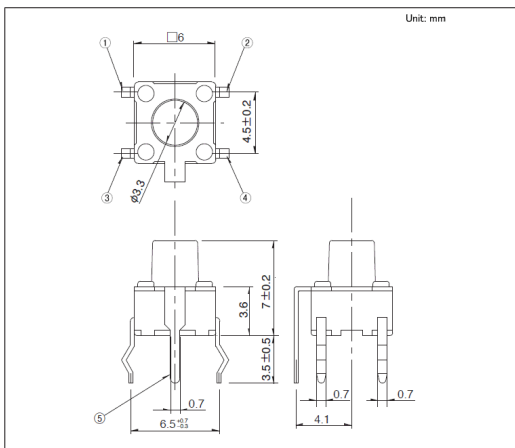
■ Circuit Diagram



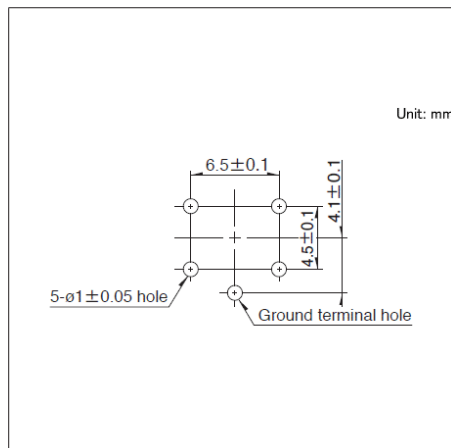
Viewed from mounting face.

Drawing No.10

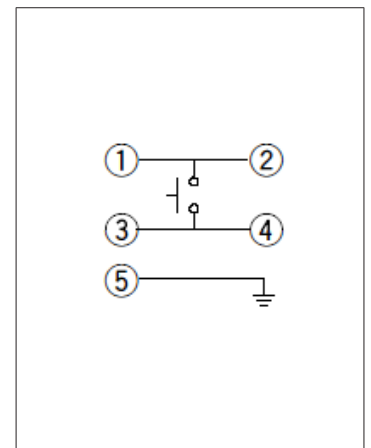
■ Dimensions



■ Mounting Hole Dimensions



■ Circuit Diagram



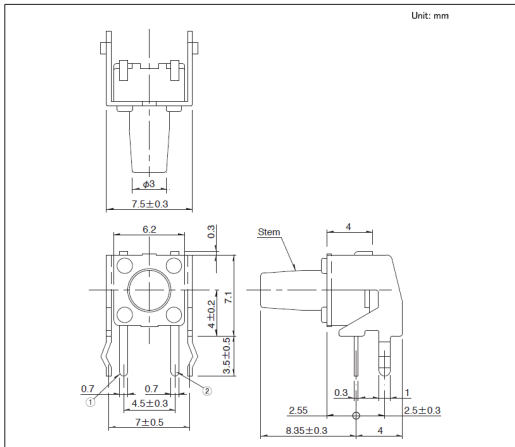
Viewed from mounting face.

TACT Switch™ Snap-in Type

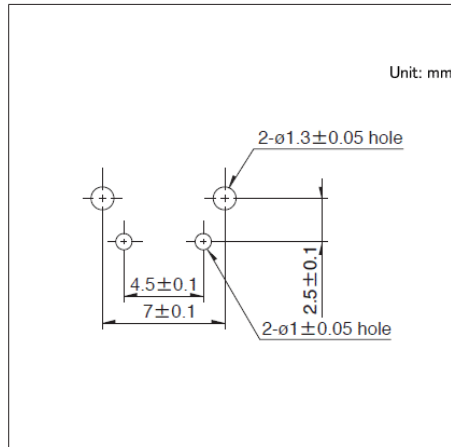
6.0mm Square (Snap-in)
SKHH Series

Drawing No.14

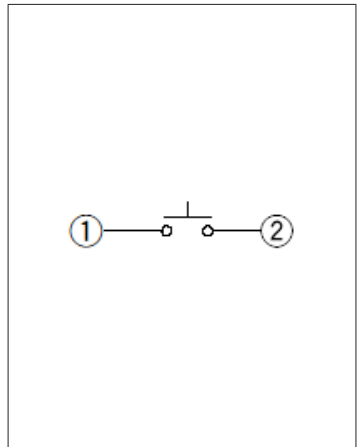
■ Dimensions



■ Mounting Hole Dimensions



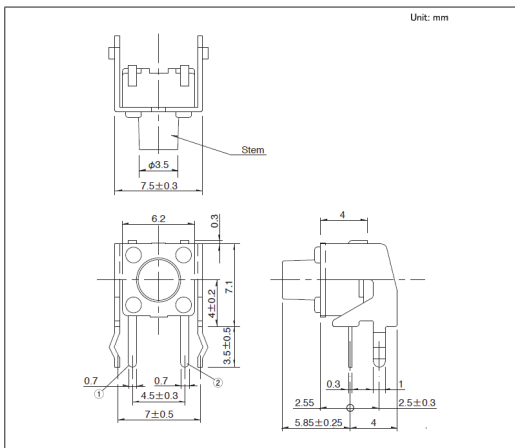
■ Circuit Diagram



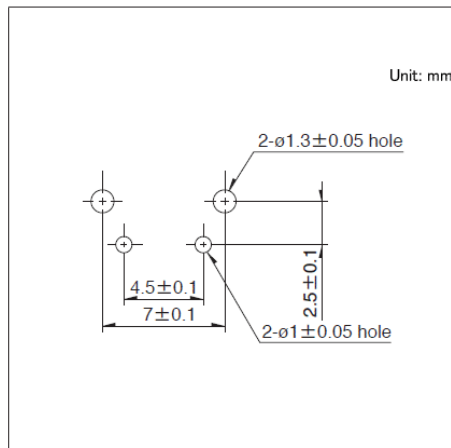
Viewed from mounting face.

Drawing No.15

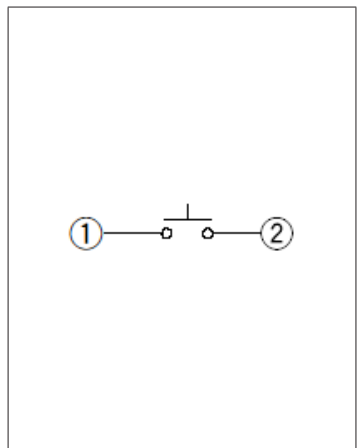
■ Dimensions



■ Mounting Hole Dimensions



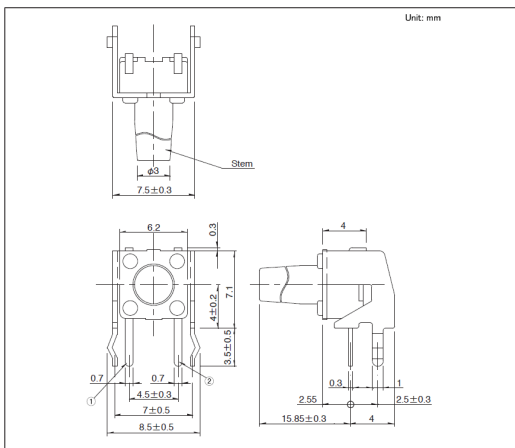
■ Circuit Diagram



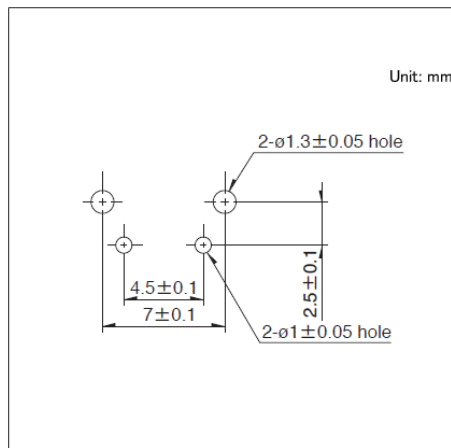
Viewed from mounting face.

Drawing No.16

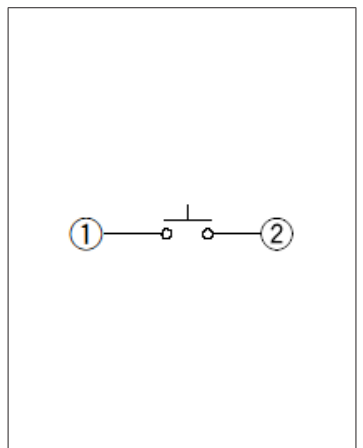
■ Dimensions



■ Mounting Hole Dimensions



■ Circuit Diagram



Viewed from mounting face.