

SMD THERMISTOR 20021086-07

Specifications

- 100,000 Ohms Resistance @ +25°C
- Tape and Reel packaging for automatic placement
- 1% tolerance @ +25°C
- Temperature range -40°C to +150°C

Features

- Glass coated for excellent durability and heat resistance
- Excellent solderability with five surface Tin plated electrodes
- Tape & Reel packaging for automatic placement
- Low cost
- RoHS Compliant

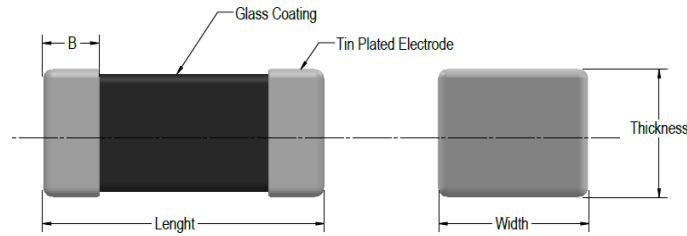
Applications

- Temperature sensing, control and detection
- Temperature compensation of transistors, IC's and crystal oscillators in mobile telecommunication equipment.
- Consumer electronics
- Automotive electronics
- LCD controls

[CLICK HERE >](#)
CONNECT WITH A SPECIALIST

SMD THERMISTOR 20021086-07

Dimensions



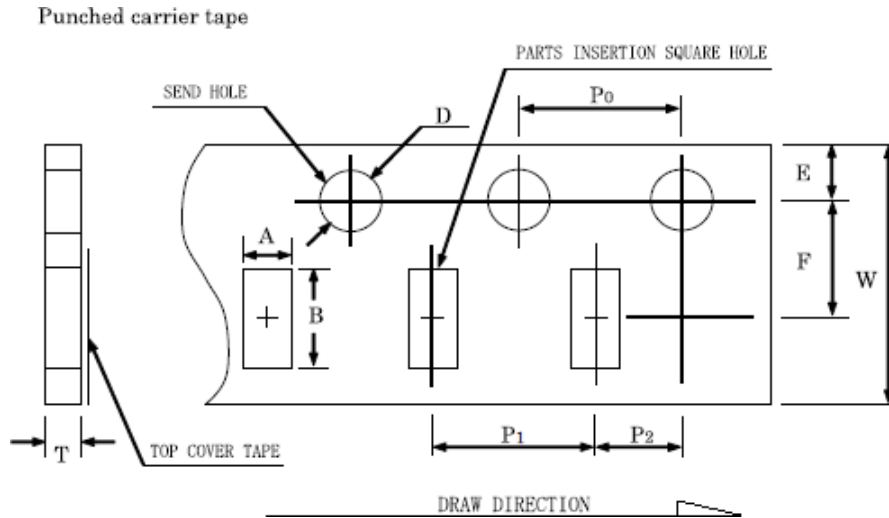
Length	Width	Thickness	B
1.0±0.2	0.5±0.1	0.5±0.1	0.25 ±0.1

Product specifications

Parameters	Units	Value
Nominal Resistance at +25°C	Ohms	100,000
Tolerance at +25°C	%	± 1
Beta Value 25/85	K	3990
Tolerance on Beta Value 25/85	%	± 1
Max. rated wattage in still air	mW	24
Dissipation Constant in still air	mW/°C	2.4
Operating Temperature	°C	-40 to +150

Tape dimensions

Type of taping	Carrier tape	Top cover tape	Bottom cover tape
Taping of rectangular punched carrier system	Paper	Thermal adhesion plastics	Thermal adhesion paper



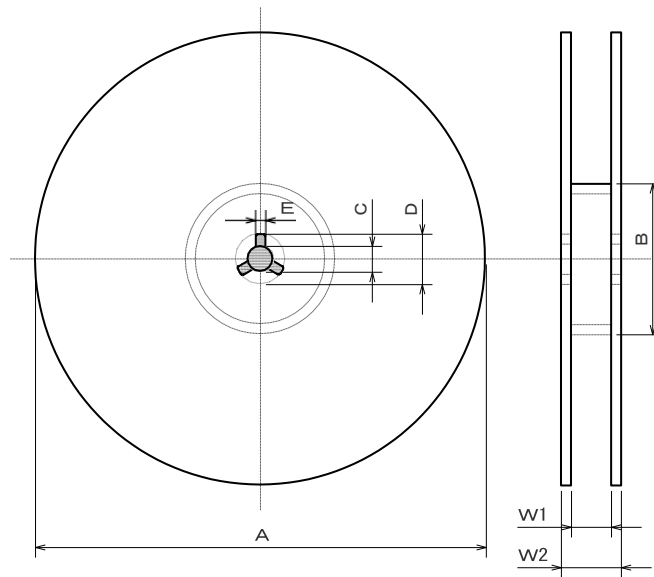
A	B	W	E	F
0.7 ± 0.05	1.2 ± 0.1	8.00 ± 0.20	1.75 ± 0.10	3.50 ± 0.05

P1	P2	P0	D	T
2.00 ± 0.05	2.00 ± 0.05	4.00 ± 0.10	1.50 ± 0.10	0.60 ± 0.04

Notes:

1. Dimensions in mm
2. Pitch tolerance over any 10 pitches of P_0 is ± 0.2 mm.

Reel dimensions



A	B	C	D	E	W1	W2
Ø 180±2.0	Ø > 60	Ø13±0.5	Ø21±0.8	2±0.5	10.0±1.5	14.0±1.5

Notes:

1. All dimensions are in mm
2. Material: Polystyrene

Resistance v temperature table

Temp °C	K Ohms
-40	2912
-39	2737
-38	2574
-37	2422
-36	2279
-35	2146
-34	2021
-33	1904
-32	1794
-31	1692
-30	1596
-29	1506
-28	1421
-27	1342
-26	1267
-25	1197
-24	1131
-23	1070
-22	1011
-21	956.8
-20	905.4
-19	857.1
-18	811.5
-17	768.7
-16	728.3
-15	690.2
-14	654.3
-13	620.5
-12	588.6
-11	558.5
-10	530.1
-9	503.2
-8	477.9
-7	454
-6	431.3
-5	410
-4	389.7
-3	370.6
-2	352.5
-1	335.4
0	319.2
1	303.9
2	289.3
3	275.6
4	262.5
5	250.1
6	238.4
7	227.3

Temp °C	K Ohms
8	216.7
9	206.7
10	197.2
11	188.2
12	179.6
13	171.5
14	163.8
15	156.4
16	149.4
17	142.8
18	136.5
19	130.4
20	124.7
21	119.3
22	114.1
23	109.2
24	104.5
25	100
26	95.72
27	91.65
28	87.77
29	84.08
30	80.56
31	77.21
32	74.01
33	70.97
34	68.07
35	65.3
36	62.66
37	60.14
38	57.73
39	55.43
40	53.24
41	51.15
42	49.14
43	47.23
44	45.4
45	43.65
46	41.98
47	40.38
48	38.85
49	37.39
50	35.99
51	34.64
52	33.36
53	32.13
54	30.95
55	29.82

Temp °C	K Ohms
56	28.73
57	27.7
58	26.7
59	25.74
60	24.83
61	23.95
62	23.11
63	22.3
64	21.52
65	20.77
66	20.05
67	19.37
68	18.7
69	18.07
70	17.46
71	16.87
72	16.3
73	15.76
74	15.24
75	14.73
76	14.25
77	13.78
78	13.33
79	12.9
80	12.49
81	12.09
82	11.7
83	11.33
84	10.97
85	10.63
86	10.29
87	9.976
88	9.668
89	9.372
90	9.086
91	8.81
92	8.544
93	8.287
94	8.039
95	7.8
96	7.569
97	7.345
98	7.13
99	6.922
100	6.72
101	6.526
102	6.338
103	6.156

Temp °C	K Ohms
104	5.981
105	5.811
106	5.647
107	5.488
108	5.335
109	5.186
110	5.042
111	4.903
112	4.768
113	4.638
114	4.512
115	4.389
116	4.271
117	4.156
118	4.045
119	3.938
120	3.833
121	3.732
122	3.634
123	3.539
124	3.447
125	3.358
126	3.272
127	3.188
128	3.106
129	3.027
130	2.95
131	2.876
132	2.804
133	2.734
134	2.666
135	2.6
136	2.536
137	2.473
138	2.413
139	2.354
140	2.297
141	2.242
142	2.188
143	2.135
144	2.084
145	2.035
146	1.987
147	1.94
148	1.895
149	1.85
150	1.807

Ordering information

Part Number	Description	Ω @ +25°C	MOQ*
20021086-07	0402 SMD Thermistor – Taped & Reeled	100,000	10,000

*For orders less than MOQ, please contact Sales

[CLICK HERE >](#)
CONNECT WITH A SPECIALIST

NORTH AMERICA

Measurement Specialties, Inc., a
TE Connectivity Company 1711
139th Lane NW Andover, MN
55304
Tel: +1 763 689 4870
Fax: +1 763 689 5033
customer care.ando@te.com

EUROPE

Measurement Specialties (Europe),
Ltd., a TE Connectivity Company
Ballybrit Business
ParkGalway Ireland
Tel : +353-91-753238
Fax : +353-91-770789
Email: customer care.glwy@te.com

ASIA

Measurement Specialties (China), Ltd., a TE
Connectivity Company
No. 368 Wulian 1st Road
Gongxing Town Shuangliu,
Chengdu Sichuan, 610200
China
Tel: +86 (0) 28 8573 9088
Fax: +86 (0) 28 8573 9070
Email: customer care.chdu@te.com

te.com/sensors

TE Connectivity, TE, TE Connectivity (logo) and Every Connection Counts are trademarks. All other logos, products and/or company names referred to herein might be trademarks of their respective owners

The information given herein, including drawings, illustrations and schematics which are intended for illustration purposes only, is believed to be reliable. However, TE Connectivity makes no warranties as to its accuracy or completeness and disclaims any liability in connection with its use. TE Connectivity's obligations shall only be as set forth in TE Connectivity's Standard Terms and Conditions of Sale for this product and in no case will TE Connectivity be liable for any incidental, indirect or consequential damages arising out of the sale, resale, use or misuse of the product. Users of TE Connectivity products should make their own evaluation to determine the suitability of each such product for the specific application.

© 2021 TE Connectivity Corporation. All Rights Reserved.

Version # 08/2021

