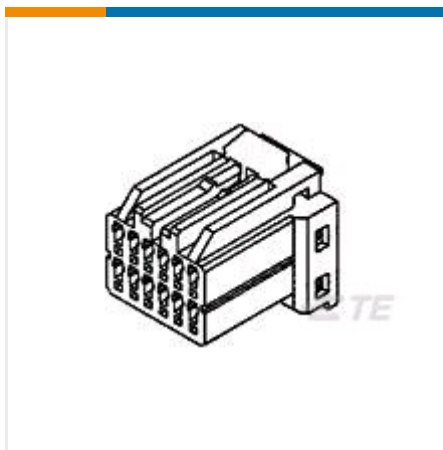




**CONNECTORS**

AUTOMOTIVE, TRUCK, BUS, & OFF-ROAD HOUSINGS



✓ Active

TE CONNECTIVITY (TE)

## 040 MLC PLUG HSG 20P

AMP | Multilock Connector System

174910-2

TE Internal Number: 174910-2

EU RoHS Compliant

EU ELV Compliant

**Connector Style** Housing for female terminals

**Mating Tab Width** 1 mm [ .039 in ]

**Connector System** Wire-to-Wire

**Number of Positions** 20

**Centerline (Pitch)** 2.5 mm [ .098 in ]

↓ **PRODUCT DRAWING**  
English

↓ **3D PDF**

### DOCUMENTATION

Product Drawings

#### **20 POS. PLUG HSG...040 SERIES MULTILOCK I/O CONN. (NON INERTIA TYPE)**

PDF (TIFF AVAILABLE)

**English**

CAD Files

#### **Customer View Model**

2D\_DXF.ZIP

**English**

#### **3D PDF**

PDF

**3D**

## Customer View Model

3D\_IGS.ZIP

English

## Customer View Model

3D\_STP.ZIP

English

---

Product Specifications

Product Specification

### **.040 SERIES MULTI LOCK I/O CONNECTOR (NON INERTIA TYPE)**

PDF

English

### **.040 SERIES MULTI LOCK I/O CONNECTOR (NON INERTIA TYPE)**

TIF

English

### **.040 SERIES MULTI LOCK I/O CONNECTOR (NON INERTIA TYPE)**

TIF

Japanese

### **.040 SERIES MULTI LOCK I/O CONNECTOR (NON INERTIA TYPE)**

PDF

Japanese

### **.040 Series Multi Lock I/O Connector MK-II**

PDF

Japanese

### **SMT .040 SERIES MULTI-LOCK I/O CONNECTOR**

TIF

Japanese

### **SMT .040 SERIES MULTI-LOCK I/O CONNECTOR**

PDF

Japanese

Qualification Test Report

### **.040 Multi-Lock Connector (Non Inertia Type)**

PDF

English

### **.040 Multi-Lock Connector (Non Inertia Type)**

TIF

English

---

Instruction Sheets

Instruction Sheet (non U.S.)

### **040 SERIES MULTI-LOCK CONNECTOR**

PDF

English

### **040 SERIES MULTI-LOCK CONNECTOR**

TIF

English

---

Please review product documents or [contact us](#) for the latest agency approval information.

Please Note: Use the Product Drawing for all design activity.

---

#### Product Type Features

**Connector Style** Housing for female terminals  
**Connector System** Wire-to-Wire  
**Sealable** No  
**Hybrid Connector** No  
**Primary Locking Feature** Integrated in Housing  
**Strain Relief** No  
**Row-to-Row Spacing** 3 mm [.118 in]

---

#### Configuration Features

**Number of Positions** 20  
**Number of Rows** 2

---

#### Electrical Characteristics

**Nominal Voltage Architecture (V)** 12  
**Operating Voltage (VDC)** 12

---

#### Body Features

**Color** Black  
**Cable Exit Angle** 180°  
**Body Material** PBT

---

#### Contact Features

**Mating Tab Width** 1 mm [.039 in]

---

#### Mechanical Attachment

**Mounting Feature** No  
**Terminal Position Assurance** Yes  
**Polarized** Yes

---

#### Housing Features

**Centerline (Pitch)** 2.5 mm [.098 in]

---

#### Dimensions

**Width** 27.1 mm [1.067 in]  
**Height** 17.7 mm [.697 in]  
**Length** 21 mm [.827 in]

---

#### Usage Conditions

**Operating Temperature Range** -30 – 105 °C [-22 – 221 °F]

---

Operation/Application

**Circuit Application** Signal

---

Industry Standards

**UL Flammability Rating** UL 94-HB

---

Packaging Features

**Packaging Method** Bag

**Packaging Quantity** 100

---

Other

**Connector Position Assurance Capable** No

**Serviceable** Yes

---

## PRODUCT COMPLIANCE



Statement of Compliance

**Statement of Compliance**

PDF

---