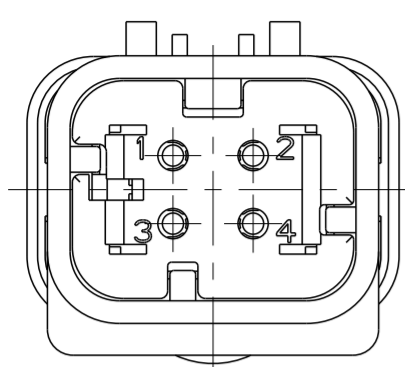
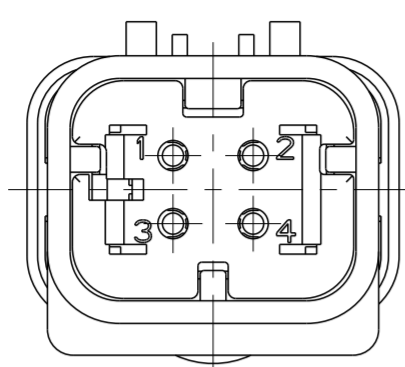


THIS DRAWING IS UNPUBLISHED
 RELEASED FOR PUBLICATION 2004
 © COPYRIGHT 2004 BY TYCO ELECTRONICS CORPORATION ALL RIGHTS RESERVED.

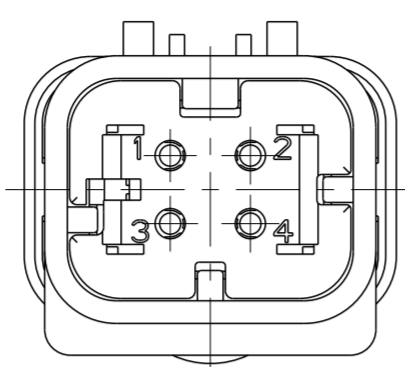
REVISIONS				
P	LTR	DESCRIPTION	DATE	APVD
C		REVISED PER ECR-10-020319	13OCT2010	HMR TM
D		REVISED PER ECR-14-000206	26DEC2013	PV RB
DI		REVISED PER ECR-24-201925	05MAR2024	HY TK



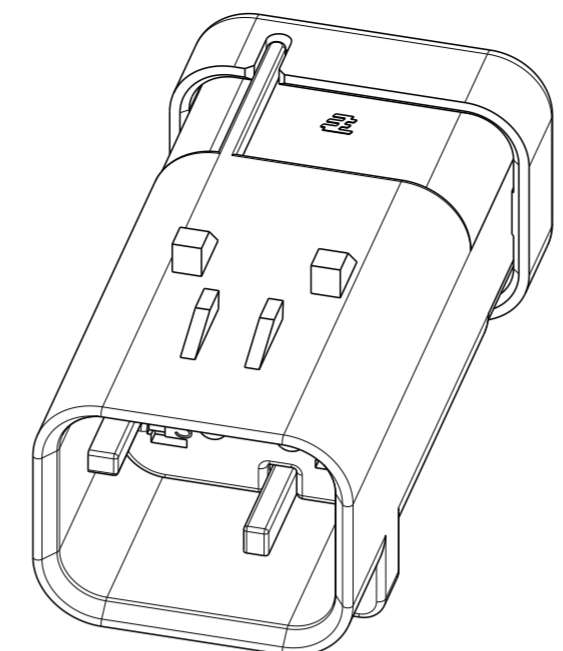
1717674-2
SCALE 2:1



1717674-3
SCALE 2:1



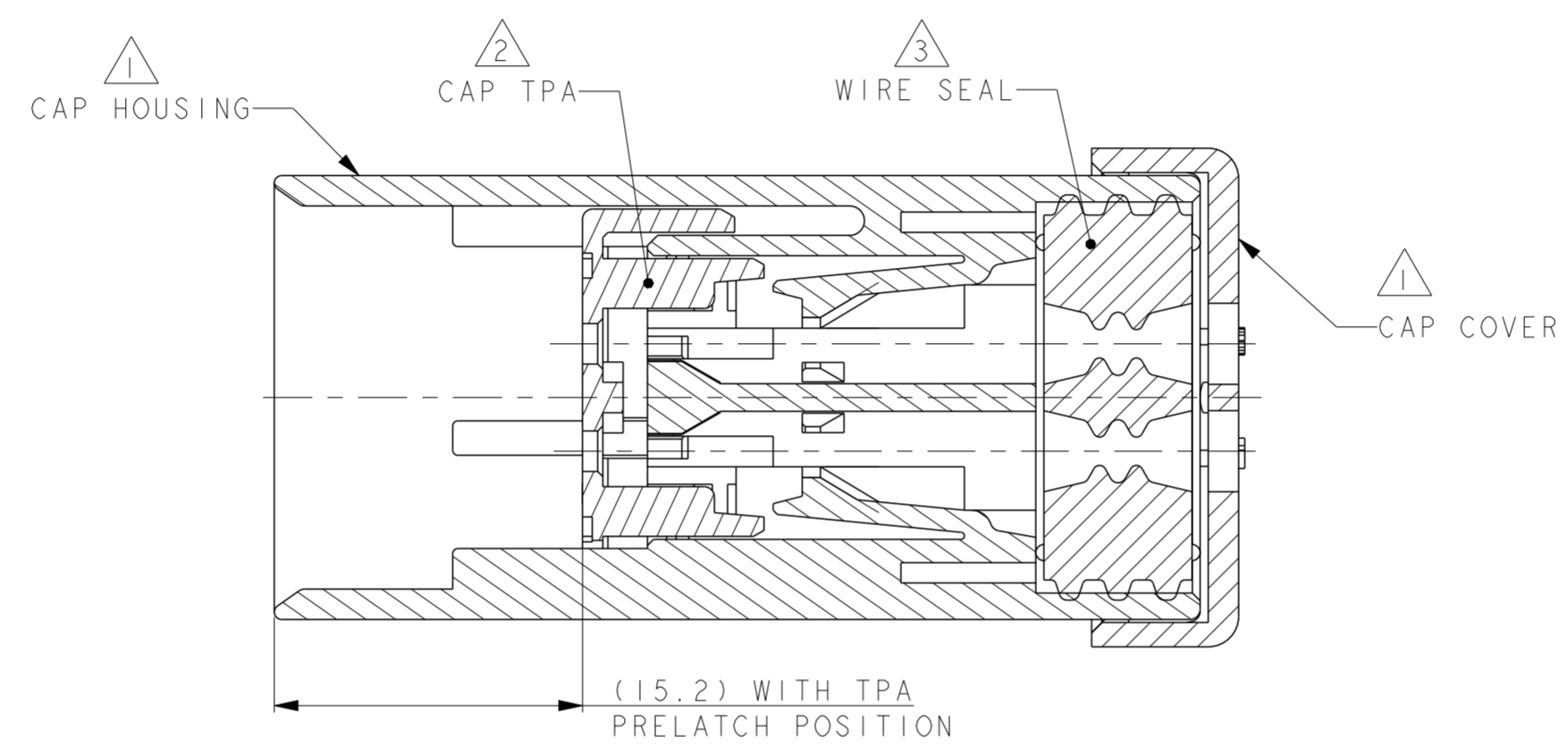
1717674-4
SCALE 2:1



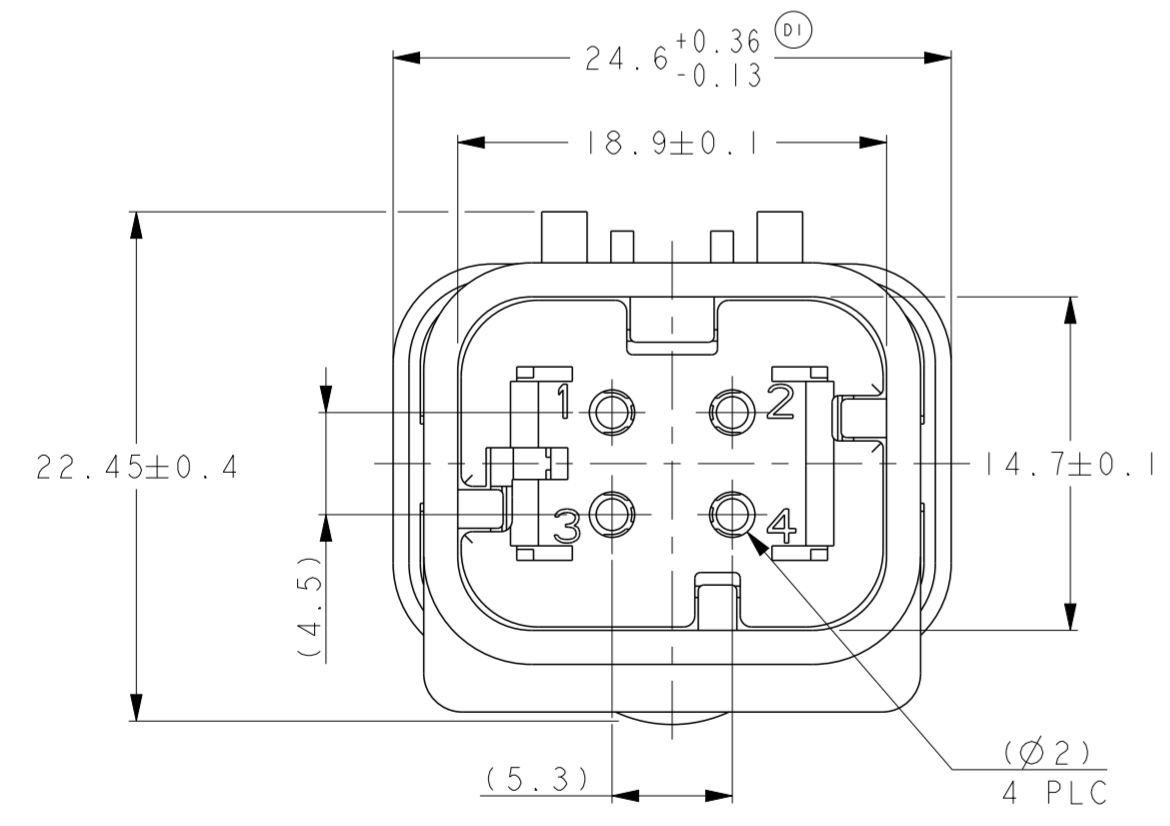
SCALE 2:1

- 1 MATERIAL: 15% GLASS FILLED THERMOPLASTIC
COLOR: BLACK
- 2 MATERIAL: 15% GLASS FILLED THERMOPLASTIC
COLOR: (SEE TABLE)
- 3 MATERIAL: SILICONE
COLOR: GREEN

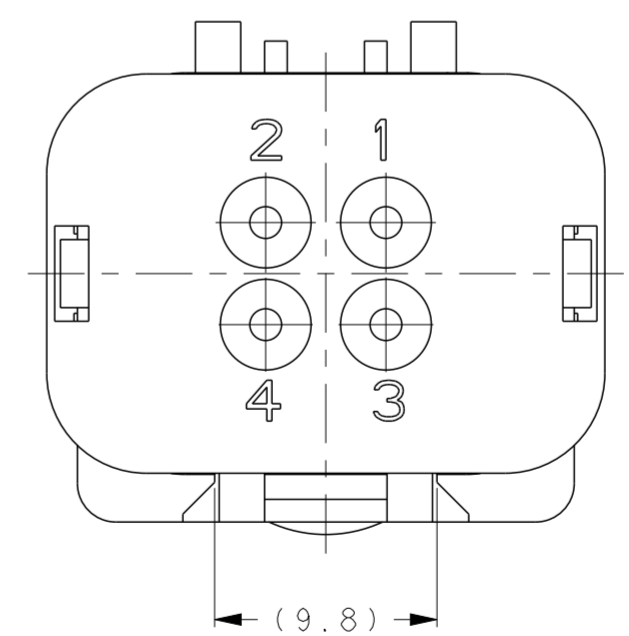
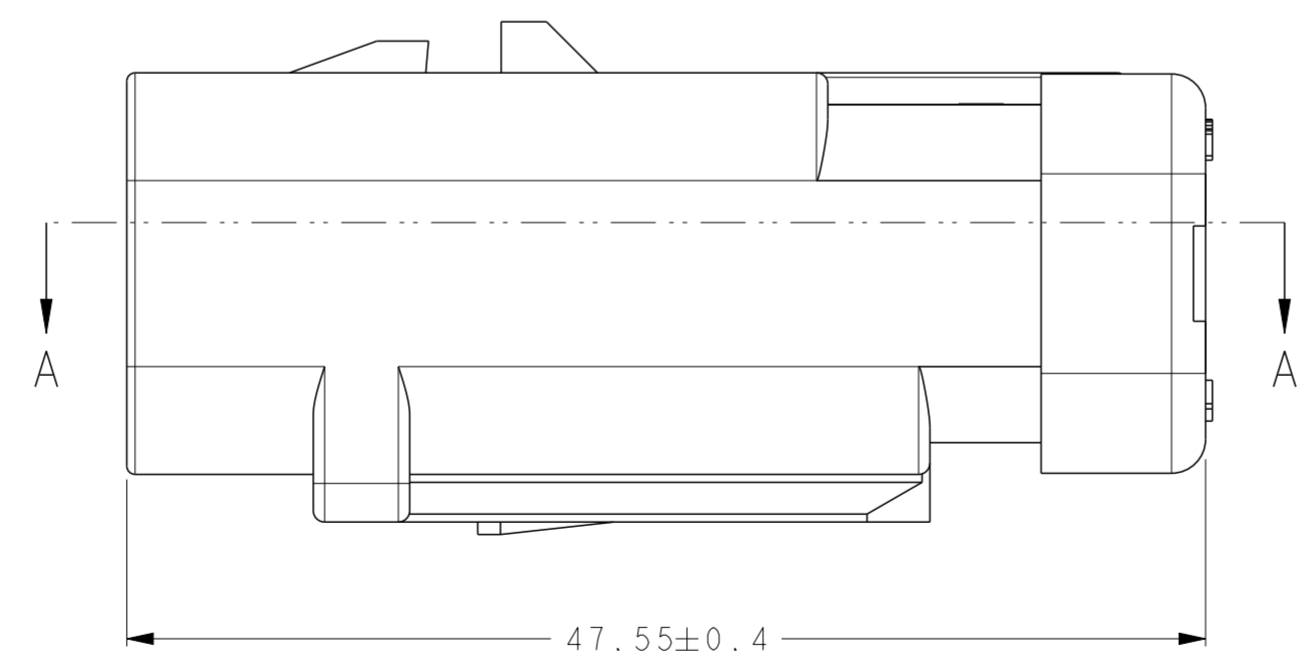
4. WIRE INSULATION RANGE: $\varnothing 2.24 \sim \varnothing 3.94$



A - A
OPEN POSITION



1717674-1 SHOWN



GREEN	1717674-4
YELLOW	1717674-3
GRAY	1717674-2
RED	1717674-1
TPA COLOR	PART NUMBER

THIS DRAWING IS A CONTROLLED DOCUMENT.		DWN Y. KATO	15JAN2004	STE TE Connectivity													
DIMENSIONS: mm		CHK S. MANABE	15JAN2004														
TOLERANCES UNLESS OTHERWISE SPECIFIED:		APVD S. MANABE	15JAN2004														
<table border="0"> <tr><td>0 PLC</td><td>±</td></tr> <tr><td>1 PLC</td><td>±</td></tr> <tr><td>2 PLC</td><td>±</td></tr> <tr><td>3 PLC</td><td>±</td></tr> <tr><td>4 PLC</td><td>±</td></tr> <tr><td>ANGLES</td><td>±</td></tr> <tr><td>FINISH</td><td>±</td></tr> </table>		0 PLC	±		1 PLC	±	2 PLC	±	3 PLC	±	4 PLC	±	ANGLES	±	FINISH	±	PRODUCT SPEC 108-2184
0 PLC	±																
1 PLC	±																
2 PLC	±																
3 PLC	±																
4 PLC	±																
ANGLES	±																
FINISH	±																
MATERIAL		APPLICATION SPEC 114-13065	SIZE A20779	DRAWING NO C-1717674													
		WEIGHT	CUSTOMER DRAWING	RESTRICTED TO													
		SCALE 3:1	SHEET 1 OF 1	REV DI													